

# TUBE•LINE™

Tubeline Manufacturing Limited  
6455 Reid Woods Drive RR #4  
Elmira, Ontario, Canada N3B 2Z3

Email: [sales@tubeline.ca](mailto:sales@tubeline.ca)

Fax: 519.669.5808

Tel: 519.669.9488

Toll-free (North America): 1.888.856.6613

[www.tubeline.ca](http://www.tubeline.ca)

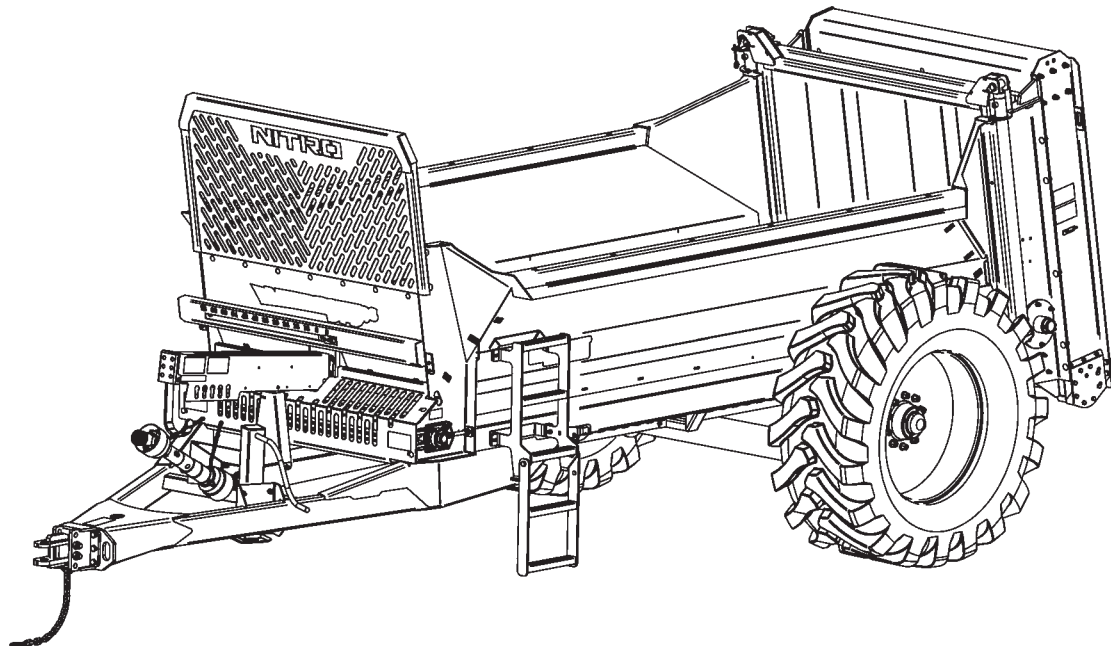
# Parts Manual

Keep this manual with the machine at all times.

## NITRO

### Manure Spreader

# Nitro 375RS



# Parts Manual

Thank you for choosing the Tubeline 375RS Manure Spreader. Our hope is that it will give you many years of productive service. This machine is designed to wrap a continuous line of round bales in a film of plastic.

## Warranty and Limitation of Liability

All equipment is sold subject to mutual agreement that it is warranted by the company to be free from defects of materials and workmanship. But the company shall not be liable for special, indirect or consequential, damages of any kind under this contract or otherwise. The company's liability shall be limited exclusively to replacing or repairing without charge, at its factory or elsewhere, at its discretion.

Any material, or workmanship defects which become apparent within one year from the date on which the equipment was purchased, and the company shall have no liability for damages of any kind. The buyer by the acceptance of the equipment will assume all liability for any damages, which may result from the use or misuse by his employees or others.

## Nitro Apron Chain Warranty



Tubeline Manufacturing Ltd offers a limited lifetime non-transferable warranty to the original purchaser of a Nitro manure spreader. This warranty applies to chain link breakage and covers parts only. Should a connecting link fail, only it will be replaced. However, if a standard link breaks the complete chain will be provided. Freight and labor to install is the responsibility of the purchaser and is not covered under the terms of the limited warranty.

Tubeline Manufacturing Ltd reserves the right to request the return of the failed chain.

Warranty coverage is null and void unless Warranty Registration form has been completely filled in and is on file at Tubeline Manufacturing Ltd.

## Manuals

Parts manuals are printed and shipped with machines as they leave the manufacturer. Your machine may include parts or features not yet included in the initially shipped manual. The latest manual version can be found at [www.tubeline.ca/support](http://www.tubeline.ca/support). Tubeline reserves the right to update and change manuals as seen fit. Dealers are informed of any pressing changes/ modifications. They can help you with any questions regarding replacement parts.

## Serial Number

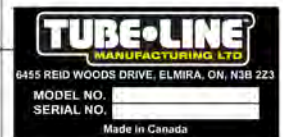
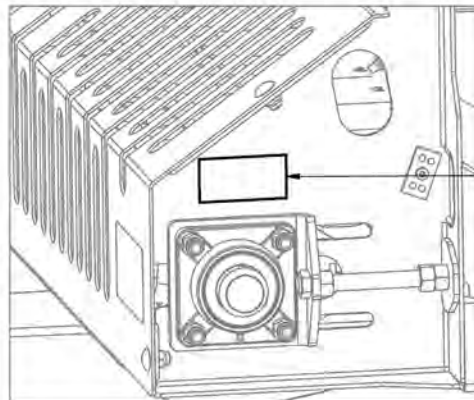
The implement serial number is located above the front left apron drive bearing. This number helps us to track changes and improvements and must be mentioned when ordering parts or requesting service. For your convenience, a space has been provided inside the front cover of this manual to record the serial number, model number, purchase date, and dealer name.

Model No: \_\_\_\_\_ N375RS \_\_\_\_\_

Serial No: \_\_\_\_\_

Date Purchased: \_\_\_\_\_

Dealer Name: \_\_\_\_\_



# Table of Contents

|   |            |
|---|------------|
| <b>Parts Manual</b>   | <b>I</b>   |
| Warranty and Limitation of Liability                        | I          |
| Nitro Apron Chain Warranty                                  | I          |
| Manuals   | I          |
| Serial Number   | I          |
| Safety Sign Locations                                       | IV         |
| Safety Decals   | V          |
| Safety Decals   | VI         |
| Model Decal Locations                                       | VII        |
| Model Decals  | VIII       |
| ISO Safety Decal Locations                                  | IX         |
| ISO Safety Decals   | X          |
| <b>Section 2 - Parts Breakdowns &amp; Lists</b>             | <b>2-1</b> |
| Front Components  | 2-2        |
| Front Shields - Up to SN 16NS010                            | 2-4        |
| Front Shields- SN 16NS011 to Current                        | 2-6        |
| Front Apron Drive   | 2-8        |
| Driveline - Up to SN 16NS010                                | 2-10       |
| Driveline - SN 16NS011 to Current                           | 2-12       |
| Side Shields - Up to SN 19NRS200                            | 2-14       |
| Endgate - Up to SN 20NRS249                                 | 2-16       |
| Endgate - SN 21NRS201 to Current                            | 2-18       |
| Beaters (37590) - Up to SN 20NRS249                         | 2-20       |
| Beater Cross Beam (40684) - Up to SN 20NRS249               | 2-22       |
| Optional Flange Paddle Kit (41504) - Up to SN 20NRS249      | 2-24       |
| Beaters (46925) - SN 21NRS001 to Current                    | 2-26       |
| Beater Greaselines  | 2-28       |
| Optional Flange Paddle Kit (47553) - SN 21NRS001 to Current | 2-29       |
| Rear Apron Drive  | 2-30       |
| Floor & Side Boards   | 2-32       |
| Single Axle   | 2-34       |
| Tandem Axle - Standard                                      | 2-36       |
| Tandem Axle - Optional Brake Compatible                     | 2-38       |
| Apron Runners   | 2-40       |
| Hydraulic Layout  | 2-42       |
| <b>Section 3 - Optional Features</b>                        | <b>3-1</b> |
| Optional Kit Numbers  | 3-1        |
| Hitch Options   | 3-2        |
| Mechanical Light Kit (43622) - SN 19NRS200 to Current       | 3-4        |
| Mechanical Light Kit (43622) - Up to SN 18NRS254            | 3-6        |
| Lights - Up to SN 18NRS244                                  | 3-8        |
| Manual Light Kit - Up to SN 18NRS244                        | 3-10       |
| Hydraulic Light Kit - Up to SN 18NRS244                     | 3-11       |
| Light Kit Hydraulics - Up to SN 18NRS244                    | 3-12       |
| Light Kit Wiring Harness                                    | 3-13       |
| N375SB - Single Axle Brake Kit                              | 3-14       |
| N375TB - Tandem Axle Brake Kit                              | 3-15       |
| Scale Axle - Single   | 3-16       |
| Scale Axle - Tandem   | 3-17       |
| N750LC (GT400) / N750LCNT460 Scales                         | 3-18       |
| N750LCNT560 Scales  | 3-19       |
| N750LCNT8000 Scales   | 3-20       |

|  |            |
|--|------------|
| Flow Control Mounting . . . . .  | 3-21       |
| Manual Flow Control Hydraulic Layout . . . . .                             | 3-22       |
| Electric Flow Control Hydraulic Layout - Original . . . . .                | 3-23       |
| Electric Flow Control Hydraulic Layout - Current. . . . .                  | 3-24       |
| Electric Flow Control Wiring . . . . .                                     | 3-25       |
| Endgate Indicator - 45861 . . . . .  | 3-26       |
| <b>Section 4 - Option - Poultry Beaters</b>                                | <b>4-1</b> |
| Poultry Beaters - Frame . . . . .  | 4-1        |
| Poultry Beaters - Endgate . . . . .  | 4-3        |
| Poultry Beaters - Beaters . . . . .  | 4-5        |
| Poultry Beaters - Drivelines. . . . .                                      | 4-7        |
| Poultry Beaters - Spinners. . . . .  | 4-9        |
| <b>Section 5 - PTOs</b>  | <b>5-1</b> |
| 30839 - PTO Shaft - Primary Shaft for Manure Spreader N375-N600 . . . . .  | 5-2        |
| 30840 - PTO Slip Clutch for Manure Spreader . . . . .                      | 5-4        |
| 30841 - PTO Slip Clutch for Manure Spreader . . . . .                      | 5-6        |
| 39850 - PTO. 375,450,525,600,750 (V80-141P028359-028028-CV80-CLS). . . . . | 5-8        |
| 39852 - PTO. 600, 750,275,725 (T60-086P265011-306028-CLS(2500NM)). . . . . | 5-10       |
| <b>Section 6 - Gearboxes</b>   | <b>6-1</b> |
| 34001 - Apron Chain Gearbox - Up to SN 22NRS274 . . . . .                  | 6-2        |
| 49994 - CNM350 Apron Chain Gearbox - SN 23NRS201 - Current . . . . .       | 6-4        |
| 30847-2 - 1 3/4" Spline Shaft Gearbox (9.278.760.00) . . . . .             | 6-6        |
| 30848 - Centre Gearbox (9.290.621.00) . . . . .                            | 6-8        |
| 43856 - Beater Gearbox (Standard 540RPM). . . . .                          | 6-10       |
| 42409 - Beater Gearbox (Optional 1000RPM) . . . . .                        | 6-12       |
| <b>Torque Value Chart - Imperial</b>                                       | <b>IX</b>  |
| <b>Torque Value Chart - Metric</b>   | <b>X</b>   |



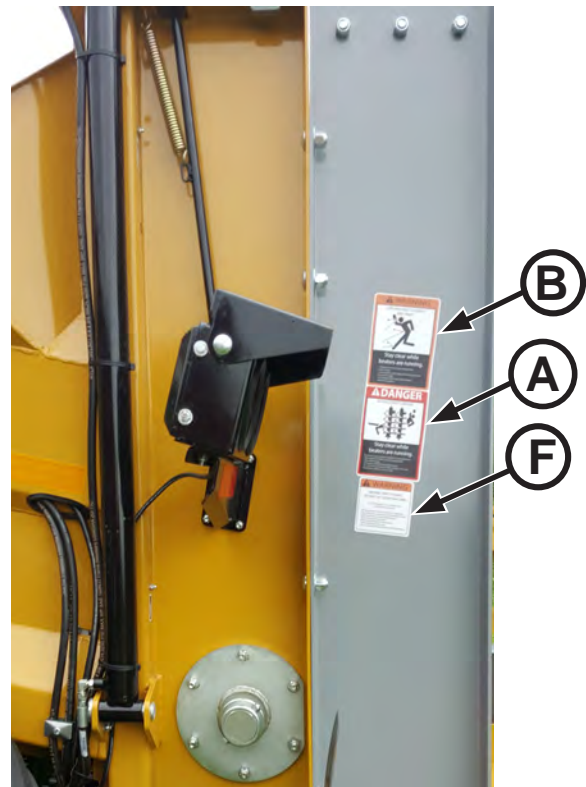
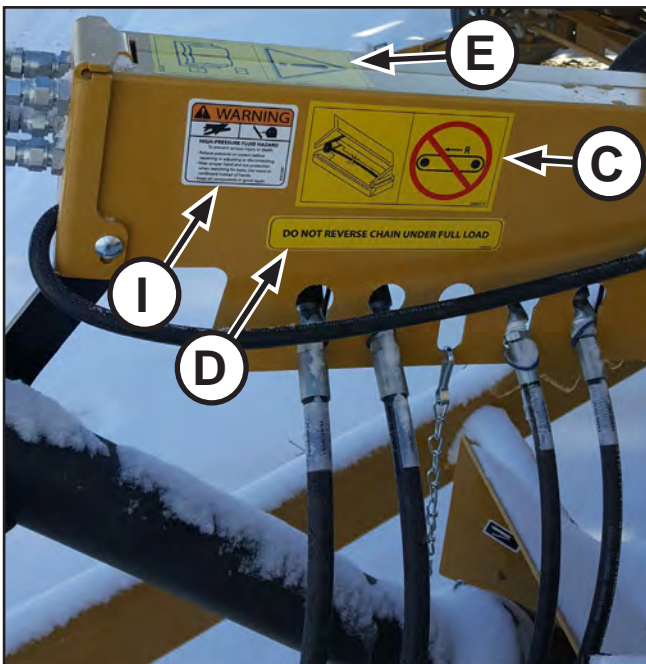
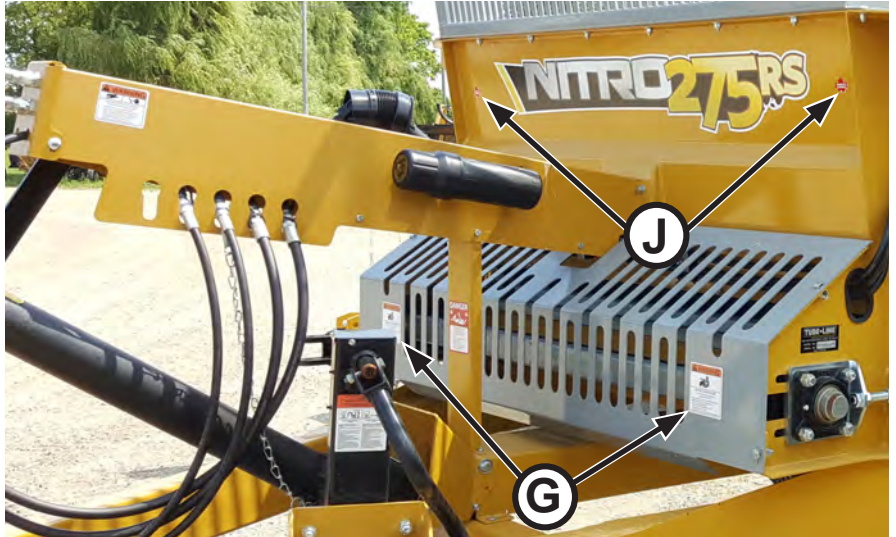
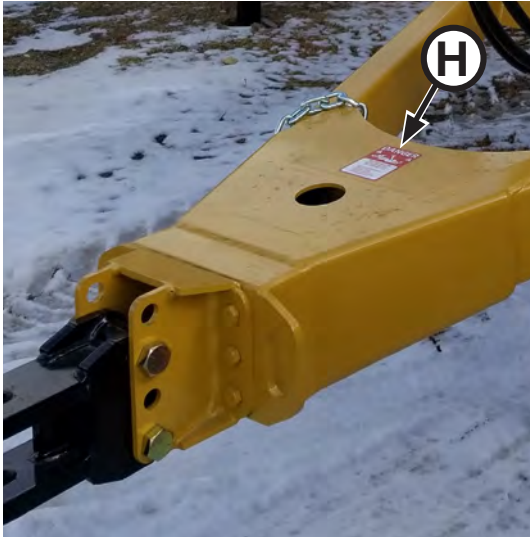
## Safety Sign Locations

The types of safety signs and locations on the equipment are shown in the illustrations that follow. Good safety requires that you familiarize yourself with the various safety signs, the types of warning, and the area, or proper function related to that area, that requires your safety awareness.

*Examples only - Actual decals may differ in text and graphic representation.*

### REMEMBER

If safety signs have been damaged, removed, become illegible or parts replaced without safety signs, new safety signs must be applied. New safety signs are available from your authorized dealer.



## Safety Decals

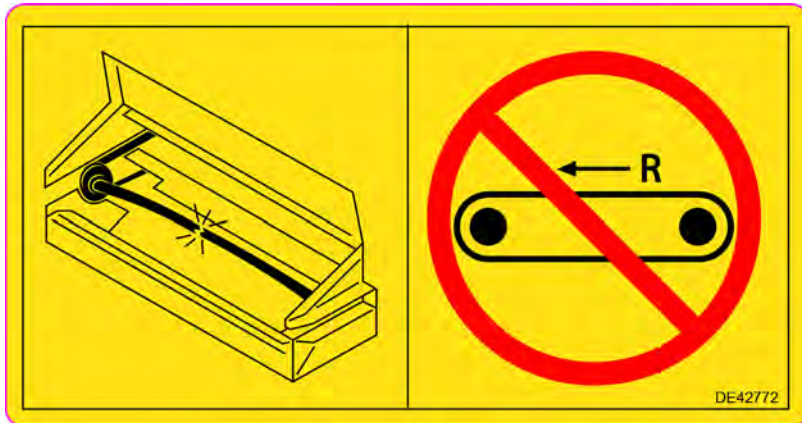
**Item - A**  
Part No: DE39395



**Item - B**  
Part No: DE39396



**Item - C**  
Part No: DE42772  
Reversing apron chain while spreader is fully loaded will cause front apron shaft breakage.



**Item - E Part No: DE42784**  
See Operators Manual for decal explanation.



**Item - D**  
Part No: DE42782 - Reversing apron chain while spreader is fully loaded will cause front apron shaft breakage.





## Safety Decals

Item - F  
Part No: DE23845



Item - G  
Part No: DE23836



Item - H  
Part No: DE39397



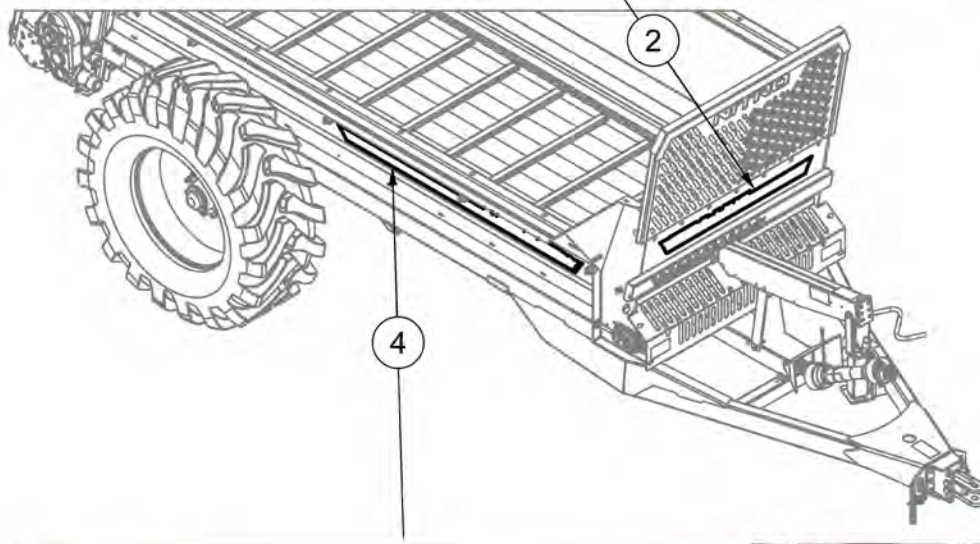
Item - I  
Part No: DE23838



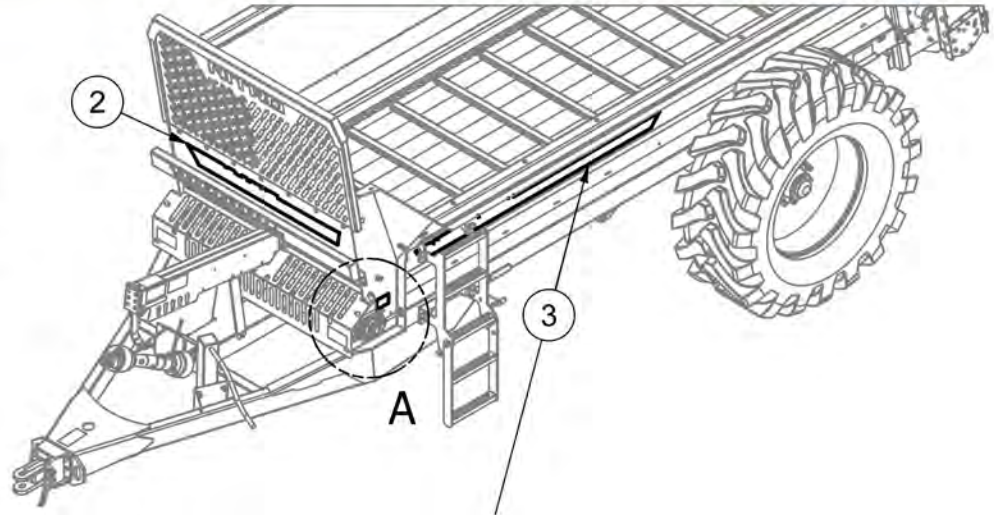
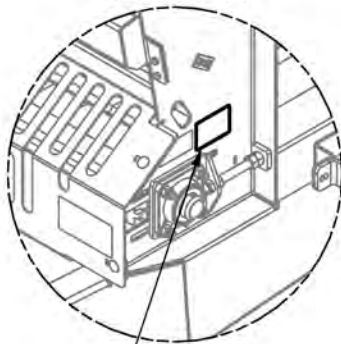
Item - J  
Part No: DECANADA



## Model Decal Locations



DETAIL A



| ITEM | QTY | PART NUMBER | DESCRIPTION               |
|------|-----|-------------|---------------------------|
| 1    | 1   | DE50035     | 375RS QR Code Decal       |
| 2    | 1   | DE43930     | Nitro 375/525 Front Decal |
| 3    | 1   | DE43931     | 375RS Left Side Decal     |
| 4    | 1   | DE43932     | 375RS Right Side Decal    |



## Model Decals

Item 1: DE50035



Item 2: DE43930



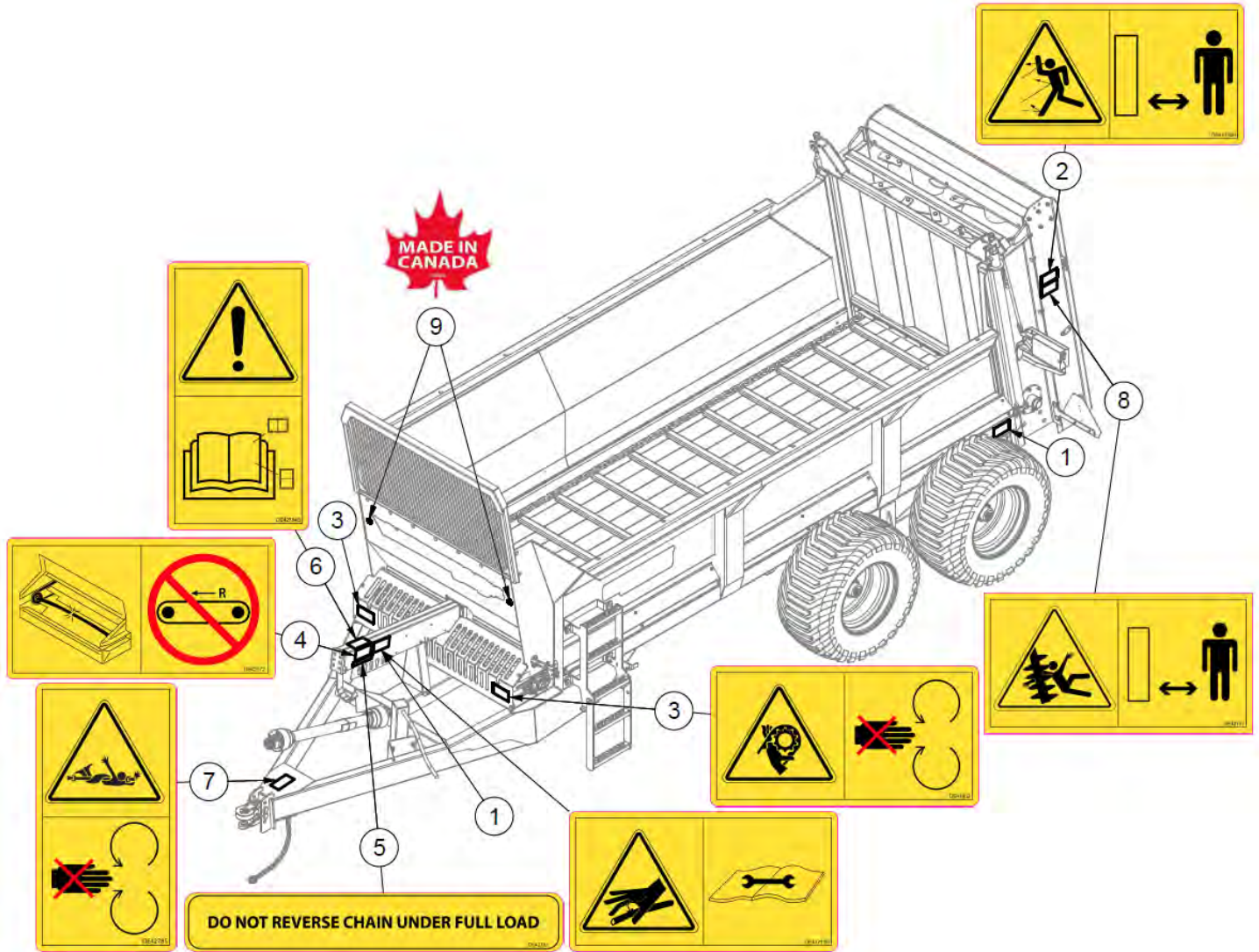
Item 3: DE43931



Item 4: DE43932



# ISO Safety Decal Locations



| ITEM | QTY | PART NUMBER | DESCRIPTION                                |
|------|-----|-------------|--|
| 1    | 6   | DE41713H    | ISO Decal - High Pressure Fluid Horizontal |
| 2    | 2   | DE41718H    | ISO Decal - Thrown Object Horizontal       |
| 3    | 2   | DE41902     | ISO Decal - Chain Entanglement             |
| 4    | 1   | DE42772     | ISO Decal - Nitro Reverse Chain            |
| 5    | 1   | DE42783     | Nitro Reverse Chain Text Decal             |
| 6    | 1   | DE42784     | ISO Decal - Read OM Decals Section         |
| 7    | 1   | DE42785     | ISO Decal - PTO Entanglement               |
| 8    | 2   | DE42787     | ISO Decal - Nitro Beater Entanglement      |
| 9    | 2   | DECANADA    | Decal Made In Canada                       |

## ISO Safety Decals



Item 1: DE41713H

*Do not use hand to check for hydraulic leaks, alternatively use a piece of cardboard.*



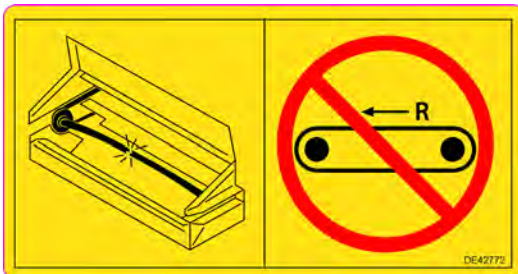
Item 2: DE41718H

*Keep clear of machine while operating. Serious injury may occur.*



Item 3: DE41902

*Keep hands clear of rotating parts while machine running. Do not operate without shielding in place. Do not wear loose clothing while operating.*



Item 4: DE42772

*Reversing apron chain while spreader is fully loaded will cause front apron shaft breakage.*



Item 5: DE42783



Item 6: DE42784

*Read Operator's manual decal section to understand safety decals.*



Item 7: DE42785

*Do not use hand to check for hydraulic leaks, alternatively use a piece of cardboard.*

Item 8: DE42787

*Stand clear of rotating beaters to avoid entanglement. Serious injury or death hazard.*



Item 9: DECANADA

*Manufacturer's country of origin.*

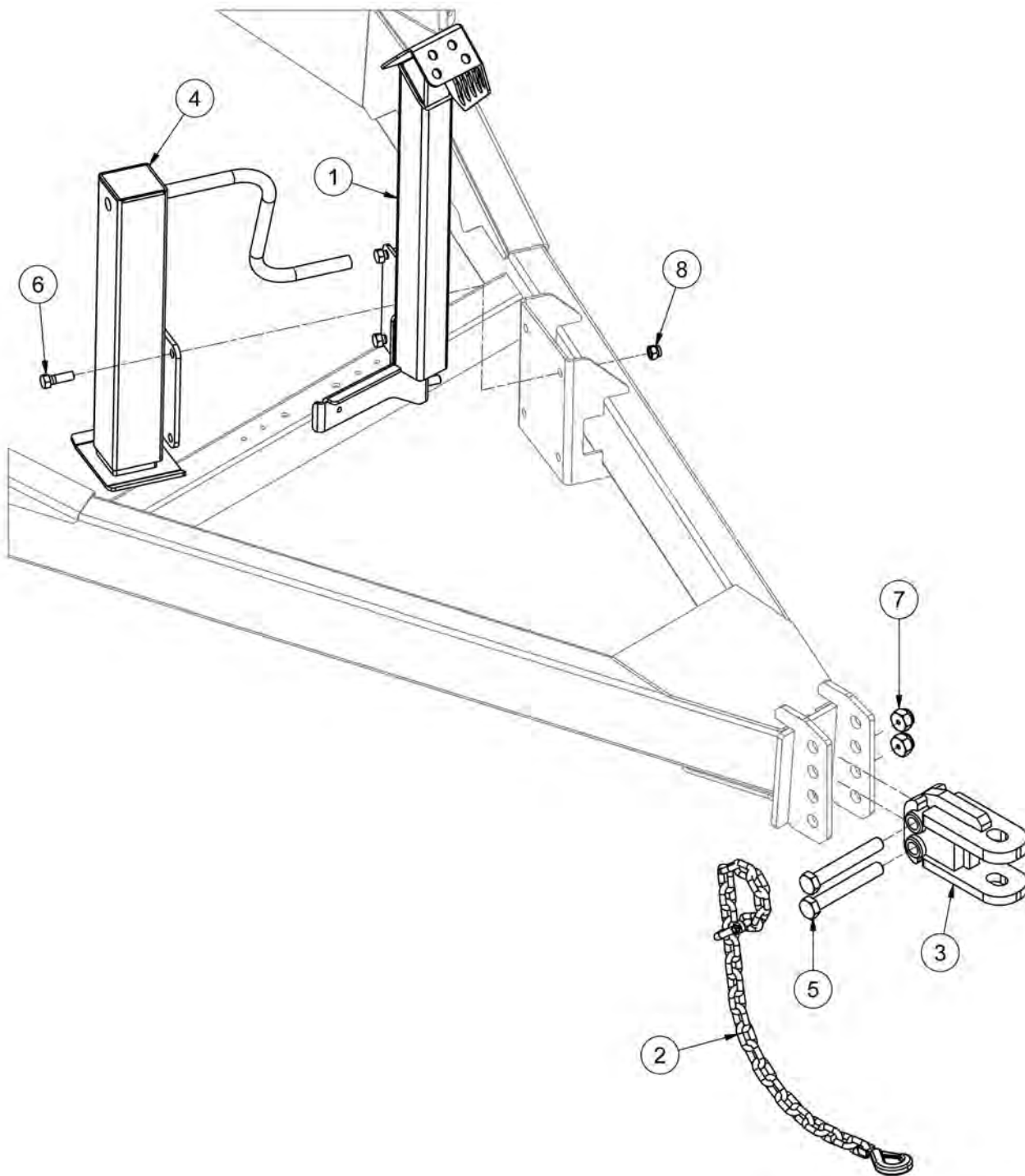




## Section 2 - Parts Breakdowns & Lists

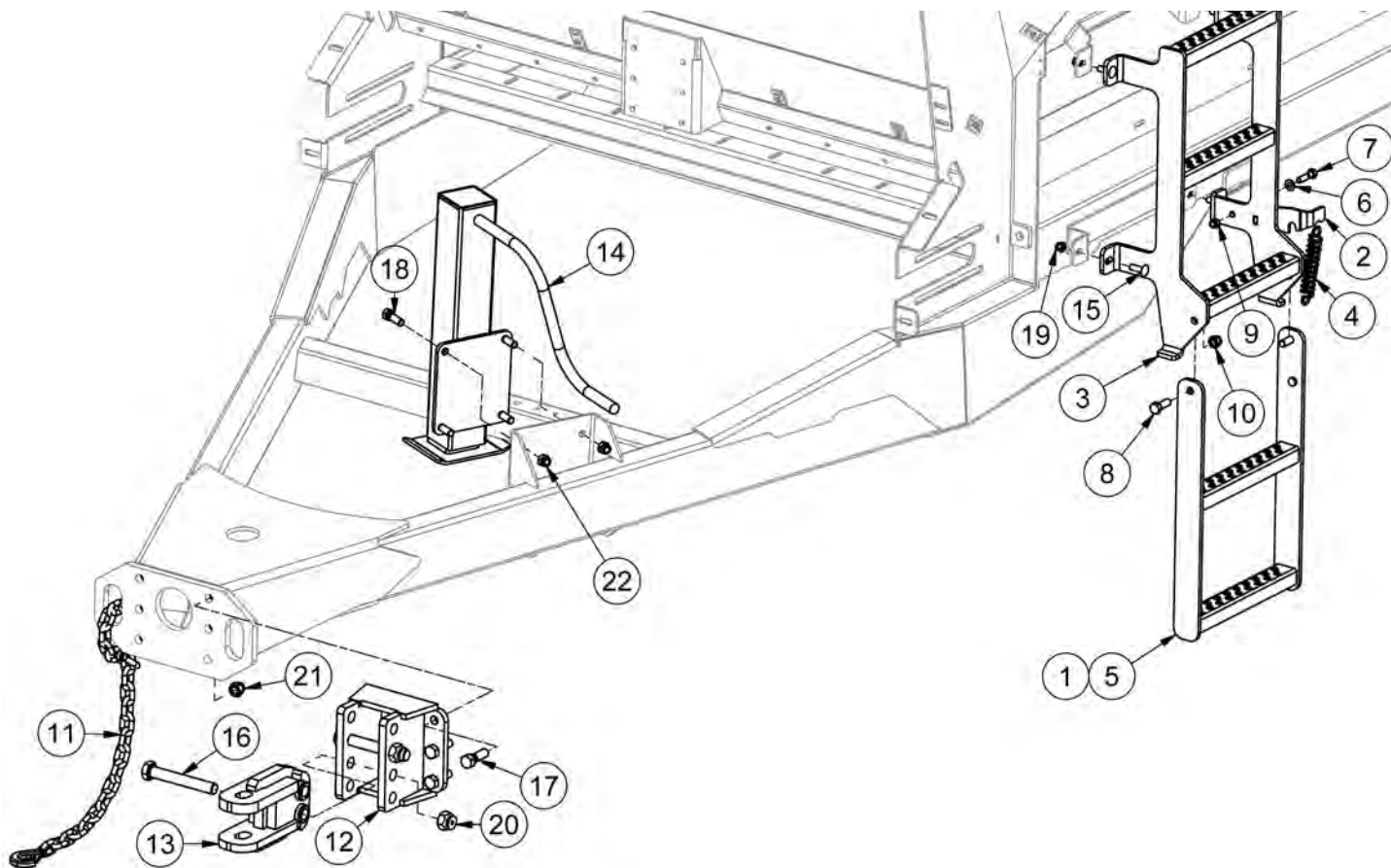
*Actual parts may vary slightly from illustrations*

## Front Components



| ITEM | QTY | PART NUMBER  | DESCRIPTION   | SERIAL BREAK                       |
|------|-----|--------------|---|------------------------------------|
| 1    | 1   | 450-129      | Hose Mount  | Used until 16NS011                 |
| 2    | 1   | 25262        | Safety Chain 20000 # 60"                            |                                    |
| 3    | 1   | 40471        | Clevis Hitch Weldment                               | <a href="#">Pg.3-2</a> for Options |
| 4    | 1   | BW-1005      | Jack  |                                    |
| 5    | 2   | HB1-14X7YZ8  | Hex Bolt 1-14x7 Grade 8 Zinc Hex Cap Screw          |                                    |
| 6    | 4   | HB5/8-11X2Z5 | Hex Bolt 5/8-11x2 Grade 5 Zinc Plated Hex Cap Screw |                                    |
| 7    | 2   | LN 1 F       | Center Locknuts (1-14) 2-Way Fine Thread            |                                    |
| 8    | 4   | LN5/8-11NCZ5 | LN 5/8-11 Zinc Plated Nylon Insert Lock Nut         |                                    |

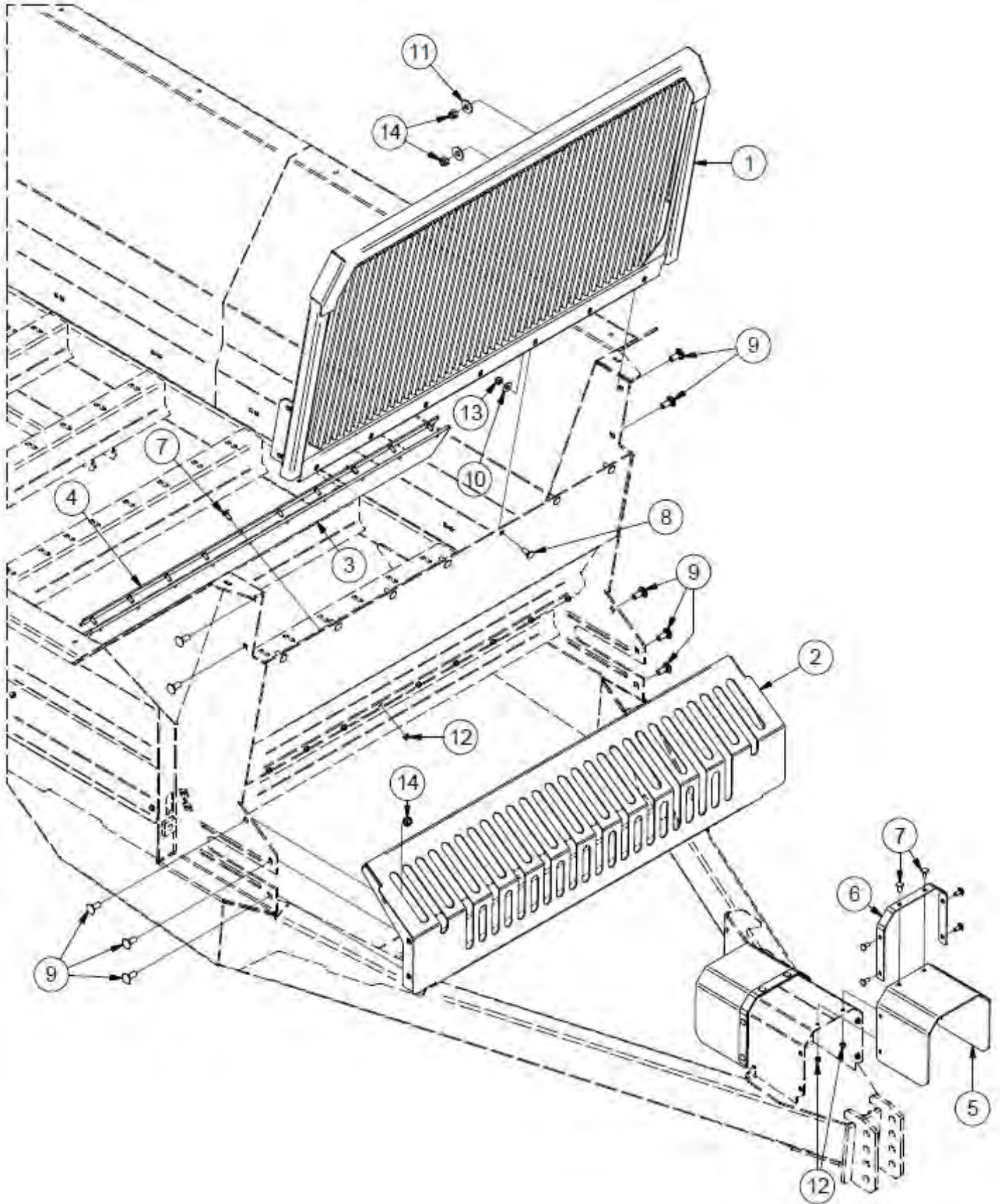
## Front Components



| ITEM | QTY | PART NUMBER     | DESCRIPTION  | NOTE               |
|------|-----|-----------------|--|--------------------|
| 1    | 1   | 600-322         | Complete Ladder Assembly                             | Inc. Items 2-10    |
| 2    | 1   | 35389           | Ladder Latch   |                    |
| 3    | 1   | 600-323         | Ladder Top Section                                   |                    |
| 4    | 1   | 700-127         | Spring   |                    |
| 5    | 1   | 700-608         | Ladder Bottom Section                                |                    |
| 6    | 1   | FW 1/2          | Flatwasher - 1/2" Zinc Plated USS                    |                    |
| 7    | 1   | HB1/2-13X2Z5    | Hex Bolt 1/2-13x2 Gr 5 Zinc Plated Hex Cap Screw     |                    |
| 8    | 2   | HB5/8-11X1.75Z5 | Hex Bolt 5/8-11x1 3/4 Gr 5 Zinc Plated Hex Cap Screw |                    |
| 9    | 1   | LN1/2-13NCZ5    | LN 1/2-13 Zinc Plated Nylon Insert Lock Nut          |                    |
| 10   | 2   | LN5/8-11NCZ5    | LN 5/8-11 Zinc Plated Nylon Insert Lock Nut          |                    |
| 11   | 1   | 25262           | Safety Chain 20000 # 60"                             |                    |
| 12   | 1   | 35451           | Pull Plate   |                    |
| 13   | 1   | 40471           | Clevis Hitch Weldment                                | Pg.3-2 for Options |
| 14   | 1   | BW-1005         | Jack   |                    |
| 15   | 4   | CB1/2-13X1.5CZ5 | Carriage Bolt - 1/2-13 x 1 1/2" Grade 5 Zinc         |                    |
| 16   | 2   | HB1-14X7YZ8     | Hex Bolt 1-14x7 Gr 8 Zinc Hex Cap Screw              |                    |
| 17   | 6   | HB3/4-10X2.5Z5  | Hex Bolt 3/4-10x2 1/2 Gr 5 Zinc Plated Hex Cap Screw |                    |
| 18   | 4   | HB5/8-11X2Z5    | Hex Bolt 5/8-11x2 Gr 5 Zinc Plated Hex Cap Screw     |                    |
| 19   | 4   | LN1/2-13NCZ5    | LN 1/2-13 Zinc Plated Nylon Insert Lock Nut          |                    |
| 20   | 2   | LN1-14NFZ5      | Center Locknuts (1-14) 2-Way Fine Thread             |                    |
| 21   | 6   | LN3/4-10NCZ5    | LN 3/4-10 Zinc Plated Nylon Insert Lock Nut          |                    |
| 22   | 4   | LN5/8-11NCZ5    | LN 5/8-11 Zinc Plated Nylon Insert Lock Nut          |                    |



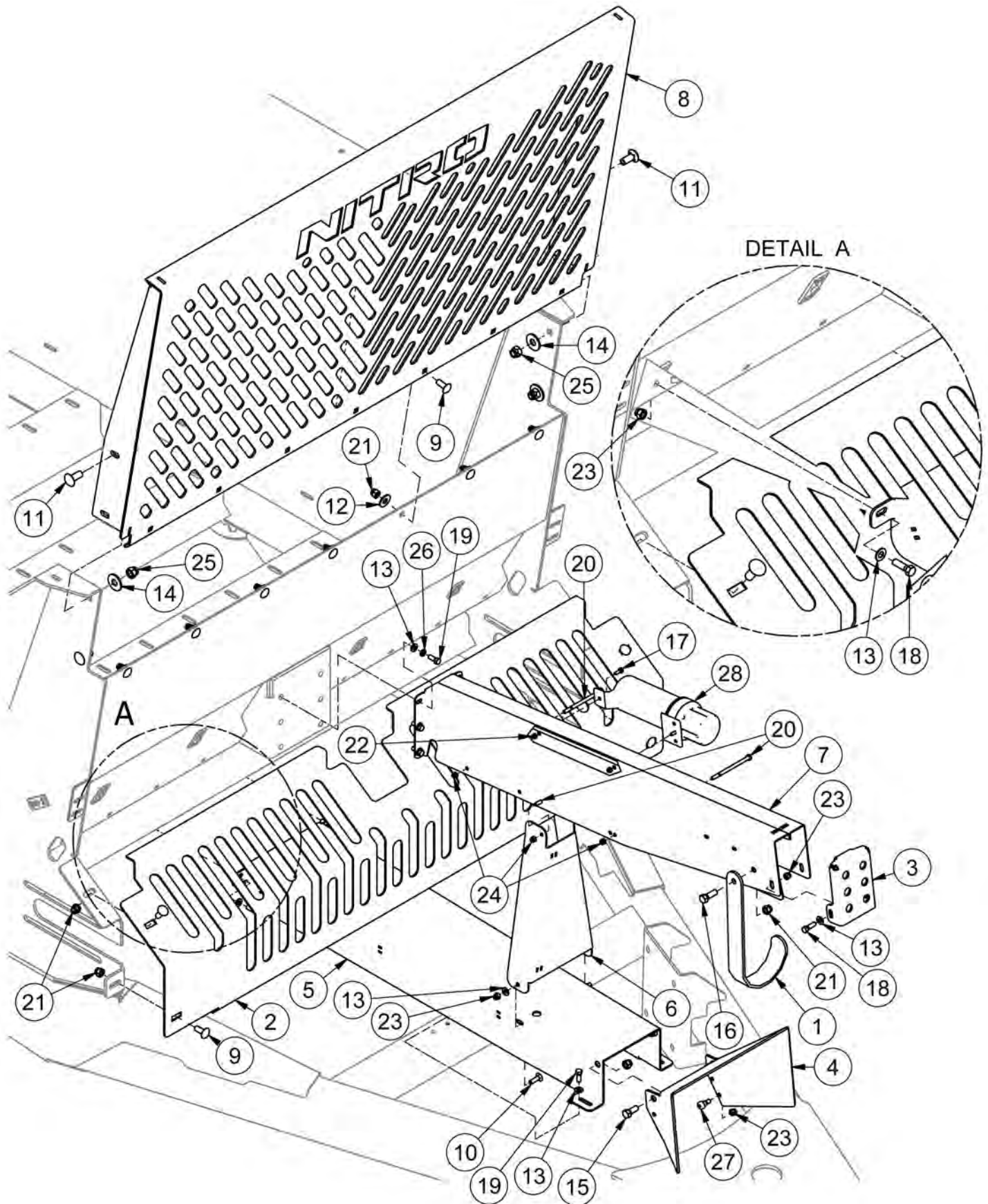
# Front Shields - Up to SN 16NS010



## Front Shields - Up to SN 16NS010

| ITEM | QTY | PART NUMBER        | DESCRIPTION   |
|------|-----|--------------------|---|
| 1    | 1   | 37195              | Stone Guard   |
| 2    | 1   | 37196              | Front Apron Shaft Guard                             |
| 3    | 1   | 450-441            | Rubber Seal   |
| 4    | 1   | 600-790            | Rubber hold Down                                    |
| 5    | 2   | 600-819            | Rubber PTO Shield                                   |
| 6    | 2   | 700-048            | Front Shield Hold Down                              |
| 7    | 22  | CB 3/8-16X1.0 Z5   | Carriage Bolt - 3/8-16 x 1" Grade 5 Zinc            |
| 8    | 7   | CB 1/2-13X1.1/4 Z5 | Carriage Bolt Zinc                                  |
| 9    | 10  | CB 5/8-11X1.1/2 Z5 | Carriage Bolt - 5/8-11 x 1-1/2" Grade 5 Zinc        |
| 10   | 7   | FW 1/2             | Flatwasher - 1/2" Zinc Plated USS                   |
| 11   | 4   | FW 5/8             | Flatwasher - 5/8" Zinc Plated USS                   |
| 12   | 22  | LN 3/8 N           | Locknuts - 3/8-16 Zinc Plated Nylon Insert Lock Nut |
| 13   | 7   | LN 1/2 N           | Locknuts - 1/2-13 Zinc Plated Nylon Insert Lock Nut |
| 14   | 10  | LN 5/8 N           | Locknuts - 5/8-11 Zinc Plated Nylon Insert Lock Nut |

# Front Shields- SN 16NS011 to Current





## Front Shields - SN 16NS011 to Current

| ITEM | QTY | PART NUMBER         | DESCRIPTION  |
|------|-----|---------------------|--|
| 1    | 1   | 35754               | PTO Holder   |
| 2    | 1   | 37171               | Front Shaft Cover                                      |
| 3    | 1   | 39413               | Hose Mount   |
| 4    | 1   | 39422               | PTO Front Pivot Cover                                  |
| 5    | 1   | 39455               | Long PTO Cover   |
| 6    | 1   | 39676               | PTO Front Shield                                       |
| 7    | 1   | 43902               | RS Hydraulic Hose Hanger                               |
| 8    | 1   | 49959               | Stone Guard  |
| 9    | 11  | CB1/2-13X1.25CZ5    | Carriage Bolt - 1/2-13 x 1 1/4" Grade 5 Zinc           |
| 10   | 2   | CB3/8-16X1.25CZ5    | Carriage Bolt - 3/8-16 x 1 1/4" Grade 5 Zinc           |
| 11   | 4   | CB5/8-11X1.5CZ5     | Carriage Bolt - 5/8-11 x 1 1/2" Grade 5 Zinc           |
| 12   | 7   | FW 1/2              | Flatwasher - 1/2" Zinc Plated USS                      |
| 13   | 14  | FW 3/8              | Flatwasher - 3/8" Zinc Plated USS                      |
| 14   | 4   | FW 5/8              | Flatwasher - 5/8" Zinc Plated USS                      |
| 15   | 2   | HB1/2-13X1.25Z5     | Hex Bolt 1/2-13x1 1/4 Gr 5 Zinc Plated Hex Cap Screw   |
| 16   | 1   | HB1/2-13X1.5Z5      | Hex Bolt 1/2-13x1 1/2 Gr 5 Zinc Plated Hex Cap Screw   |
| 17   | 2   | HB1/4-20X0.75Z5     | Hex Bolt 1/4-20x3/4 Gr 5 Zinc Plated Hex Cap Screw     |
| 18   | 4   | HB3/8-16X1.25Z5     | Hex Bolt 3/8-16x1 1/4 Gr 5 Zinc Plated Hex Cap Screw   |
| 19   | 8   | HB3/8-16X1Z5        | Hex Bolt 3/8-16x1 Gr 5 Zinc Plated Hex Cap Screw       |
| 20   | 3   | HB5/16-18X5Z5       | Hex Bolt 5/16-18x5 Gr 5 Zinc Plated Hex Cap Screw      |
| 21   | 14  | LN1/2-13NCZ5        | LN 1/2-13 Zinc Plated Nylon Insert Lock Nut            |
| 22   | 2   | LN1/4-20NCZ5        | LN 1/4-20 Zinc Plated Nylon Insert Lock Nut            |
| 23   | 9   | LN3/8-16NCZ5        | LN 3/8-16 Zinc Plated Nylon Insert Lock Nut            |
| 24   | 3   | LN5/16-18NCZ5       | LN 5/16-18 Zinc Plated Nylon Insert Lock Nut           |
| 25   | 4   | LN5/8-11NCZ5        | LN 5/8-11 Zinc Plated Nylon Insert Lock Nut            |
| 26   | 6   | LW 3/8              | LW -3/8" Zinc Plated Medium Split                      |
| 27   | 1   | SHSS1/2X3/8X3/8-16Z | Socket Head Shoulder Screws - 1/2 Shldr x 3/8 x 3/8-16 |
| 28   | 1   | TL5X2-201-111       | Operator's Manual Holder                               |

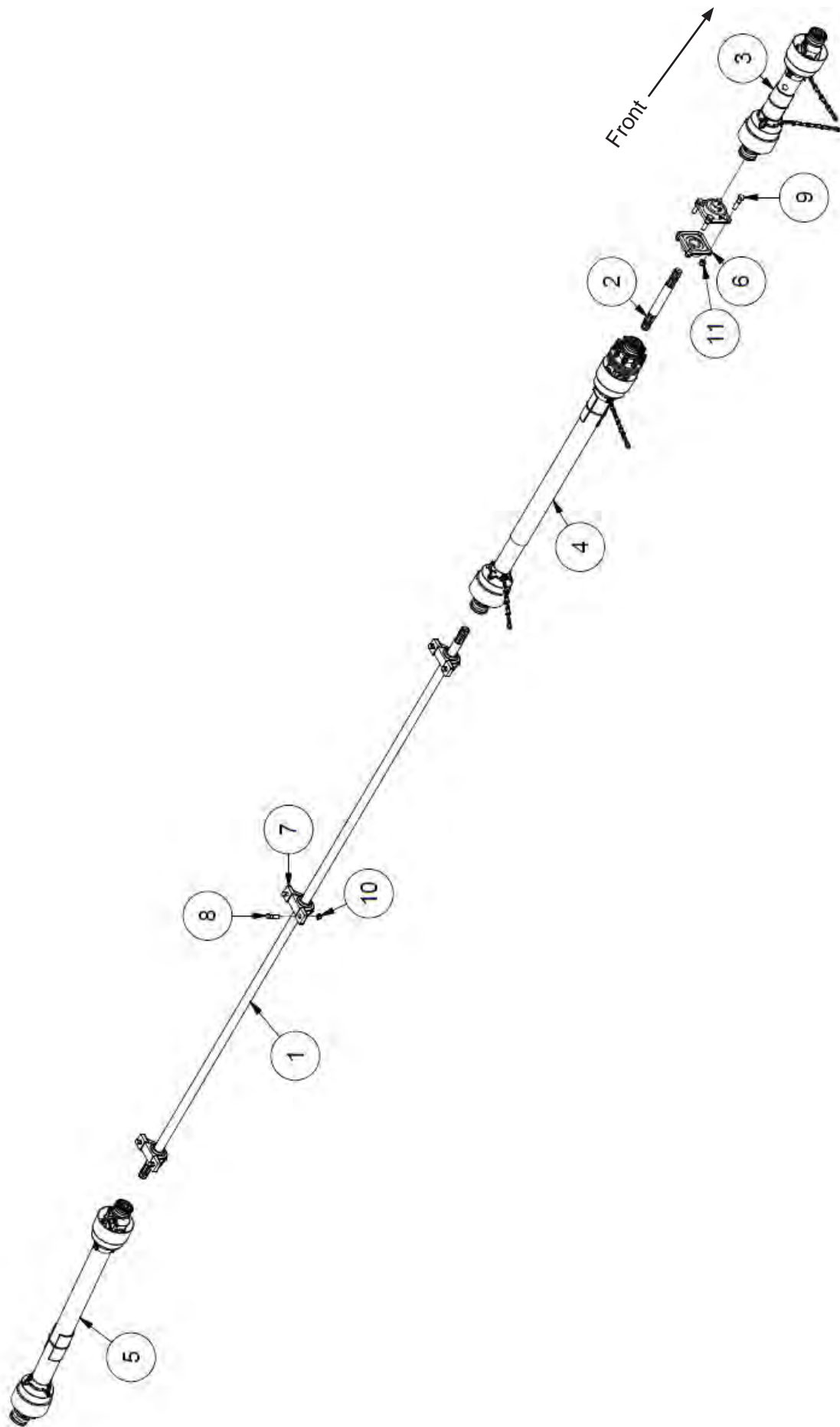


## Front Apron Drive

| ITEM | QTY | PART NUMBER        | DESCRIPTION                                  |
|------|-----|--------------------|--|
| 1    | 1   | 375-145            | 375 Front Apron Chain Shaft Weldment         |
| 2    | 2   | 37720              | Inside Bearing Plate                         |
| 3    | 2   | 39334              | Adjustment Rod THR.75                        |
| 4    | 2   | 400-169            | Bearing Mount Plate                          |
| 5    | 4   | 450-441            | 2 Ply Rubber Belt-V600,V450 (7.0 x 62.5)     |
| 6    | 2   | 45445              | RS Series Front Scraper                      |
| 7    | 3   | 600-790            | Rubber Hold Down                             |
| 8    | 2   | BEA UCF209-28R3    | Flange Bearing, Triple Seal, Ductile Iron    |
| 9    | 10  | CB3/8-16X1.5CZ5    | Carriage Bolt - 3/8-16 x 1 1/2" Grade 5 Zinc |
| 10   | 4   | CB5/8-11X2.5CZ5    | Carriage Bolt - 5/8-11 x 2 1/2" Grade 5 Zinc |
| 11   | 4   | CB5/8-11X2.75CZ5   | Carriage Bolt - 5/8-11 x 2 3/4" Grade 5 Zinc |
| 12   | 6   | HN3/4-10CZ5        | Hex Nut 3/4"-10 Grade 5 Zinc Plated Finished |
| 13   | 2   | HNJ3/4-10          | Hex Nut - 3/4-10 Zinc Plated Hex Jam Nut     |
| 14   | 10  | LN3/8-16NCZ5       | LN 3/8-16 Zinc Plated Nylon Insert Lock Nut  |
| 15   | 8   | LN5/8-11NCZ5       | LN 5/8-11 Zinc Plated Nylon Insert Lock Nut  |
| 16   | 2   | SS5/16-18CX0.375CP | Allan Head Set Screw, 5/16-18 x 3/8          |



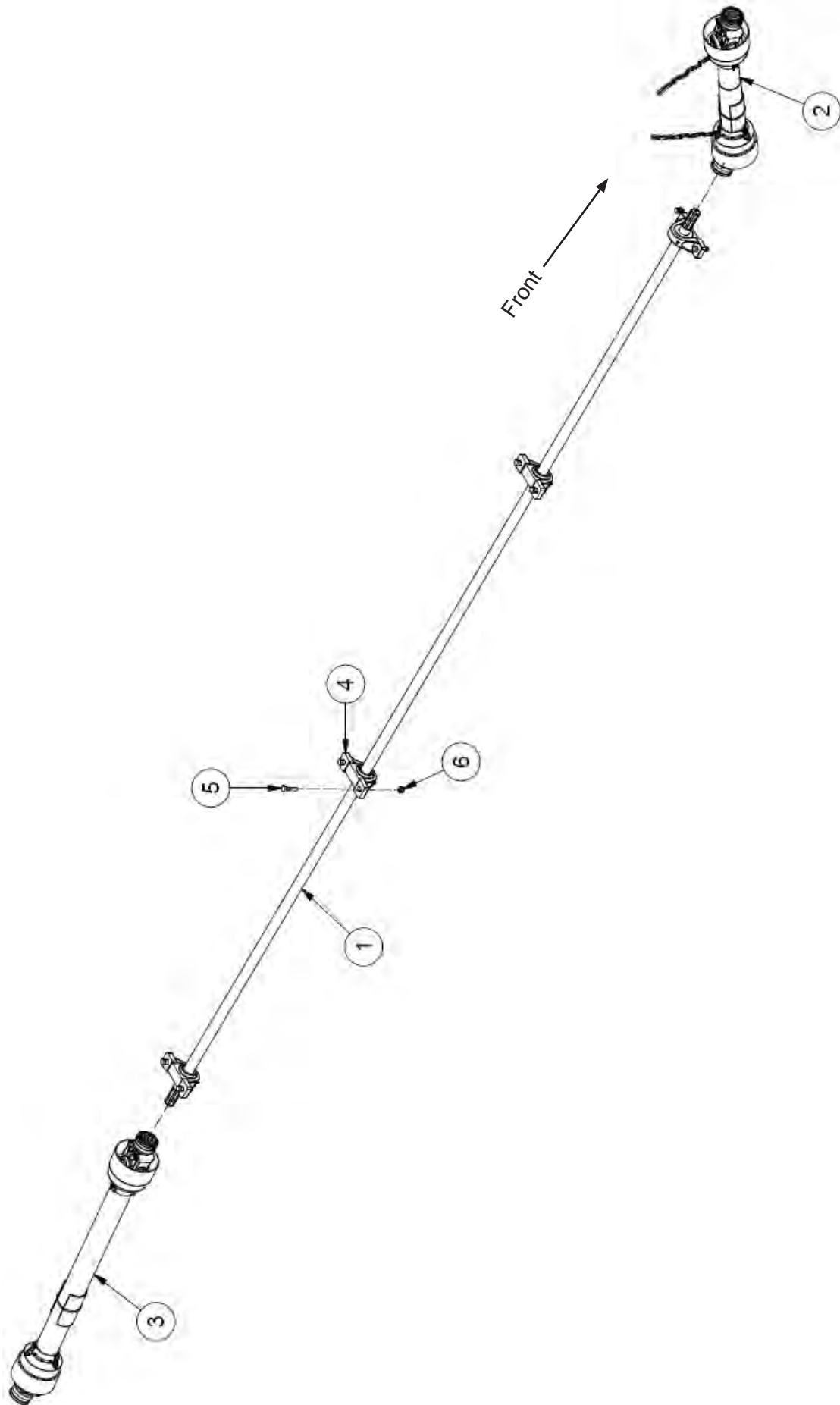
# Driveline - Up to SN 16NS010



## Driveline - Up to SN 16NS010

| ITEM | QTY | PART NUMBER        | DESCRIPTION   |
|------|-----|--------------------|---|
| 1    | 1   | 375-354            | Splined Drive Shaft   |
| 2    | 1   | 400-994            | Splined Stub Shaft  |
| 3    | 1   | 30841              | PTO Secondary Shaft- Manure Spreader                          |
| 4    | 1   | 30840              | PTO Slip Clutch for Manure Spreader                           |
| 5    | 1   | 30839              | PTO Shaft - Primary Shaft for Manure Spreader N450-N600       |
| 6    | 2   | BEA UCF208-24      | Flange Bearing  |
| 7    | 3   | BEA UCP208-24      | Pillow Block Bearing  |
| 8    | 6   | HB 1/2-13X2.0 Z5   | Hex Bolt 1/2-13 x 2" Grade 5 Zinc Plated Hex Cap Screw NC     |
| 9    | 4   | HB 5/8-11X2.1/2 Z5 | Hex Bolt 5/8-11 x 2 1/2" Grade 5 Zinc Plated Hex Cap Screw NC |
| 10   | 6   | LN 1/2 N           | Locknuts - 1/2-13 Zinc Plated Nylon Insert Lock Nut           |
| 11   | 4   | LN 5/8 N           | Locknut - 5/8-11 Zinc Plated Nylon Insert Lock Nut            |

## Driveline - SN 16NS011 to Current

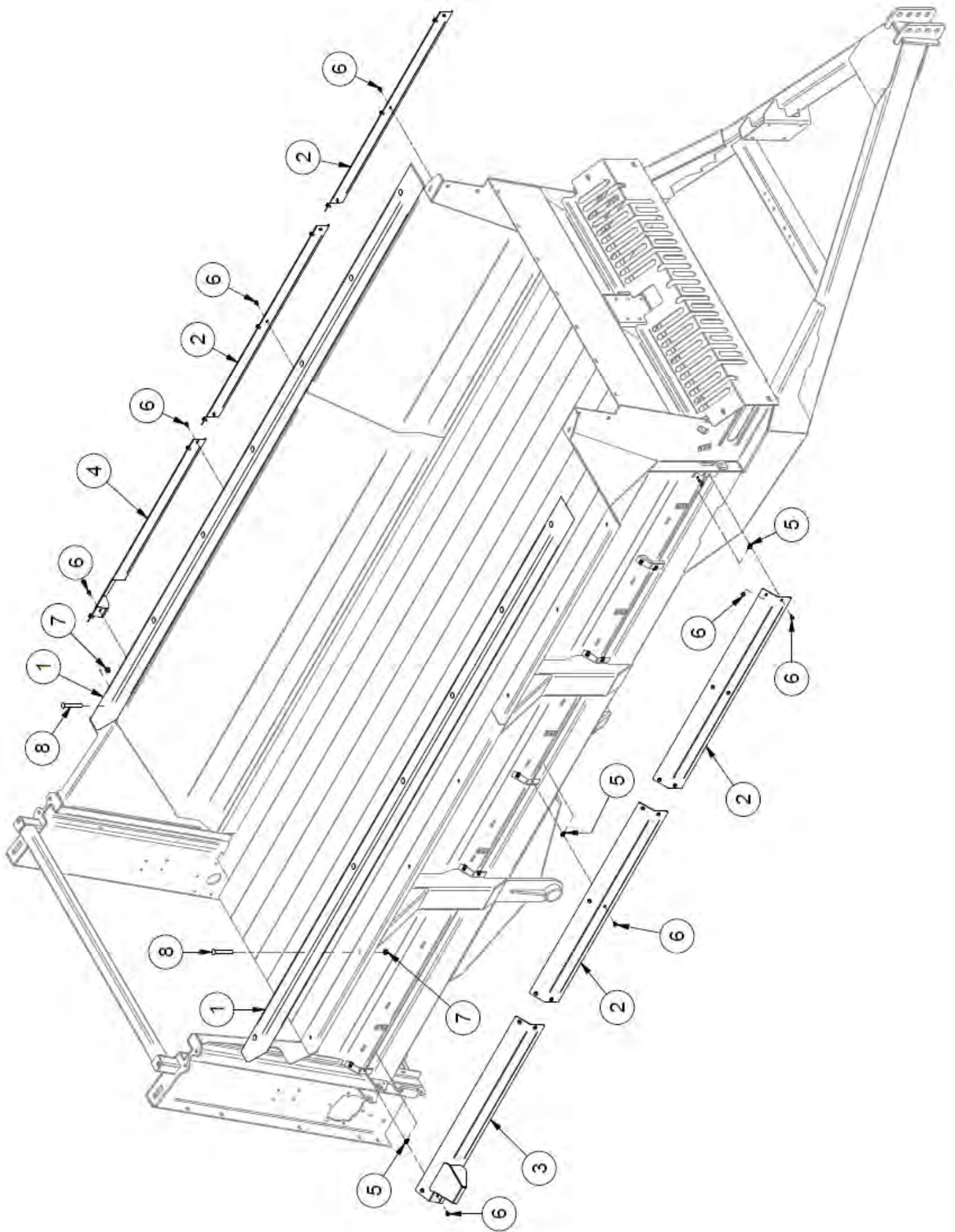




## Driveline - SN 16NS011 to Current

| ITEM | QTY | PART NUMBER   | DESCRIPTION   | NOTE                  |
|------|-----|---------------|---|-----------------------|
| 1    | 1   | 375-356       | Drive Shaft- Center 1.5 "x 178.72" long                   | Up to SN 21NRS201     |
|      | 1   | 47536         | Drive Shaft - Center 1.5" X 170 15/16" Long               | SN 21NRS201 - Current |
| 2    | 1   | 39850         | PTO. 375,450,525,600,750 (V80-141P028359-028028-CV80-CLS) |                       |
| 3    | 1   | 39852         | PTO. 600, 750,275 (T60-086P265011-306028-CLS(2500NM))     |                       |
| 4    | 4   | BEA UCP208-24 | Bolt Pillow Block, UCPE208-24 National 2- Heavy Housing   |                       |
| 5    | 40  | LN1/2-13NCZ5  | LN 1/2-13 Zinc Plated Nylon Insert Lock Nut               |                       |
| 6    | 8   | HB1/2-13X2Z5  | Hex Bolt 1/2-13x2 Grade 5 Zinc Plated Hex Cap Screw       |                       |

# Side Shields - Up to SN 19NRS200

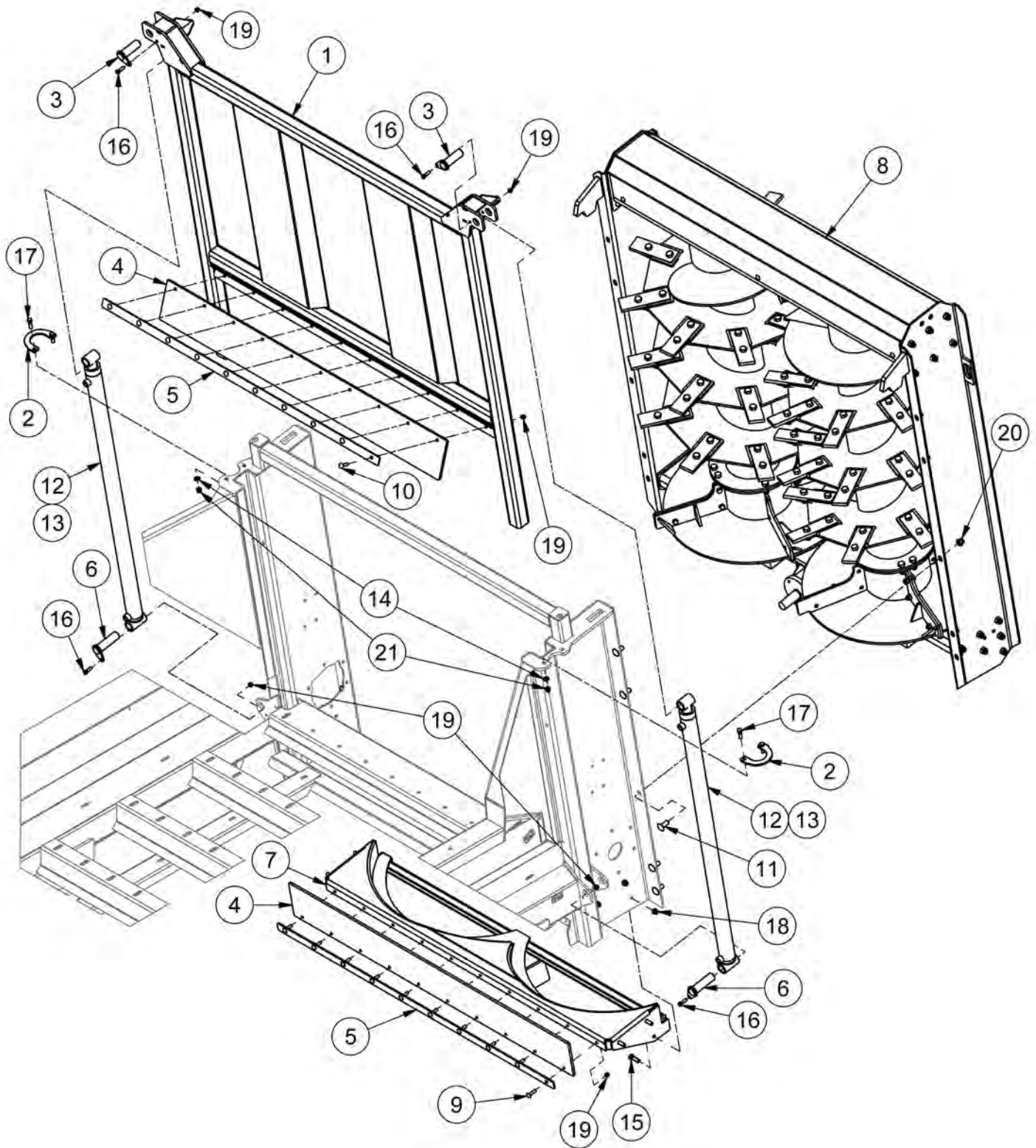


## Side Shields - Up to SN 19NRS200

| ITEM | QTY | PART NUMBER       | DESCRIPTION   | NOTE                           |
|------|-----|-------------------|---|--------------------------------|
| 1    | 2   | Obtain Locally    | 4X4X14' Pressure Treated Beam                       |                                |
| 2    | 4   | 37181             | Front Hose Shield                                   | Used until serial no. 19NRS200 |
| 3    | 1   | 37189             | Right Rear Hose Cover                               | Used until serial no. 19NRS200 |
| 4    | 1   | 37188             | Left Rear Hose Cover                                | Used until serial no. 19NRS200 |
| 5    | 32  | HNP 5/16          | Panel Nut - 5/16" U-Type Spring                     | Used until serial no. 19NRS200 |
| 6    | 32  | HBC5/16X0.5       | Hex Bolt Cerrated 5/16-18 x 1/2 Zinc<br>Flange Bolt | Used until serial no. 19NRS200 |
| 7    | 14  | HNC1/2            | Serrated Hex Nut                                    |                                |
| 8    | 14  | CB 1/2-13 X4.5 Z5 | Carriage Bolt - 1/2-13 x 4 1/2" Grade 5 Zinc        |                                |



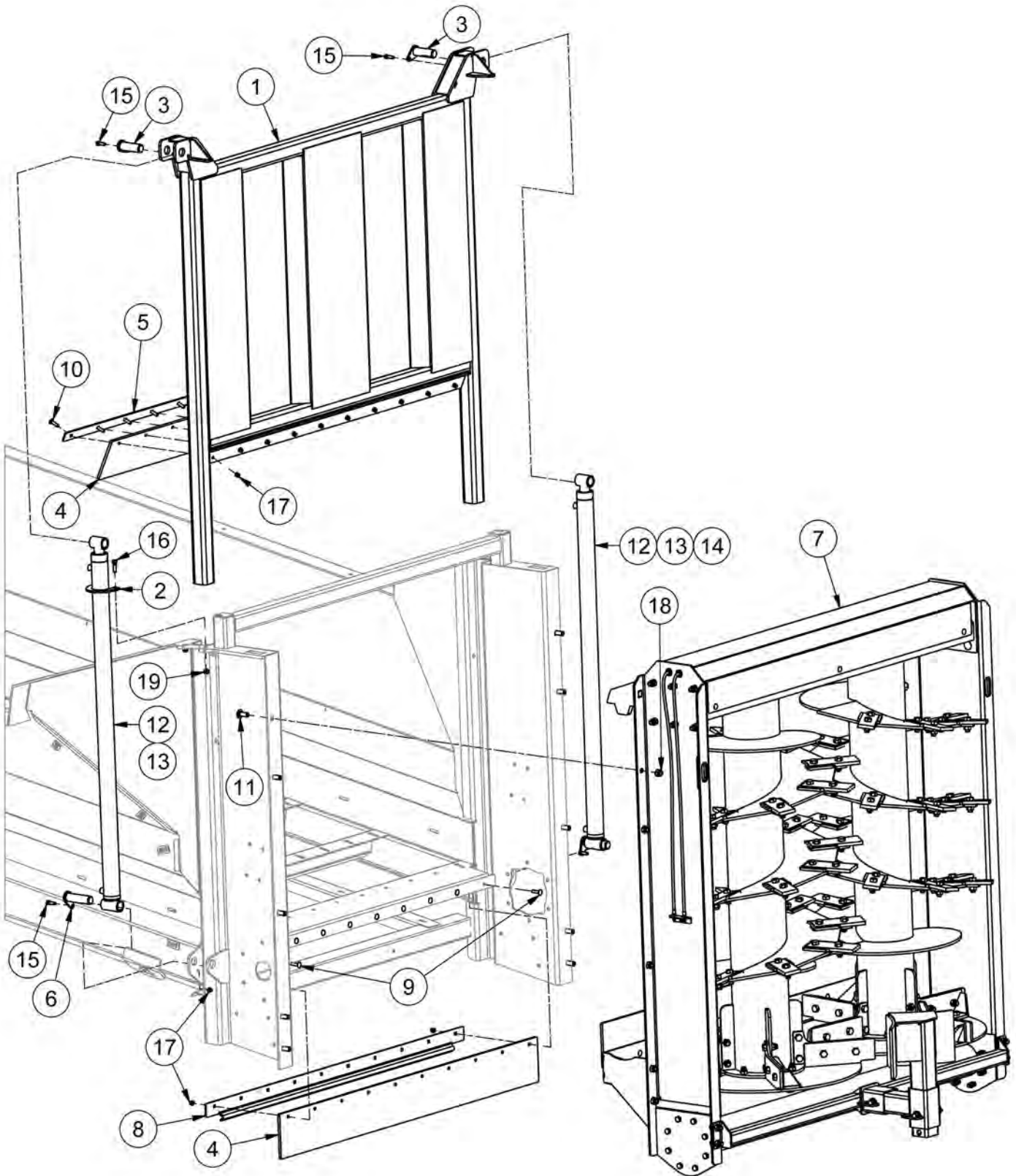
# Endgate - Up to SN 20NRS249



## Endgate - Up to SN 20NRS249

| ITEM | QTY | PART NUMBER       | DESCRIPTION  | NOTE              |
|------|-----|-------------------|--|-------------------|
| 1    | 1   | 375-126           | 375RS Endgate  |                   |
| 2    | 2   | 375-142           | Cylinder Clamp   |                   |
| 3    | 2   | 400-601           | Top Endgate Pin  |                   |
| 4    | 2   | 450-441           | Rubber Seal  |                   |
| 5    | 2   | 600-790           | Rubber Hold Down   |                   |
| 6    | 2   | 700-619           | Bottom Endgate Pin                                       |                   |
| 7    | 1   | 37197             | Spinner Shroud   | Up to<br>20NRS249 |
| 8    | 1   | 37590             | 375RS Beater Kit   | Up to<br>20NRS249 |
| 9    | 10  | CB3/8-16X1.5CZ5   | Carriage Bolt - 3/8-16 x 1 1/2" Grade 5 Zinc             |                   |
| 10   | 10  | CB3/8-16X1.375CZ5 | Carriage Bolt - 3/8-16 x 1 3/8" Grade 5 Zinc             |                   |
| 11   | 10  | CB5/8-11X1.5CZ5   | Carriage Bolt - 5/8-11 x 1 1/2" Grade 5 Zinc             |                   |
| 12   | 2   | CYL 37344         | Nitro 375 Gate Cylinder 2.0 x 48 x 1.5                   |                   |
| 13   | 2   | SKFH20-15         | Seal Kit for 2" Cylinder Bore 1.5" Rod                   |                   |
| 14   | 4   | FW 7/16           | Flatwasher - 7/16" Zinc Plated USS                       |                   |
| 15   | 6   | HB1/2-13X1.5Z5    | Hex Bolt 1/2-13x1 1/2 Grade 5 Zinc Plated Hex Cap Screw  |                   |
| 16   | 4   | HB3/8-16X1.25Z5   | Hex Bolt 3/8-16x1 1/4 Grade 5 Zinc Plated Hex Cap Screw  |                   |
| 17   | 4   | HB7/16-14X1.5Z5   | Hex Bolt 7/16-14x1 1/2 Grade 5 Zinc Plated Hex Cap Screw |                   |
| 18   | 6   | LN1/2-13NCZ5      | LN 1/2-13 Zinc Plated Nylon Insert Lock Nut              |                   |
| 19   | 24  | LN3/8-16NCZ5      | LN 3/8-16 Zinc Plated Nylon Insert Lock Nut              |                   |
| 20   | 10  | LN5/8-11NCZ5      | LN 5/8-11 Zinc Plated Nylon Insert Lock Nut              |                   |
| 21   | 4   | LN7/16-14NCZ5     | LN 7/16-14 Zinc Plated Nylon Insert Lock Nut             |                   |

# Endgate - SN 21NRS201 to Current

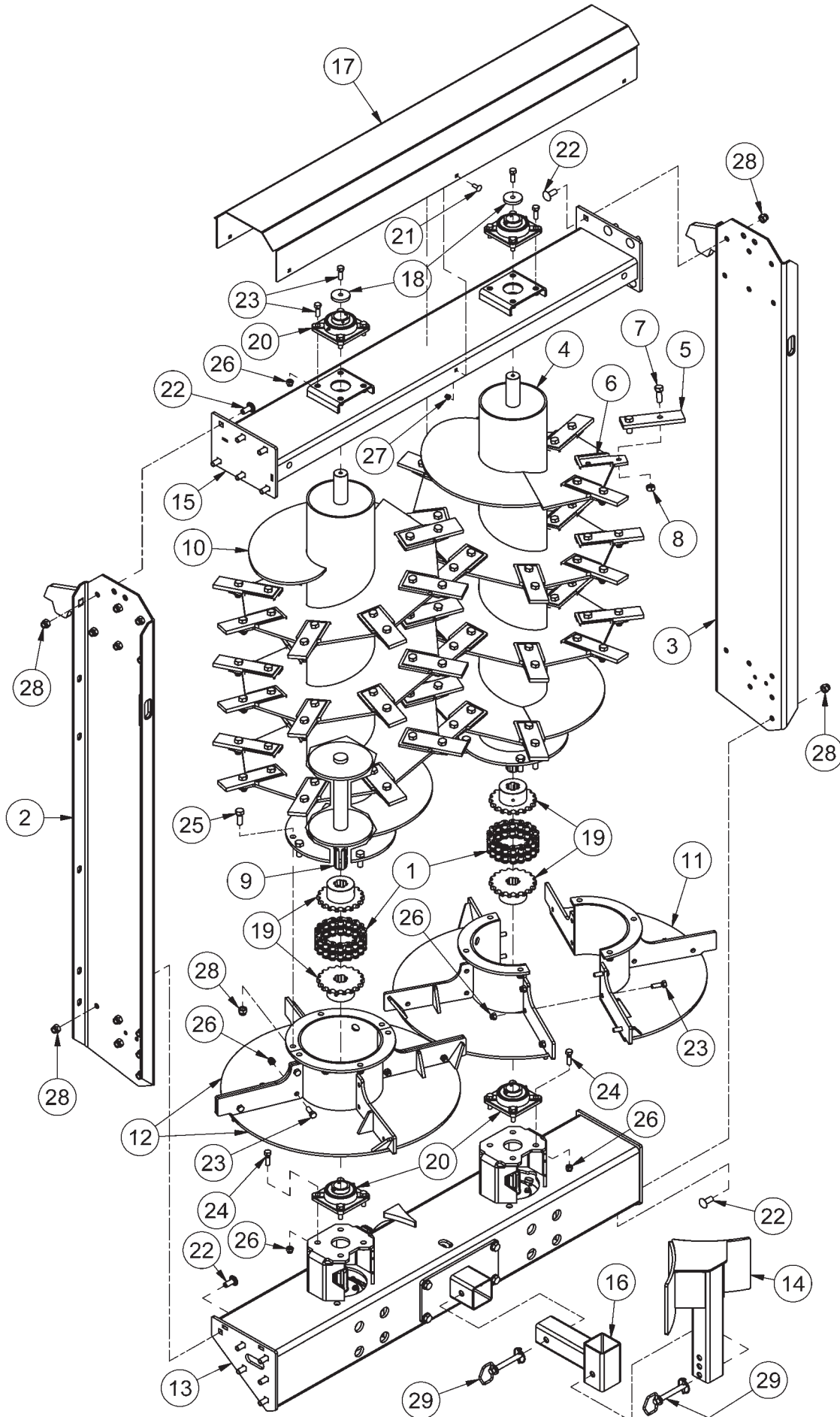




## Endgate - SN 21NRS201 to Current

| ITEM | QTY | PART NUMBER       | DESCRIPTION  | NOTE               |
|------|-----|-------------------|--|--------------------|
| 1    | 1   | 375-126           | 375RS Endgate  |                    |
| 2    | 2   | 375-142           | Cylinder Clamp   |                    |
| 3    | 2   | 400-601           | Top Endgate Pin  |                    |
| 4    | 2   | 450-441           | Rubber Seal  |                    |
| 5    | 1   | 600-790           | Rubber Hold Down   |                    |
| 6    | 2   | 700-619           | Bottom Endgate Pin                                       |                    |
| 7    | 1   | 46925             | 375 Beater Kit   | 21NRS201 - Current |
| 8    | 1   | 47567             | Wiper Guide  |                    |
| 9    | 10  | CB3/8-16X1.5CZ5   | Carriage Bolt - 3/8-16 x 1 1/2" Grade 5 Zinc             |                    |
| 10   | 10  | CB3/8-16X1.375CZ5 | Carriage Bolt - 3/8-16 x 1 3/8" Grade 5 Zinc             |                    |
| 11   | 10  | CB5/8-11X1.5CZ5   | Carriage Bolt - 5/8-11 x 1 1/2" Grade 5 Zinc             |                    |
| 12   | 2   | CYL 37344         | Nitro 375 Gate Cylinder 2.0 x 48 x 1.5                   |                    |
| 13   | 2   | SKFH20-15         | Seal Kit for 2" Cylinder Bore 1.5" Rod                   | Up to 22NRS274     |
| 14   | 2   | HYS-SK-4862 HYS   | Hyspec Seal Kit  | 23NRS201 - Current |
| 15   | 4   | HB3/8-16X1.25Z5   | Hex Bolt 3/8-16x1 1/4 Grade 5 Zinc Plated Hex Cap Screw  |                    |
| 16   | 4   | HB7/16-14X1.5Z5   | Hex Bolt 7/16-14x1 1/2 Grade 5 Zinc Plated Hex Cap Screw |                    |
| 17   | 24  | LN3/8-16NCZ5      | LN 3/8-16 Zinc Plated Nylon Insert Lock Nut              |                    |
| 18   | 10  | LN5/8-11NCZ5      | LN 5/8-11 Zinc Plated Nylon Insert Lock Nut              |                    |
| 19   | 4   | LN7/16-14NCZ5     | LN 7/16-14 Zinc Plated Nylon Insert Lock Nut             |                    |

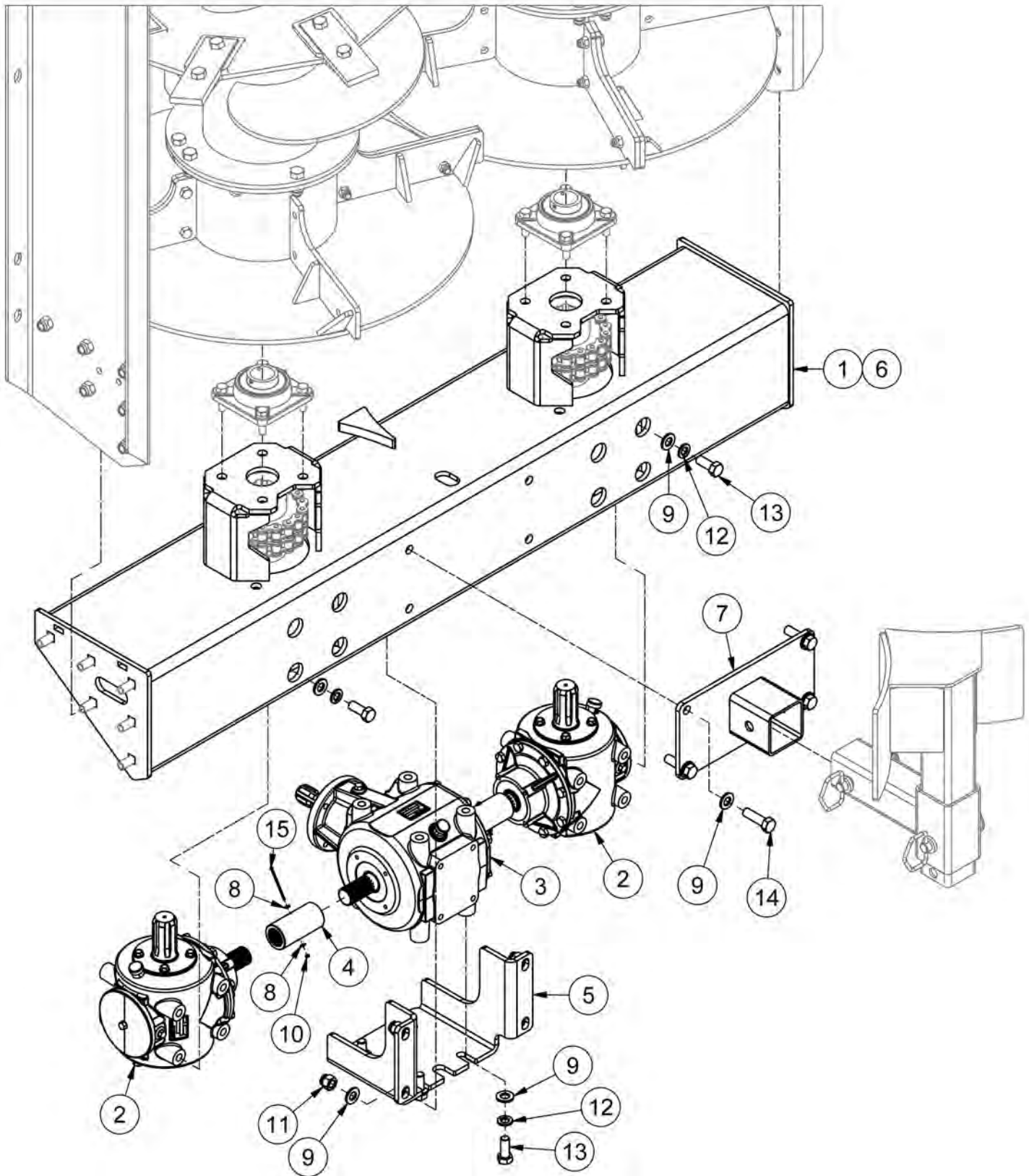
# Beaters (37590) - Up to SN 20NRS249



## Beaters (37590) - Up to SN 20NRS249

| ITEM | QTY | PART NUMBER     | DESCRIPTION   | NOTE                        |
|------|-----|-----------------|---|-----------------------------|
| 1    | 2   | 31518           | Coupling Chain # 80                                     |                             |
| 2    | 1   | 37591           | Left Beater Side Panel                                  |                             |
| 3    | 1   | 37592           | Right Beater Side Panel                                 |                             |
| 4    | 1   | 37593           | 375RS Right Beater                                      | Items 5-9                   |
| 5    | 24  | 400-438         | Beater Paddle   | Qty=1 Beater                |
| 6    | 24  | 47476           | Beater Retainer   | Qty=1 Beater                |
| 7    | 48  | HB5/8-11X1.75Z5 | Hex Bolt 5/8-11x1 3/4 Grade 5 Zinc Plated Hex Cap Screw | Qty=1 Beater                |
| 8    | 48  | LN5/8-11TCZ5    | LN5/8-11 Gr.C Zinc Top Lock Nut                         | Qty=1 Beater                |
| 9    | 1   | 45098           | Weld-in Lower Beater 1 3/4" Shaft Assembly              | Qty=1 Beater                |
| 10   | 1   | 37595           | 375RS Left Beater                                       | Items 5-9                   |
| 11   | 2   | 37597           | Right Spinner   |                             |
| 12   | 2   | 37738           | Left Spinner  |                             |
| 13   | 1   | 40684           | Rear Drive Assembly SRT8 T290A                          | <a href="#">See Pg.2-22</a> |
| 14   | 1   | 450-131         | Beater Deflector  |                             |
| 15   | 1   | 450-133         | Top Beater Cross Beam                                   |                             |
| 16   | 1   | 450-134         | Deflector Mount Insert                                  |                             |
| 17   | 1   | 450-405         | Top Beater Cover  |                             |
| 18   | 2   | 700-157         | Load Bearing Washer                                     |                             |
| 19   | 4   | 700-645         | Sprocket Weldment 80B18,-1.75 x 6 Spline                |                             |
| 20   | 4   | BEA UCF209-28R3 | UCF209 Bearing  |                             |
| 21   | 6   | CB3/8-16X1CZ5   | Carriage Bolt - 3/8-16 x 1" Grade 5 Zinc                |                             |
| 22   | 24  | CB5/8-11X1.5CZ5 | Carriage Bolt - 5/8-11 x 1 1/2" Grade 5 Zinc            |                             |
| 23   | 22  | HB1/2-13X1.5Z5  | Hex Bolt 1/2-13x1 1/2 Grade 5 Zinc Plated Hex Cap Screw |                             |
| 24   | 8   | HB1/2-13X1.75Z5 | Hex Bolt 1/2-13x1 3/4 Grade 5 Zinc Plated Hex Cap Screw |                             |
| 25   | 12  | HB5/8-11X1.75Z5 | Hex Bolt 5/8-11x1 3/4 Grade 5 Zinc Plated Hex Cap Screw |                             |
| 26   | 28  | LN1/2-13NCZ5    | LN 1/2-13 Zinc Plated Nylon Insert Lock Nut             |                             |
| 27   | 6   | LN3/8-16NCZ5    | LN 3/8-16 Zinc Plated Nylon Insert Lock Nut             |                             |
| 28   | 36  | LN5/8-11NCZ5    | LN 5/8-11 Zinc Plated Nylon Insert Lock Nut             |                             |
| 29   | 2   | TL384804        | 3/4 x 4 1/4 Hitch Pin w/Chain & Lynch Pin               |                             |

# Beater Cross Beam (40684) - Up to SN 20NRS249

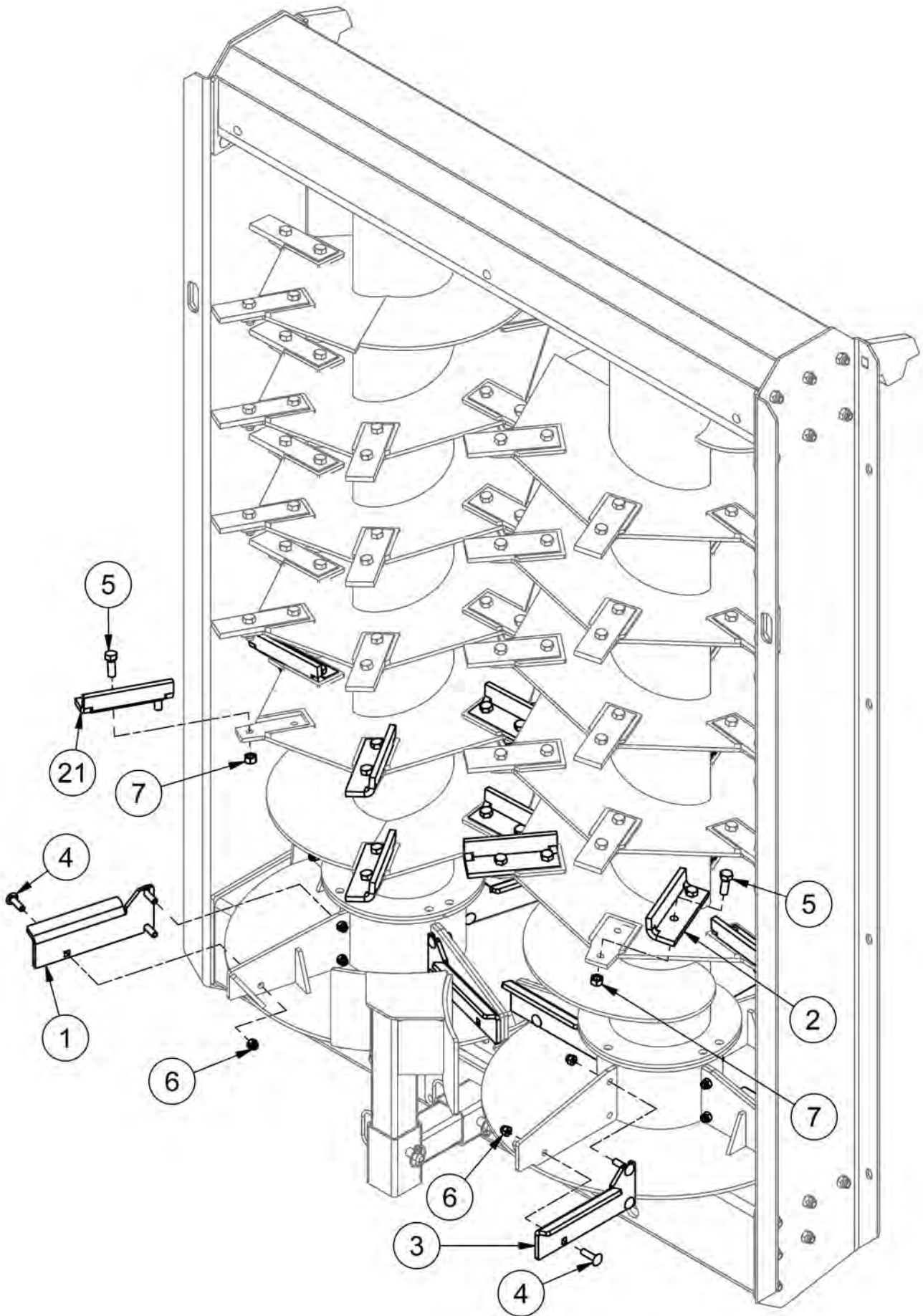




## Beater Cross Beam (40684) - Up to SN 20NRS249

| ITEM | QTY | PART NUMBER          | DESCRIPTION                                       | NOTE                       |
|------|-----|----------------------|---|----------------------------|
| 1    | 1   | 40684                | Rear Drive Assembly T290A                         | All Items                  |
| 2    | 2   | 30847-2              | Gear Box 1000 PTO - 540 1 3/4 Spline Output       | See <a href="#">Pg.6-4</a> |
| 3    | 1   | 30848                | Gear Box - Center - Spreaders                     | See <a href="#">Pg.6-6</a> |
| 4    | 2   | 30849                | Sleeve - Gear Box Spreaders 1.38 x 18 Spline      |                            |
| 5    | 1   | 403-912              | Mounting Bracket Gearbox                          |                            |
| 6    | 1   | 450-115              | Cross Beam Beater Bottom                          |                            |
| 7    | 1   | 450-139              | Deflector Mount Socket                            |                            |
| 8    | 4   | Bonded Washer - No.4 |   |                            |
| 9    | 20  | FW16MM               | Metric Flat Washer                                |                            |
| 10   | 2   | LN#4-40NCZ5          | LN 4-40 Zinc Plated Nylon Insert Lock Nut         |                            |
| 11   | 4   | LM16-2CZ5            | Locknut - M16-2 Zinc Plated Nylon Insert Lock Nut |                            |
| 12   | 12  | LWM16                | Lockwasher - M16                                  |                            |
| 13   | 12  | M16X40X2             | Metric Bolt                                       |                            |
| 14   | 4   | M16X55X2             | Metric Bolt                                       |                            |
| 15   | 2   | MS #4X40X2.5         | Machine Screw - (Inch)                            |                            |

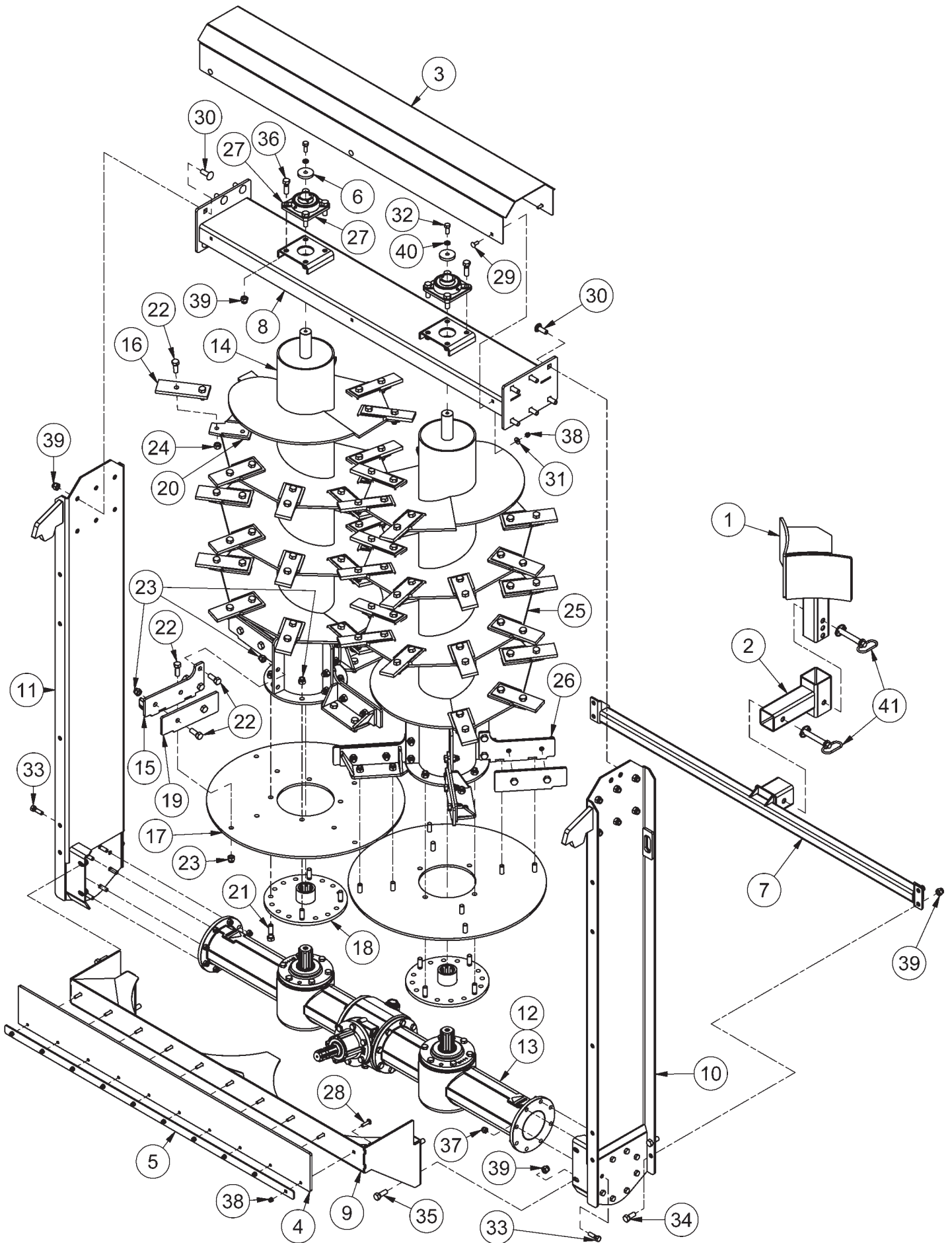
# Optional Flange Paddle Kit (41504) - Up to SN 20NRS249



## Optional Flange Paddle Kit (41504) - Up to SN 20NRS249

| ITEM | QTY | PART NUMBER      | DESCRIPTION   |
|------|-----|------------------|---|
| 1    | 4   | 33321            | Cupped Paddles - Left                                   |
| 21   | 8   | 36518            | Beater Paddle (Cupped) Left                             |
| 2    | 8   | 37718            | Beater Paddle (Cupped) Right                            |
| 3    | 4   | 37719            | Cupped Paddles - Right                                  |
| 4    | 24  | CB1/2-13X1.75CZ5 | Carriage Bolt - 1/2-13 x 1 3/4" Grade 5 Zinc            |
| 5    | 32  | HB5/8-11X1.75Z5  | Hex Bolt 5/8-11x1 3/4 Grade 5 Zinc Plated Hex Cap Screw |
| 6    | 24  | LN1/2-13NCZ5     | LN 1/2-13 Zinc Plated Nylon Insert Lock Nut             |
| 7    | 32  | LN5/8-11TCZ5     | LN5/8-11 Gr.C Zinc Top Lock Nut                         |

# Beaters (46925) - SN 21NRS001 to Current

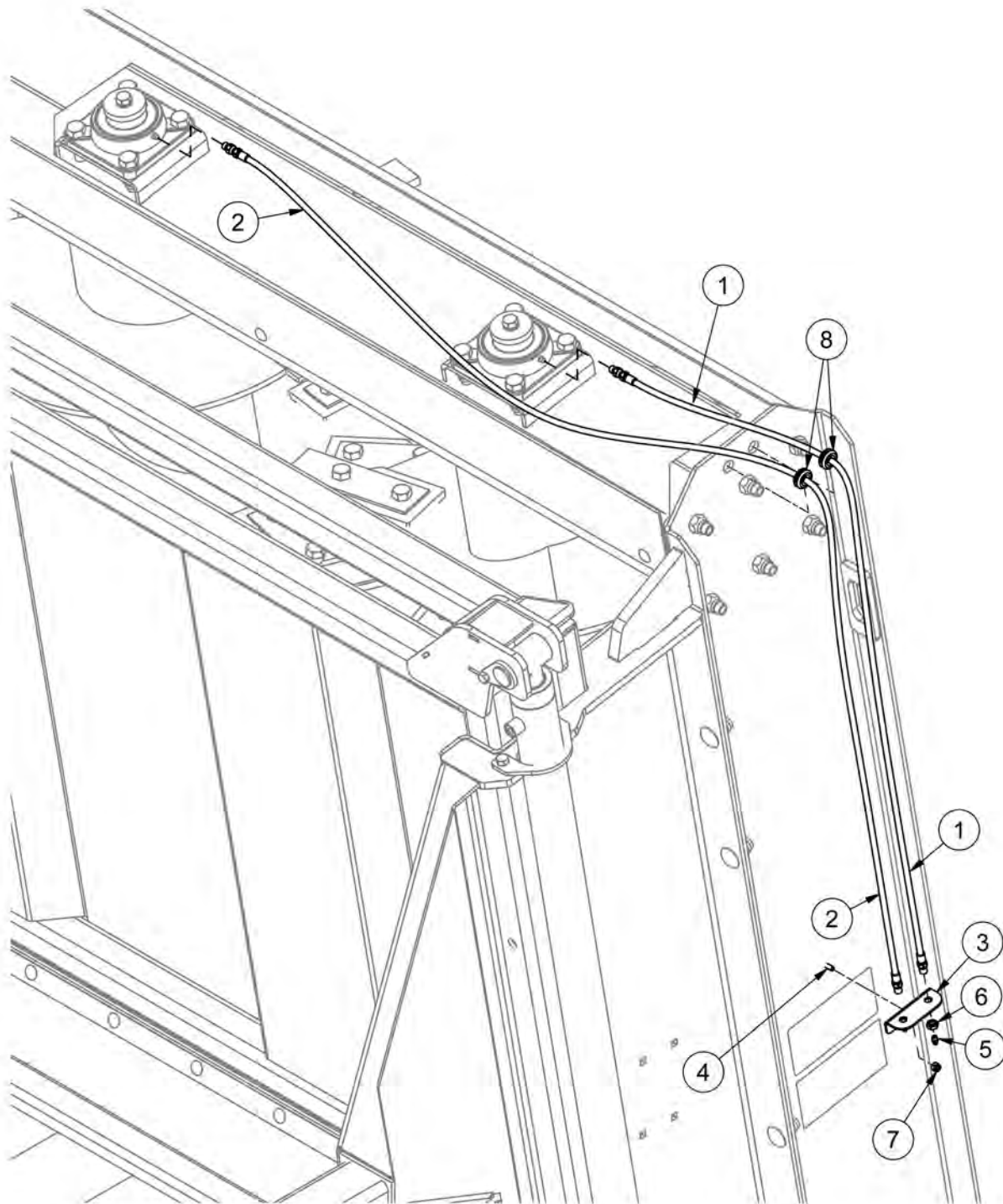




## Beaters (46925) - SN 21NRS001 to Current

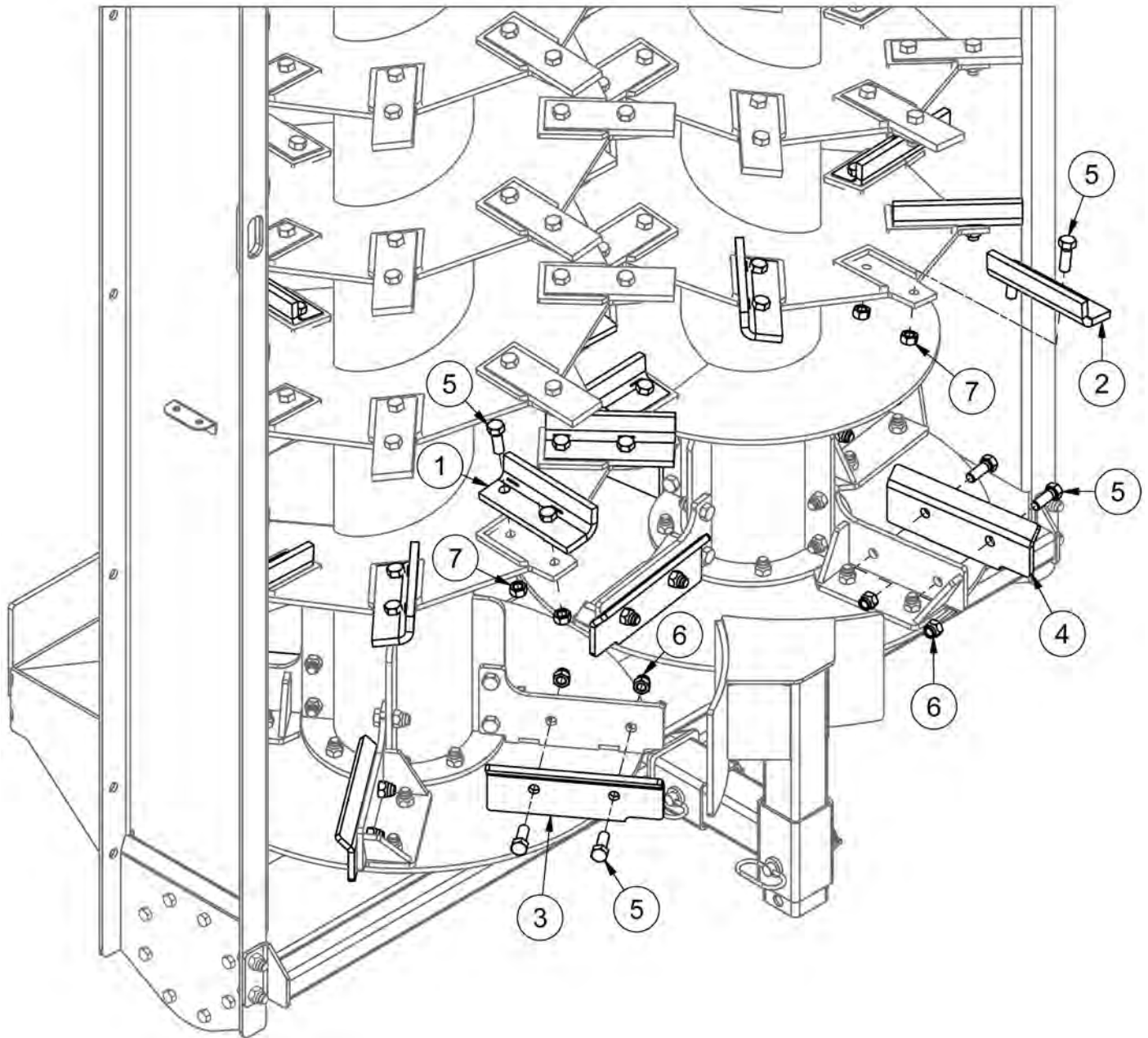
| ITEM | QTY | PART NUMBER       | DESCRIPTION   | NOTE           |
|------|-----|-------------------|---|----------------|
| 1    | 1   | 450-131           | Beater Deflector  |                |
| 2    | 1   | 450-134           | Deflector Mount Insert                                  |                |
| 3    | 1   | 450-405           | Top Beater Cover  |                |
| 4    | 1   | 450-441           | Rubber Seal   |                |
| 5    | 1   | 600-790           | Rubber Hold Down  |                |
| 6    | 2   | 700-157           | Load Bearing Washer                                     |                |
| 7    | 1   | 42225             | Receiver Assembly                                       |                |
| 8    | 1   | 42226             | Top Beater Crosser                                      |                |
| 9    | 1   | 42227             | Spinner Pan Assembly                                    |                |
| 10   | 1   | 42228             | Left Side Beater Frame                                  |                |
| 11   | 1   | 42229             | Right Side Beater Frame                                 |                |
| 12   | 1   | 42409             | Rear Beater Gearbox - Omnigear                          | Standard       |
| 13   | 1   | 43856             | Rear Beater Gearbox - Omnigear - 540 RPM                | Optional       |
| 14   | 1   | 46938             | Right 375 Beater ASM                                    | Items 15-24    |
| 15   | 4   | 46928             | 375 Right Paddle  |                |
| 16   | 24  | 400-438           | Beater Paddle   | Qty=1 Beater   |
| 17   | 1   | 46924             | 375 Spinner Disc  | Qty=1 Beater   |
| 18   | 1   | 46932             | 375 Spline Hub  | Qty=1 Beater   |
| 19   | 4   | 46934             | 375 Spinner Paddle                                      | Qty=1 Beater   |
| 20   | 24  | 47476             | Paddle Retainer   | Qty=1 Beater   |
| 21   | 4   | HB 5/8-11X2.25 Z5 | Hex Bolt 5/8-11x2 1/4 Grade 5 Zinc Plated Hex Cap Screw | Qty=1 Beater   |
| 22   | 72  | HB5/8-11X1.75Z5   | Hex Bolt 5/8-11x1 3/4 Grade 5 Zinc Plated Hex Cap Screw | Qty=1 Beater   |
| 23   | 28  | LN5/8-11NCZ5      | LN 5/8-11 Zinc Plated Nylon Insert Lock Nut             | Qty=1 Beater   |
| 24   | 48  | LN5/8-11TCZ5      | LN5/8-11 Gr.C Zinc Top Lock Nut                         | Qty=1 Beater   |
| 25   | 1   | 46939             | Left 375 Beater ASM                                     | Items 16-24,26 |
| 26   | 4   | 46930             | 375 Left Paddle   |                |
| 27   | 2   | BEA UCF209-28R3   | Flange Bearing, Triple Seal, Ductile Iron               |                |
| 28   | 10  | CB3/8-16X1.5CZ5   | Carriage Bolt - 3/8-16 x 1 1/2" Grade 5 Zinc            |                |
| 29   | 6   | CB3/8-16X1CZ5     | Carriage Bolt - 3/8-16 x 1" Grade 5 Zinc                |                |
| 30   | 12  | CB5/8-11X1.75CZ5  | Carriage Bolt - 5/8-11 x 1 3/4" Grade 5 Zinc            |                |
| 31   | 6   | FW 3/8            | Flatwasher - 3/8" Zinc Plated USS                       |                |
| 32   | 2   | HB1/2-13X1.25Z5   | Hex Bolt 1/2-13x1 1/4 Grade 5 Zinc Plated Hex Cap Screw |                |
| 33   | 16  | HB1/2-13X1.75Z5   | Hex Bolt 1/2-13x1 3/4 Grade 5 Zinc Plated Hex Cap Screw |                |
| 34   | 4   | HB5/8-11X1.5Z5    | Hex Bolt 5/8-11x1 1/2 Grade 5 Zinc Plated Hex Cap Screw |                |
| 35   | 4   | HB5/8-11X1.75Z5   | Hex Bolt 5/8-11x1 3/4 Grade 5 Zinc Plated Hex Cap Screw |                |
| 36   | 8   | HB5/8-11X2Z5      | Hex Bolt 5/8-11x2 Grade 5 Zinc Plated Hex Cap Screw     |                |
| 37   | 16  | LN1/2-13NCZ5      | LN 1/2-13 Zinc Plated Nylon Insert Lock Nut             |                |
| 38   | 16  | LN3/8-16NCZ5      | LN 3/8-16 Zinc Plated Nylon Insert Lock Nut             |                |
| 39   | 28  | LN5/8-11NCZ5      | LN 5/8-11 Zinc Plated Nylon Insert Lock Nut             |                |
| 40   | 2   | LW 1/2            | LW - 1/2" Zinc Plated Medium Split                      |                |
| 41   | 2   | TL550-100-050     | Push Off Pin  |                |

## Beater Greaselines



| ITEM | QTY | PART NUMBER      | DESCRIPTION                                  |
|------|-----|------------------|--|
| 1    | 1   | 36623            | Hose - HH67 - 2R7(2MPX,2GKCY) HCL 67"        |
| 2    | 1   | 36624            | Hose - HH99 - 2R7(2MPX,2GKCY) HCL 99"        |
| 3    | 1   | 37849            | Nitro Grease Line Mount                      |
| 4    | 1   | CB1/4-20X0.75CZ5 | Carriage Bolt - 1/4-20 x 3/4" Grade 5 Zinc   |
| 5    | 2   | GR 1/4 X 28      | Grease Fitting 1/4-28 Straight Standard Zerk |
| 6    | 2   | HNJ3/8-16        | Hex Nut - 3/8-16 Zinc Plated Hex Jam Nut     |
| 7    | 1   | LN1/4-20NCZ5     | LN 1/4-20 Zinc Plated Nylon Insert Lock Nut  |
| 8    | 2   | TL5X2-100-143    | Rubber Grommet                               |

## Optional Flange Paddle Kit (47553) - SN 21NRS001 to Current



| ITEM | QTY | PART NUMBER     | DESCRIPTION   |
|------|-----|-----------------|---|
| 1    | 8   | 36518           | Cupped Beater Paddle - Left                             |
| 2    | 8   | 37718           | Cupped Beater Paddle - Right                            |
| 3    | 4   | 47551           | 375 Left Cupped Spinner Paddle                          |
| 4    | 4   | 47552           | 375 Right Cupped Spinner Paddle                         |
| 5    | 48  | HB5/8-11X1.75Z5 | Hex Bolt 5/8-11x1 3/4 Grade 5 Zinc Plated Hex Cap Screw |
| 6    | 16  | LN5/8-11NCZ5    | LN 5/8-11 Zinc Plated Nylon Insert Lock Nut             |
| 7    | 32  | LN5/8-11TCZ5    | LN5/8-11 Gr.C Zinc Top Lock Nut                         |







## Rear Apron Drive

| ITEM | QTY | PART NUMBER      | DESCRIPTION  | NOTE                    |
|------|-----|------------------|--|-------------------------|
| 1    | 1   | 375-371          | Apron Shaft Bushing                                  |                         |
| 2    | 1   | 375-428          | Gearbox Torque Arm                                   |                         |
| 3    | 1   | 450-433          | Torque Arm Retainer                                  |                         |
| 4    | 1   | 450-371          | Apron Shaft Bushing                                  |                         |
| 5    | 1   | 450-441          | 2 Ply Rubber Belt - 7.0 X 62.5                       | 21NRS201 -              |
| 6    | 2   | 700-431          | Apron Bushing  |                         |
| 7    | 1   | 30854            | Hydraulic Motor - Spreaders                          | Standard Up to 22NRS274 |
| 8    | 1   | 40718            | Hydraulic Motor w/ Speed Sensor & Relief             | Req. Scale Option       |
| 9    | 1   | SK-SMRS-SK       | Seal Kit - Gear Box Motor                            |                         |
| 10   | 1   | 30856            | Hydraulic Cross Port Relief for Motor                |                         |
| 11   | 1   | 43659            | Metric 16mm x 11mm x 6.25"                           |                         |
| 12   | 1   | 34001            | Gear Box for Spreader SRT8/1710 1000/420             |                         |
| 13   | 2   | 37560            | Rear Shaft Bushing                                   |                         |
| 14   | 1   | 37563            | Rear Apron Shaft                                     |                         |
| 15   | 2   | 37566            | Rear Scraper   |                         |
| 16   | 1   | 47567            | Wiper Guide 62.5"                                    | 21NRS201 -              |
| 17   | 10  | CB3/8-16X1.5CZ5  | Carriage Bolt - 3/8-16 x 1 1/2" Grade 5 Zinc         |                         |
| 18   | 2   | HB 3/8-16X3.5 Z5 | Hex Bolt 3/8-16x3 1/2 Gr 5 Zinc Plated Hex Cap Screw |                         |
| 19   | 12  | HB1/2-13X1.75Z5  | Hex Bolt 1/2-13x1 3/4 Gr 5 Zinc Plated Hex Cap Screw |                         |
| 20   | 2   | HB3/8-16X1.5Z5   | Hex Bolt 3/8-16x1 1/2 Gr 5 Zinc Plated Hex Cap Screw |                         |
| 21   | 12  | LN1/2-13NCZ5     | LN 1/2-13 Zinc Plated Nylon Insert Lock Nut          |                         |
| 22   | 14  | LN3/8-16NCZ5     | LN 3/8-16 Zinc Plated Nylon Insert Lock Nut          |                         |
| 23   | 2   | M12X35X1.75      | Metric Bolt  |                         |
| 24   | 6/7 | M14X35X2         | Metric Bolt  |                         |
| 25   | 8   | SHCS5/16-18X1.75 | Hex Bolt - 5/16-18 x 1 3/4 Socket Head Cap Screw     |                         |
| 26   | 1   | 49994            | CNM350 Apron Gear Box                                | 23NRS201 - Current      |
| 27   | 1   | 49950            | CNM350 Torque Arm Asm.                               | 23NRS201 - Current      |
| 28   | 1   | 50071            | 275 Apron Gearbox Spacer                             | 23NRS201 - Current      |

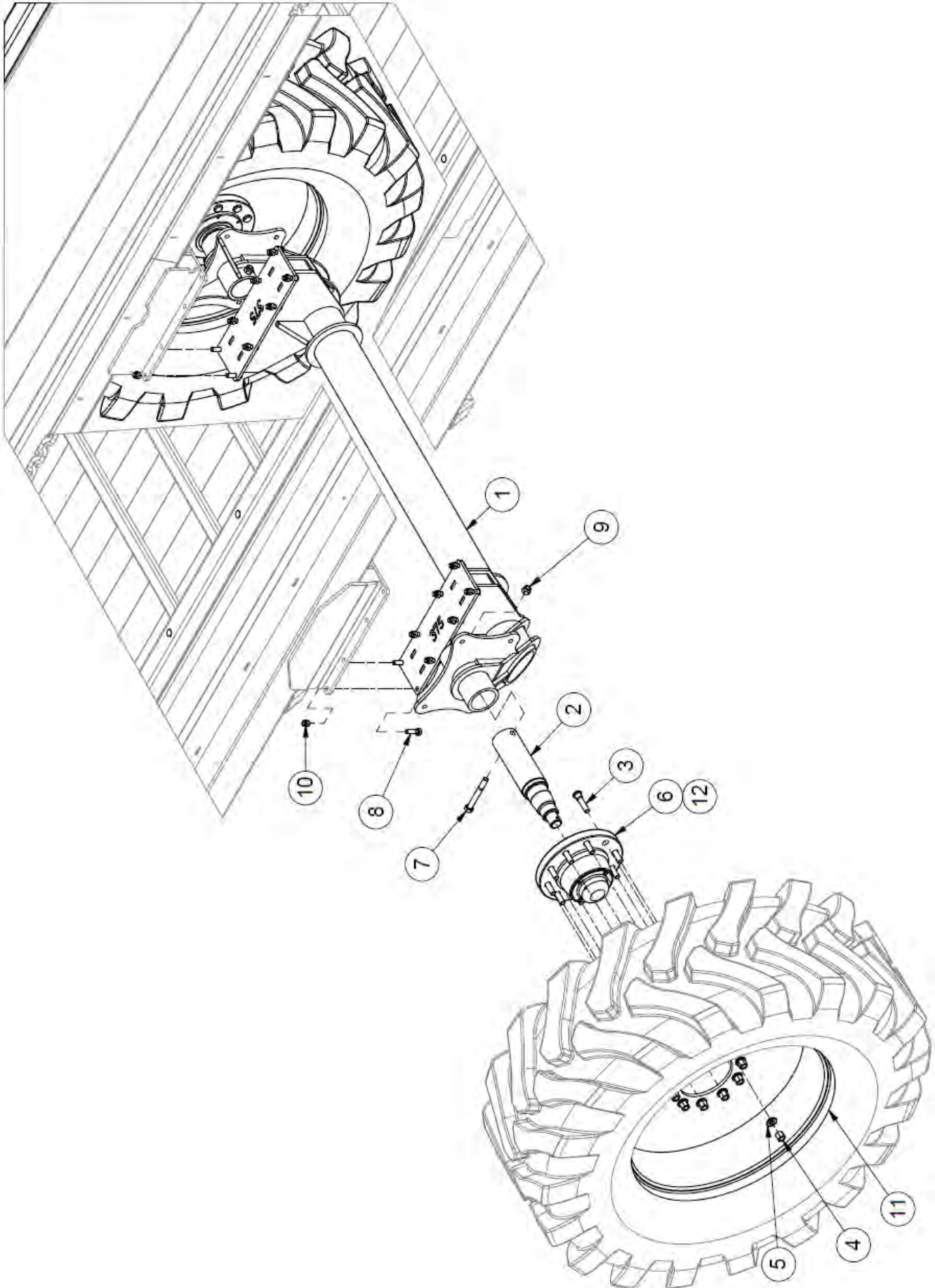


## Floor & Side Boards

| ITEM | QTY | PART NUMBER     | DESCRIPTION                                  |
|------|-----|-----------------|--|
| 1    | 1   | 375-225         | Right Floor Board                            |
| 2    | 9   | 375-355         | Floor Board                                  |
| 3    | 1   | 375-365         | Left Floor Board                             |
| 4    | 2   | 37721           | Side Board                                   |
| 5    | 2   | 42757           | 4X4X14' Pressure Treated Post                |
| 6    | 1   | 43685           | Nitro 375RS Base Weldment                    |
| 7    | 12  | CB1/2-13X4.5CZ5 | Carriage Bolt - 1/2-13 x 4 1/2" Grade 5 Zinc |
| 8    | 141 | FHSCS3/8-16X1.5 | 3/8"-16 x 1 1/2" Flat Socket Cap Screw       |
| 9    | 141 | FW 3/8          | Flatwasher - 3/8" Zinc Plated USS            |
| 10   | 12  | LN1/2-13NCZ5    | LN 1/2-13 Zinc Plated Nylon Insert Lock Nut  |
| 11   | 141 | LN3/8-16NCZ5    | LN 3/8-16 Zinc Plated Nylon Insert Lock Nut  |

# Single Axle

Used from serial no. **19NRS200** to current.





## Single Axle

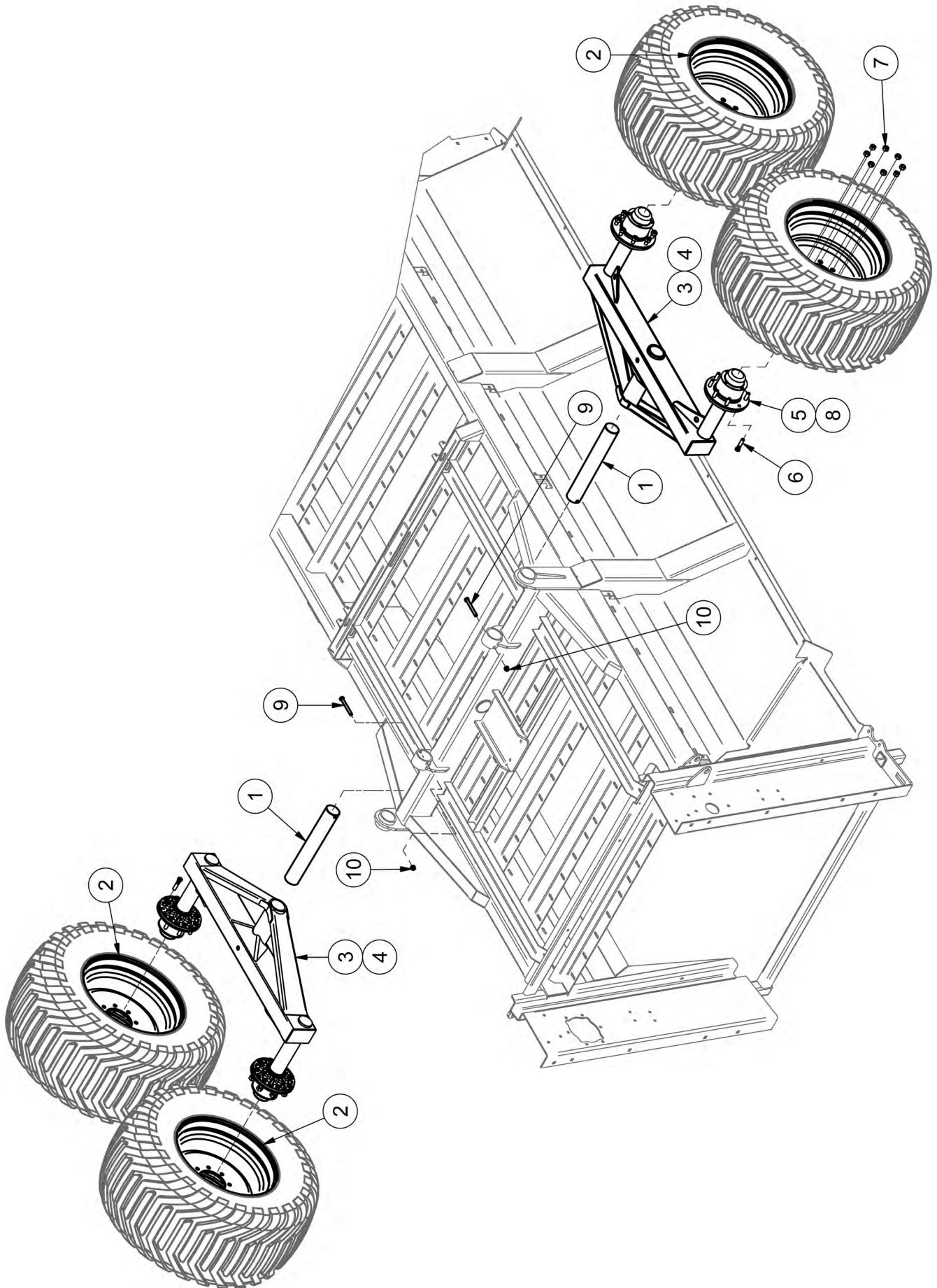
Used from serial no. **19NRS200** to current.

| ITEM | QTY | PART NUMBER    | DESCRIPTION   |
|------|-----|----------------|---|
| 1    | 1   | 42769          | 375 Single Axle                                     |
| 2    | 2   | 450-435        | 16000 lb Spindle (SP 4.0 X 18.4)                    |
| 3    | 20  | 31529          | 3/4 Wheel Stud                                      |
| 4    | 20  | 31530          | 3/4 Wheel Nut                                       |
| 5    | 20  | 39600          | W750 Washer   |
| 6    | 2   | HUB 16000      | Complete 16000lb Hub                                |
| 7    | 2   | HB 3/4-10X6 Z5 | Hex Bolt 3/4-10x6 Grade 5 Zinc Plated Hex Cap Screw |
| 8    | 16  | HB 5/8-11X2 Z5 | Hex Bolt 5/8-11x2 Grade 5 Zinc Plated Hex Cap Screw |
| 9    | 2   | LN 3/4 N       | LN 3/4-10 Zinc Plated Nylon Insert Lock Nut         |
| 10   | 24  | LN 5/8 N       | LN 5/8-11 Zinc Plated Nylon Insert Lock Nut         |
| 11   | 2   | 450-338        | Rim   |
| 12   | 2   | HUB 16000-CCS  | 16000lb Hub Bearing & Seal Kit                      |

| NITRO 375RS TIRE CHART |                  |                        |
|------------------------|------------------|------------------------|
| Axle Type              | Part Number      | Tire Size              |
| Single                 | WHE 600X65X34    | 600/65-34              |
| Tandem                 | WHE 425X65X22.5L | 425/22.5 Recap (Truck) |
| Tandem                 | WHE 550X45X22.5  | 550/45-22.5            |

**NOTE:** Refer to Nitro Operator's Manual for wheel load capacity charts.

# Tandem Axle - Standard



## Tandem Axle - Standard

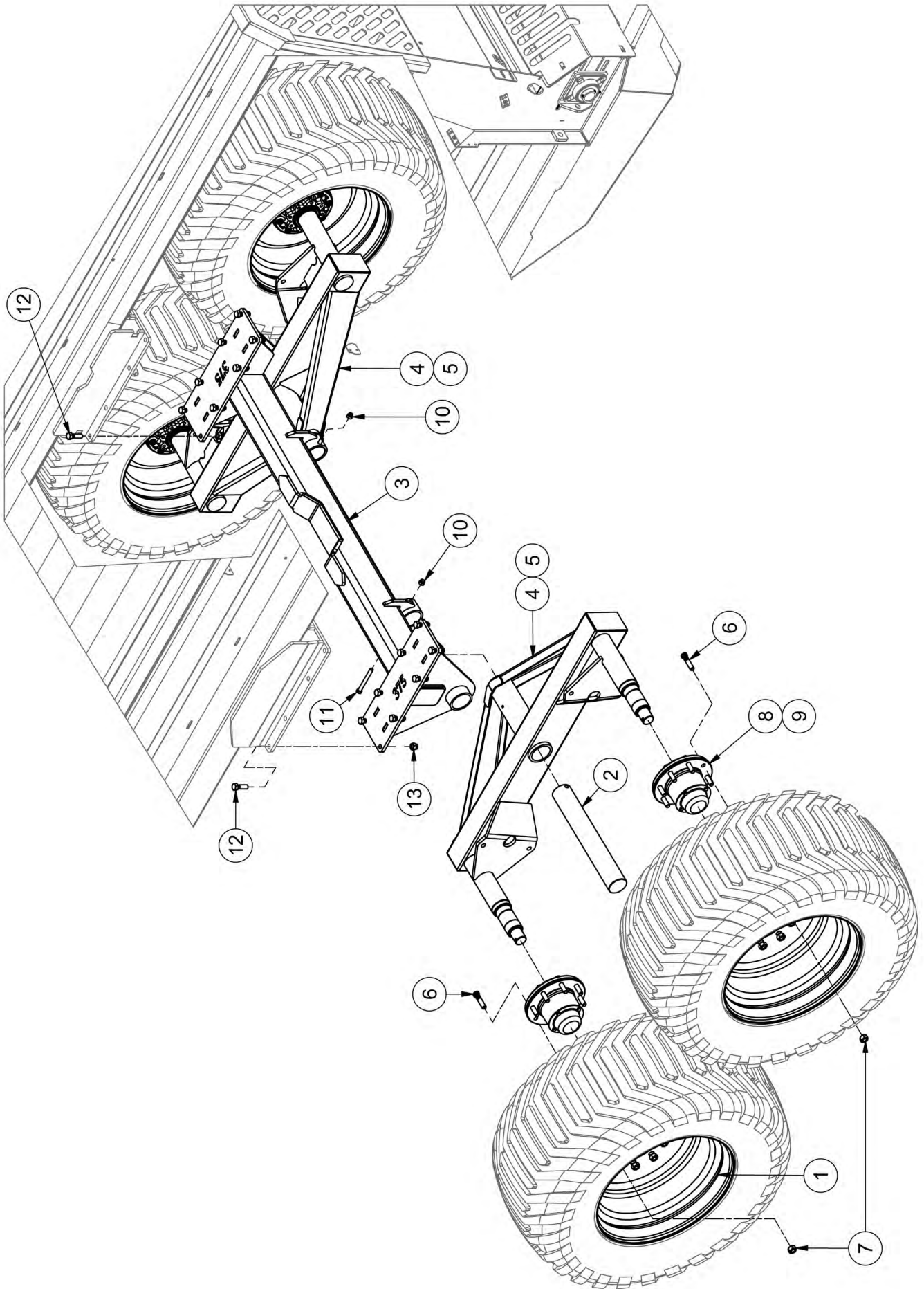
| ITEM | QTY | PART NUMBER     | DESCRIPTION                                      | NOTE                |
|------|-----|-----------------|--|---------------------|
| 1    | 2   | 25502           | Walking Beam Pin, CRS 3.0                        |                     |
| 2    | 4   | 400-429         | Tandem Rim WHE 1622.5                            |                     |
| 3    | 2   | 26042           | 325 Walking Beam w/o Brake Flanges               | Incl. Items 4-8     |
| 4    | 1   | 48718           | 325 Walking Beam Weldment w/o Brake Flanges      | Qty= 1 Walking Beam |
| 5    | 2   | HUB 12000       | Spreader Hub Model 450-600 HUB12000              | Qty= 1 Walking Beam |
| 6    | 8   | 31531           | F58-2625 Wheel Stud (12000 Lbs Hub)              | Qty= 1 Walking Beam |
| 7    | 8   | 31532           | F58 Conenut                                      | Qty= 1 Walking Beam |
| 8    | 1   | HUB 12000-CCS   | Complete Bearing and Seals for HUB12000          | Qty= 1 Walking Beam |
| 9    | 2   | HB1/2-20X4.5YZ8 | Hex Bolt 1/2-20x4 1/2 Grade 8 Zinc Hex Cap Screw |                     |
| 10   | 2   | LN1/2-20NFZ5    | Center Locknuts (1/2-20) 2-Way Fine Thread       |                     |

**NOTE:** Refer to [pg.2-34](#) for walking beams with brake flanges.

| NITRO 375RS TIRE CHART |                  |                        |
|------------------------|------------------|------------------------|
| Axle Type              | Part Number      | Tire Size              |
| Single                 | WHE 600X65X34    | 600/65-34              |
| Tandem                 | WHE 425X65X22.5L | 425/22.5 Recap (Truck) |
| Tandem                 | WHE 550X45X22.5  | 550/45-22.5            |

**NOTE:** Refer to Nitro Operator's Manual for wheel load capacity charts.

# Tandem Axle - Optional Brake Compatible





## Tandem Axle - Optional Brake Compatible

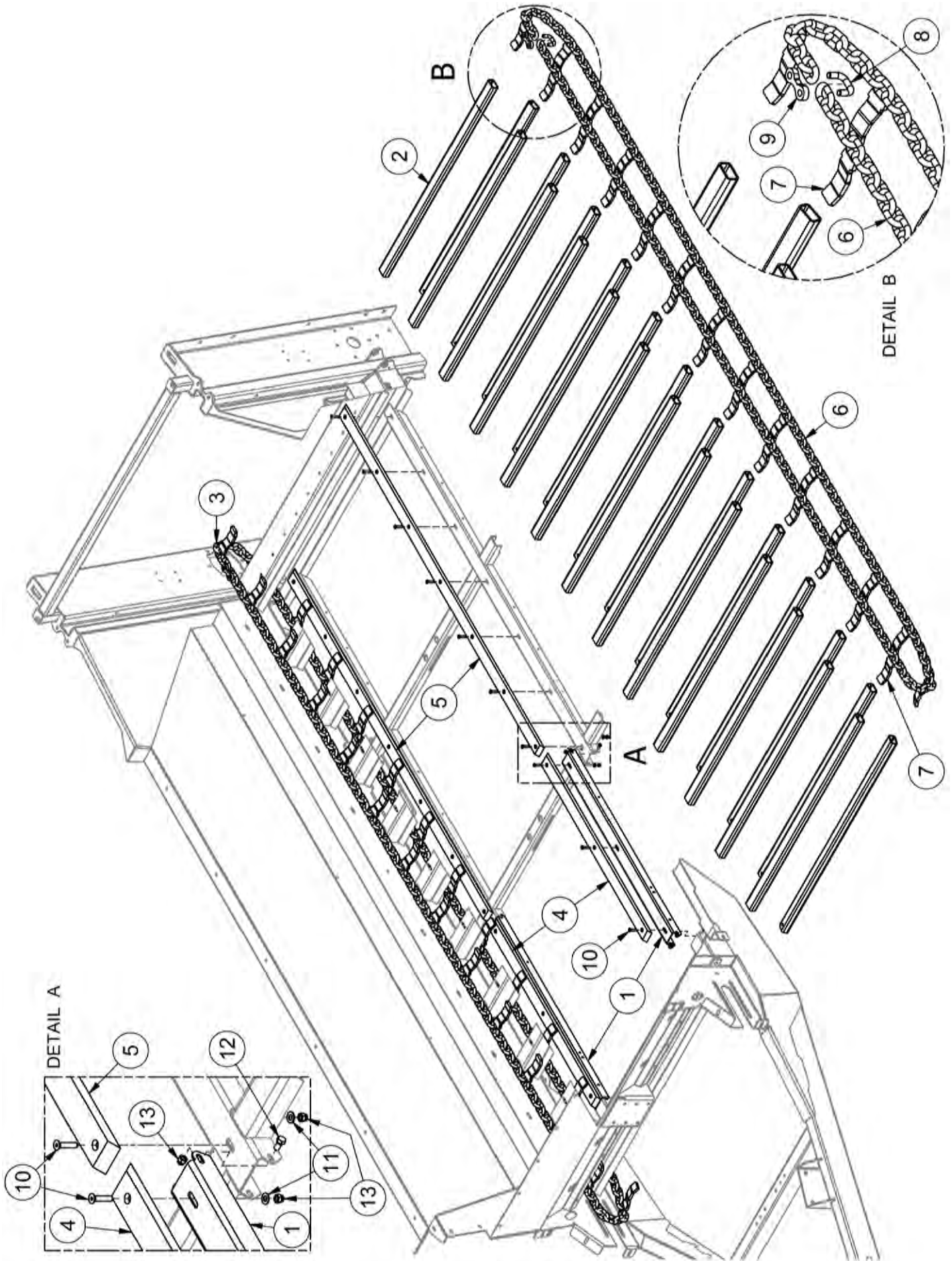
| ITEM | QTY | PART NUMBER     | DESCRIPTION   | NOTE                |
|------|-----|-----------------|---|---------------------|
| 1    | 4   | 400-429         | Tandem Rim WHE 1622.5                               |                     |
| 2    | 2   | 25502           | Walking Beam Pin, CRS 3.0                           |                     |
| 3    | 1   | 42759           | 375 Tandem Axle                                     |                     |
| 4    | 2   | 42855           | 325/308 Walking Beam w/2 Brake Flanges              | Incl. Items 5-9     |
| 5    | 1   | 48717           | 325 Walking Beam Weldment w/ Brake Flanges          | Qty= 1 Walking Beam |
| 6    | 8   | F58-225         | Wheel Stud for 12000# Hub                           | Qty= 1 Walking Beam |
| 7    | 8   | F58-CONE NUT    | Wheel Nut for 12000# Hub                            | Qty= 1 Walking Beam |
| 8    | 2   | HUB 12000       | Spreader Hub Model 450-600 HUB12000                 | Qty= 1 Walking Beam |
| 9    | 2   | HUB 12000-CCS   | Complete Bearing and Seals for HUB12000             | Qty= 1 Walking Beam |
| 10   | 2   | LN1/2-20NFZ5    | Center Locknuts (1/2-20) 2-Way Fine Thread          |                     |
| 11   | 2   | HB1/2-20X4.5YZ8 | Hex Bolt 1/2-20x4 1/2 Grade 8 Zinc Hex Cap Screw    |                     |
| 12   | 16  | HB5/8-11X2Z5    | Hex Bolt 5/8-11x2 Grade 5 Zinc Plated Hex Cap Screw |                     |
| 13   | 16  | LN5/8-11NCZ5    | LN 5/8-11 Zinc Plated Nylon Insert Lock Nut         |                     |

**NOTE:** Refer to [pg.2-36](#) for walking beams without brake flanges.

| NITRO 375RS TIRE CHART |                  |                        |
|------------------------|------------------|------------------------|
| Axle Type              | Part Number      | Tire Size              |
| Single                 | WHE 600X65X34    | 600/65-34              |
| Tandem                 | WHE 425X65X22.5L | 425/22.5 Recap (Truck) |
| Tandem                 | WHE 550X45X22.5  | 550/45-22.5            |

**NOTE:** Refer to Nitro Operator's Manual for wheel load capacity charts.

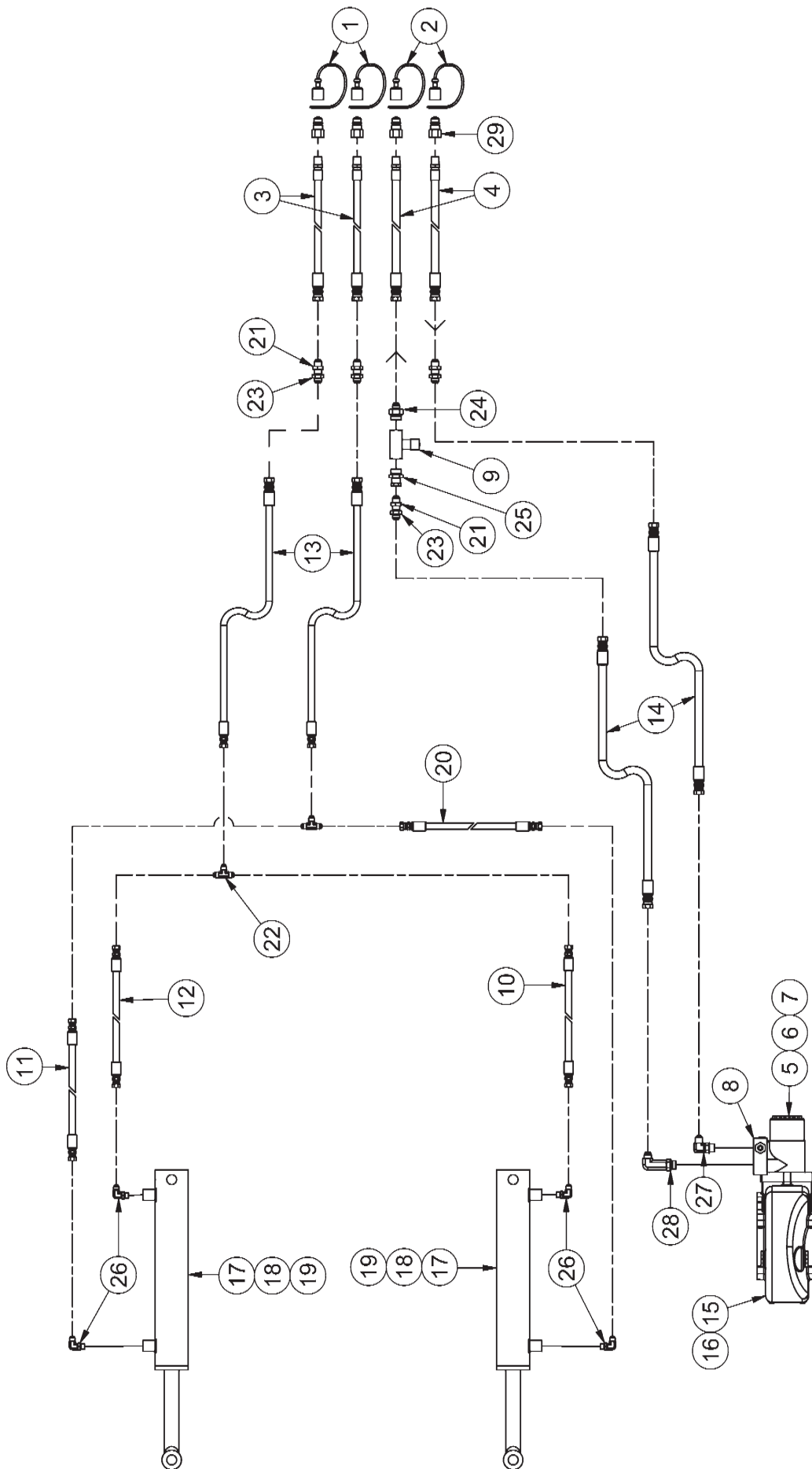
# Apron Runners



## Apron Runners

| ITEM | QTY | PART NUMBER      | DESCRIPTION  | NOTE     |
|------|-----|------------------|--|----------|
| 1    | 2   | 37588            | Chain Return Slide                                 |          |
| 2    | 26  | 37820            | Slat   |          |
| 3    | 1   | 39375            | Right Side Chain                                   |          |
| 4    | 2   | 39388            | Front Wear Board                                   |          |
| 5    | 2   | 39389            | Rear Wear Board                                    |          |
| 6    | 1   | 39391            | Left Chain Side                                    |          |
| 7    | 26  | 37870            | 5/8" Chain Lug                                     | Qty/Side |
| 8    | 2   | 400-889          | Chain Connector Link                               |          |
| 9    | 2   | 400-890          | Chain Connector Link Tab                           |          |
| 10   | 20  | FHSCS3/8-16X1.75 | Flat Socket Cap Screw 3/8"-16 x 1 3/4"             |          |
| 11   | 20  | FW 3/8           | Flatwasher - 3/8" Zinc Plated USS                  |          |
| 12   | 8   | HB3/8-16X0.75Z5  | Hex Bolt 3/8-16x3/4 Gr 5 Zinc Plated Hex Cap Screw |          |
| 13   | 28  | LN3/8-16NCZ5     | LN 3/8-16 Zinc Plated Nylon Insert Lock Nut        |          |

# Hydraulic Layout





## Hydraulic Layout

| ITEM | QTY | PART NUMBER     | DESCRIPTION   | NOTE                 |
|------|-----|-----------------|---|----------------------|
| 1    | 2   | 22946-2         | Dust Cap, 1/2", Female, Yellow Colour               |                      |
| 2    | 2   | 22946-4         | Dust Cap, 1/2", Female, Red Colour                  |                      |
| 3    | 2   | 30654           | Hose - HH73- 6AT1(8FJXH-8MP HCL 73"                 |                      |
| 4    | 2   | 30661           | Hose - HH69- 8AT1(8FJXH-8MP) HCL69"                 |                      |
| 5    | 1   | 30854           | Hydraulic Motor - Spreaders                         | Standard             |
| 6    | 1   | 40718           | Hydraulic Motor - Scale Speed Sensor                | Scale Option Only    |
| 7    | 1   | SK-SMRS-SK      | Gearbox Motor Seal Kit                              |                      |
| 8    | 1   | 30856           | Hydraulic Cross Port Relief for Motor- Spreaders    |                      |
| 9    | 1   | 30857           | Flow Control Valve - 3/4"                           |                      |
| 10   | 1   | 31642           | Hose - HH76- 6AT1(6FJX-6FJX) HCL 76"                |                      |
| 11   | 1   | 31643           | Hose - HH81- 6AT1(6FJX-6FJX) HCL 81"                |                      |
| 12   | 1   | 31644           | Hose - HH22- 6AT1(6FJX-6FJX) HCL 22"                |                      |
| 13   | 2   | 31648           | Hose - HH295- 6AT1(8FJX-6FJX) HCL 295"              |                      |
| 14   | 2   | 31649           | Hose - HH316- 8AT1(8FJX-8FJX) HCL 316"              |                      |
| 15   | 1   | 34001           | Gear Box for Spreader Apron- RT420(N375)            | Up to 22NRS274       |
| 16   | 1   | 49994           | CNM350 Apron Gear Box                               | 23NRS201 - Current   |
| 17   | 2   | 37344           | Nitro 375 Gate Cylinder 2.0 x 48 x 1.5              |                      |
| 18   | 2   | SKFH20-15       | Seal Kit for 2" Cylinder Bore (Frankor) w/ 1.5" Rod | Up to 22NRS274       |
| 19   | 2   | HYS-SK-4862 HYS | Hyspec Seal Kit                                     | 23NRS201 - Current   |
| 20   | 1   | 37871           | Hose - HH125- 6AT1(6FJX-6FJX) HCL 125"              |                      |
| 21   | 4   | HF 306-8        | Hyd Fitting 1/2 Adjustable Locknut                  |                      |
| 22   | 2   | HF 2603-6-6-6   | Male JIC Tee  |                      |
| 23   | 4   | HF 2700LN-08-08 | Hydraulic Fitting - MJIC to MJIC                    |                      |
| 24   | 1   | HF 6400-8-12    | Hyd. Fitting  | Replaces HF2404-8-12 |
| 25   | 1   | HF 6402-12-8    | Hyd. Fitting #12 Male O-Ring to #8 F JIC            | Replaces HF6505-12-8 |
| 26   | 4   | HF 6801-6-6     | Hydraulic Fitting - 90 Degree JIC to O-Ring         |                      |
| 27   | 1   | HF 6801-8-10    | Hyd. Fitting - 1/2" JIC - 5/8" 90° Elbow            |                      |
| 28   | 1   | HF 6801-8-10-LL | Hyd. Fitting - 1/2" JIC - 5/8" 90 Degree Elbow      |                      |
| 29   | 4   | HF 8010-4       | Quickcoupler 1/2" Male Tip                          |                      |

*Intentionally Left Blank*

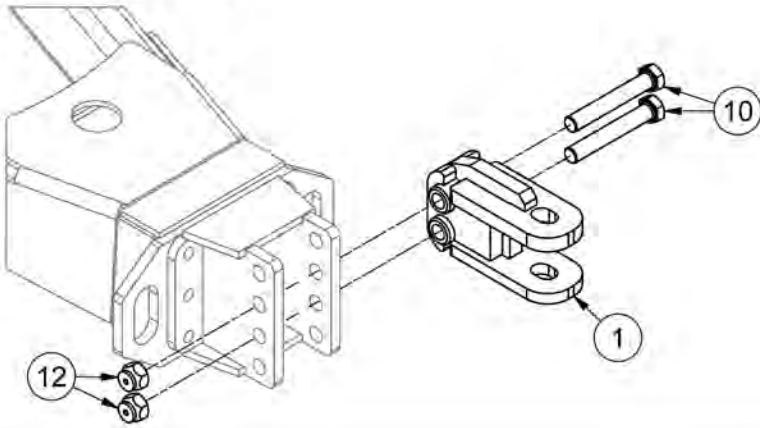
## Section 3 - Optional Features

### Optional Kit Numbers

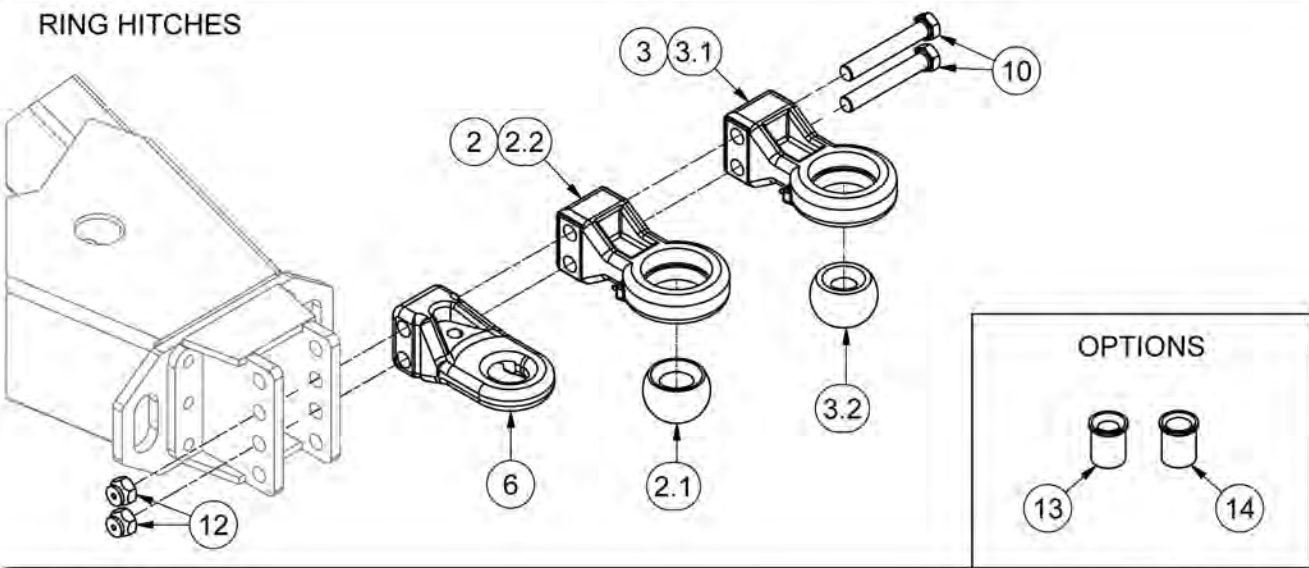
| KIT NUMBER   | DESCRIPTION                              | PAGE(S)                    | NOTE |
|--------------|--|----------------------------|------|
|              | Hitches                                  | <a href="#">Pg.3-2,3</a>   |      |
| 43622        | Mechanical Light Kit                     | <a href="#">Pg.3-4/7</a>   |      |
| TLVLK-375M   | Manual Light Kit                         |                            |      |
|              | Light Kit Base                           | <a href="#">Pg.3-8,9</a>   |      |
|              | Manual Light Kit                         | <a href="#">Pg.3-10</a>    |      |
|              | Wiring Harness                           | <a href="#">Pg.3-14,15</a> |      |
| TLVLK-375    | Hydraulic Light Kit                      |                            |      |
|              | Light Kit Base                           | <a href="#">Pg.3-8,9</a>   |      |
|              | Hydraulic Light Kit Cylinders            | <a href="#">Pg.3-11</a>    |      |
|              | Hydraulic Light Kit Hoses                | <a href="#">Pg.3-12,13</a> |      |
|              | Wiring Harness                           | <a href="#">Pg.3-14,15</a> |      |
| N375SB       | Single Axle Brake Kit                    | <a href="#">Pg.3-16</a>    |      |
| N375TB       | Tandem Axle Brake Kit                    | <a href="#">Pg.3-17</a>    |      |
| N750LC       | 5 Point Scale System                     | <a href="#">Pg.3-18</a>    |      |
| N750LCNT460  | 5 Point Scale System with GPS            | <a href="#">Pg.3-18</a>    |      |
| N750LCNT8000 | Automatic Scale Rate Control Base System | <a href="#">Pg.3-19</a>    |      |
|              | Flow Control Mounting                    | <a href="#">Pg.3-20</a>    |      |
| 31797        | Electric Flow Control                    |                            |      |
|              | Flow Control Hydraulic Layout - Electric | <a href="#">Pg.3-22,23</a> |      |
|              | Electric Flow Control Wiring             | <a href="#">Pg.3-24,25</a> |      |
| 31578        | Manual Flow Control                      |                            |      |
|              | Flow Control Hydraulic Layout - Manual   | <a href="#">Pg.3-21</a>    |      |
| 45861        | Endgate Indicator Kit                    | <a href="#">Pg.3-26,27</a> |      |

# Hitch Options

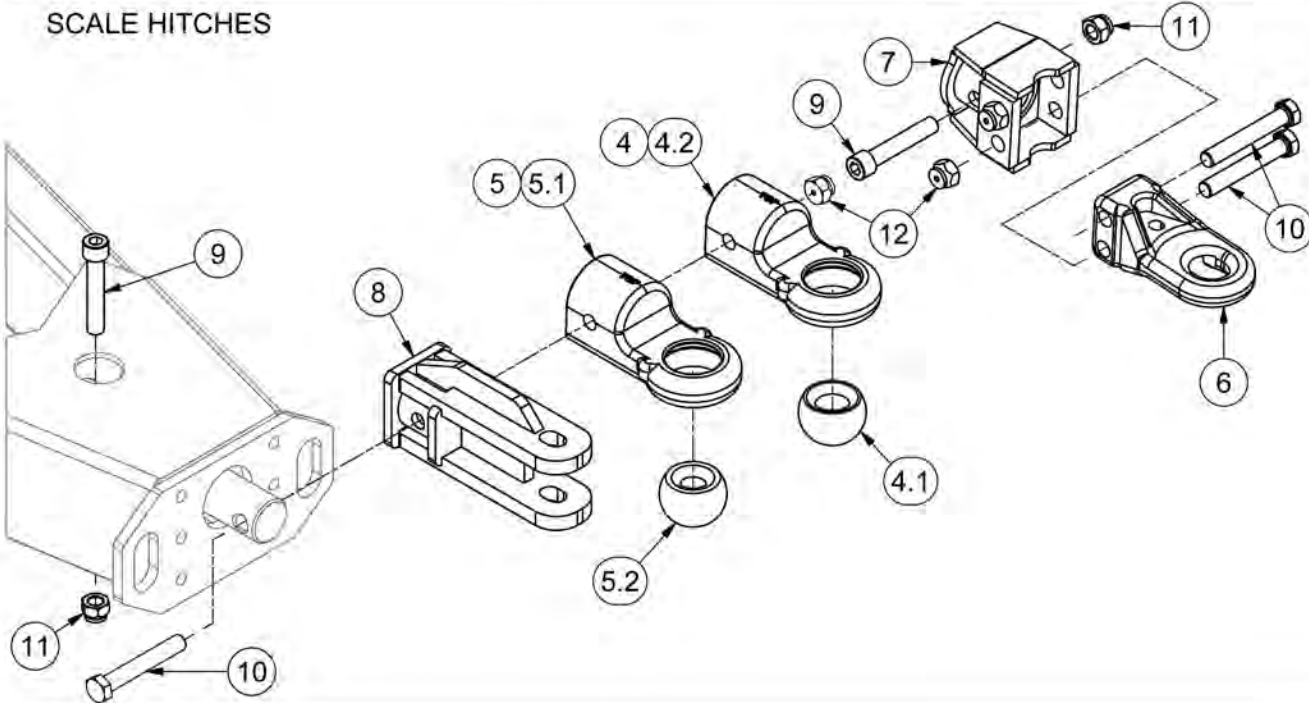
## CLEVIS HITCH



## RING HITCHES



## SCALE HITCHES



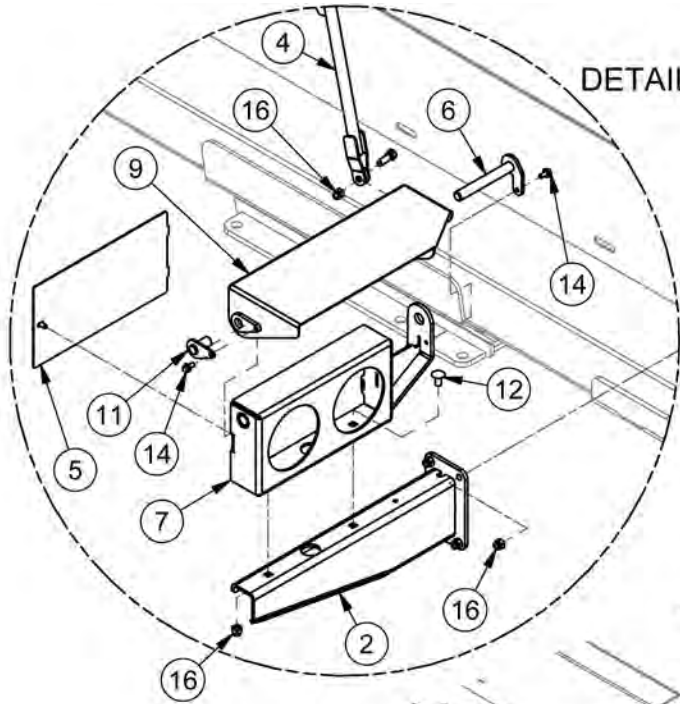


## Hitch Options

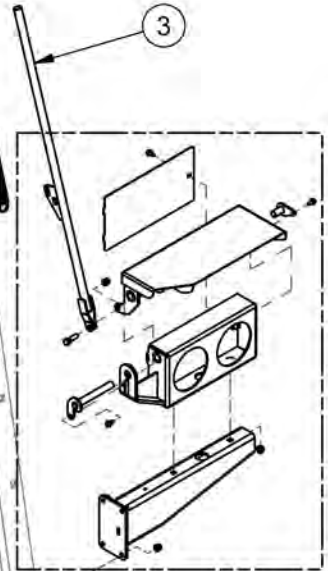
| ITEM | QTY | PART NUMBER   | DESCRIPTION                                    | WHERE USED    | NOTE                        |
|------|-----|---------------|--|---------------|-----------------------------|
| 1    | 1   | 40471         | Clevis Hitch Weldment                          | Up to N575RS  | Standard - Replaces 30826   |
| 2    |     | 39290         | Power Pin Cat 3 Ball Hitch Assembly 2" Pin     | All Models    | Option                      |
| 2.1  | 1   | 39291         | Power Pin 2" Ball Cat.3 Hitch                  |               |                             |
| 2.2  | 1   | 44994         | Power Pin Cat.3 Ball Hitch Base                |               |                             |
| 3    |     | 40865         | Power Pin Cat 3 Ball Hitch Assembly 1.5" Pin   | All Models    | Option                      |
| 3.1  | 1   | 44994         | Power Pin Cat.3 Ball Hitch Base                |               |                             |
| 3.2  | 1   | 39994         | Power Pin 1.5" Ball Cat.3 Hitch                |               |                             |
| 4    |     | 41956         | Rollover Ball Hitch 2.0" ID Cat.4              | All Models    | Requires Scale Option       |
| 4.1  | 1   | 39291         | Power Pin 2" Ball Hitch                        |               | Category 3 & 4              |
| 4.2  | 1   | 45033         | Articulating Ball Hitch Base                   |               |                             |
| 5    |     | 45034         | Rollover Ball Hitch 1.5" ID Cat.4              | All Models    | Requires Scale Option       |
| 5.1  | 1   | 45033         | Articulating Ball Hitch Base                   |               |                             |
| 5.2  | 1   | 39994         | Power Pin 1.5" Ball Cat.3 Hitch                |               |                             |
| 6    |     | 32853         | Cat.4 Hitch Base                               | N600 - N1050  | Standard - Replaces 43060   |
| 7    | 1   | 36241         | Cell Hitch                                     |               | Requires Scale Option       |
| 8    | 1   | 42550         | Cell Clevis Hitch                              | 275RS - 575RS | Requires Scale Option       |
| 9    |     | SHCS1-8X5.5   | Hex Bolt - 1-8 x 5 1/2 Socket Head Cap Screw   |               |                             |
| 10   |     | HB1-14X6.5YZ8 | Hex Bolt 1-14x6 1/2 Grade 8 Zinc Hex Cap Screw |               |                             |
| 11   |     | LN1-8NCZ5     | LN 1-8 Zinc Plated Nylon Insert Lock Nut       |               |                             |
| 12   |     | LN1-14NFZ5    | Center Locknuts (1-14) 2-Way Fine Thread       |               |                             |
| 13   | 1   | 45826         | Hitch Insert Bushing (2.0"-1.25")              | Optional      | Requires hitch with 2" Ball |
| 14   | 1   | 45827         | Hitch Insert Bushing (2.0"-1.5")               | Optional      | Requires hitch with 2" Ball |

# Mechanical Light Kit (43622) - SN 19NRS200 to Current

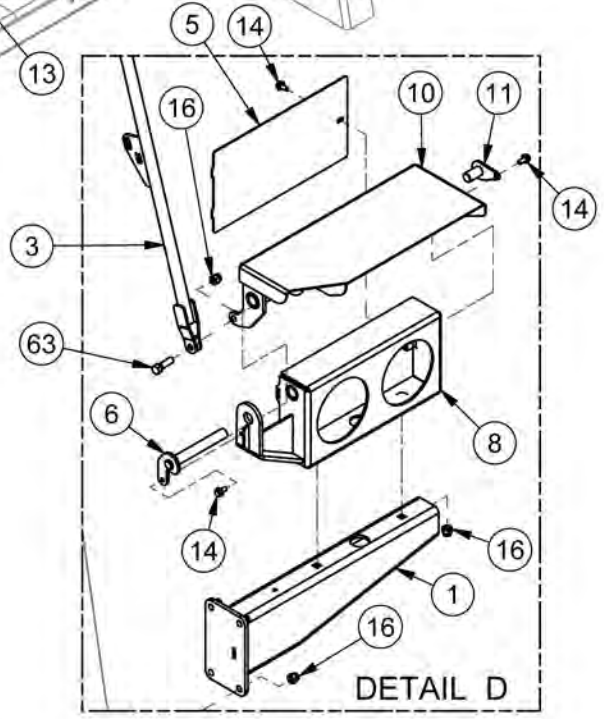
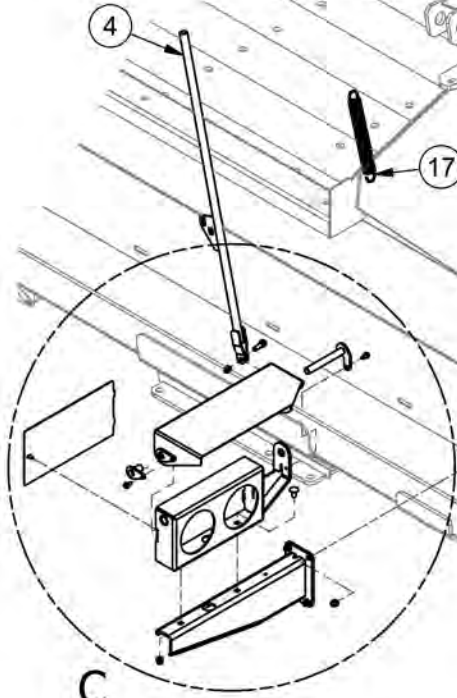
DETAIL C



D



C

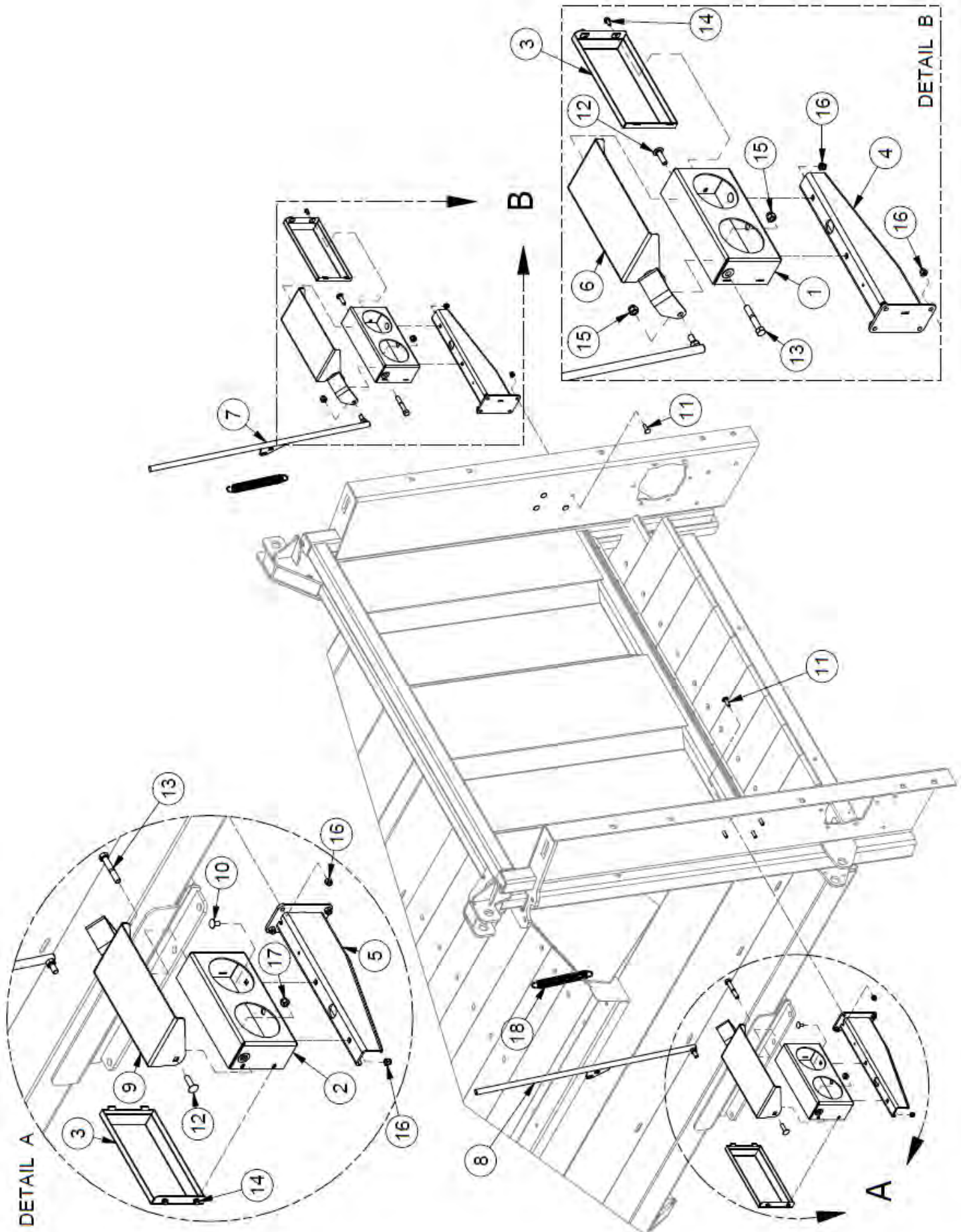


DETAIL D

## Mechanical Light Kit (43622) - SN 19NRS200 to Current

| ITEM | QTY | PART NUMBER      | DESCRIPTION  |
|------|-----|------------------|--|
| 1    | 1   | 42139            | Right Light Bracket                                  |
| 2    | 1   | 42140            | Left Light Bracket                                   |
| 3    | 1   | 42151            | Right Manual Light Push Arm                          |
| 4    | 1   | 42152            | Left Manual Light Push Arm                           |
| 5    | 2   | 43178            | Light Box Cover                                      |
| 6    | 2   | 43204            | Inner Pin  |
| 7    | 1   | 43206            | Left Light Box                                       |
| 8    | 1   | 43207            | Right Light Box                                      |
| 9    | 1   | 43208            | Left Light Cover                                     |
| 10   | 1   | 43209            | Right Light Cover                                    |
| 11   | 2   | 43213            | Outer Pin  |
| 12   | 4   | CB3/8-16X0.75CZ5 | Carriage Bolt - 3/8-16 x 3/4" Grade 5 Zinc           |
| 13   | 8   | CB3/8-16X1.25CZ5 | Carriage Bolt - 3/8-16 x 1 1/4" Grade 5 Zinc         |
| 63   | 2   | HB3/8-16X1.25Z5  | Hex Bolt 3/8-16x1 1/4 Gr 5 Zinc Plated Hex Cap Screw |
| 14   | 6   | HBC1/4X0.5       | Hex Bolt Cerrated 1/4-20 x 1/2 Zinc Flange Bolt      |
| 16   | 14  | LN3/8-16NCZ5     | LN 3/8-16 Zinc Plated Nylon Insert Lock Nut          |
| 17   | 2   | PP00679          | Spring 2-TE 86B (AC-08044, AC-08036)                 |

# Mechanical Light Kit (43622) - Up to SN 18NRS254



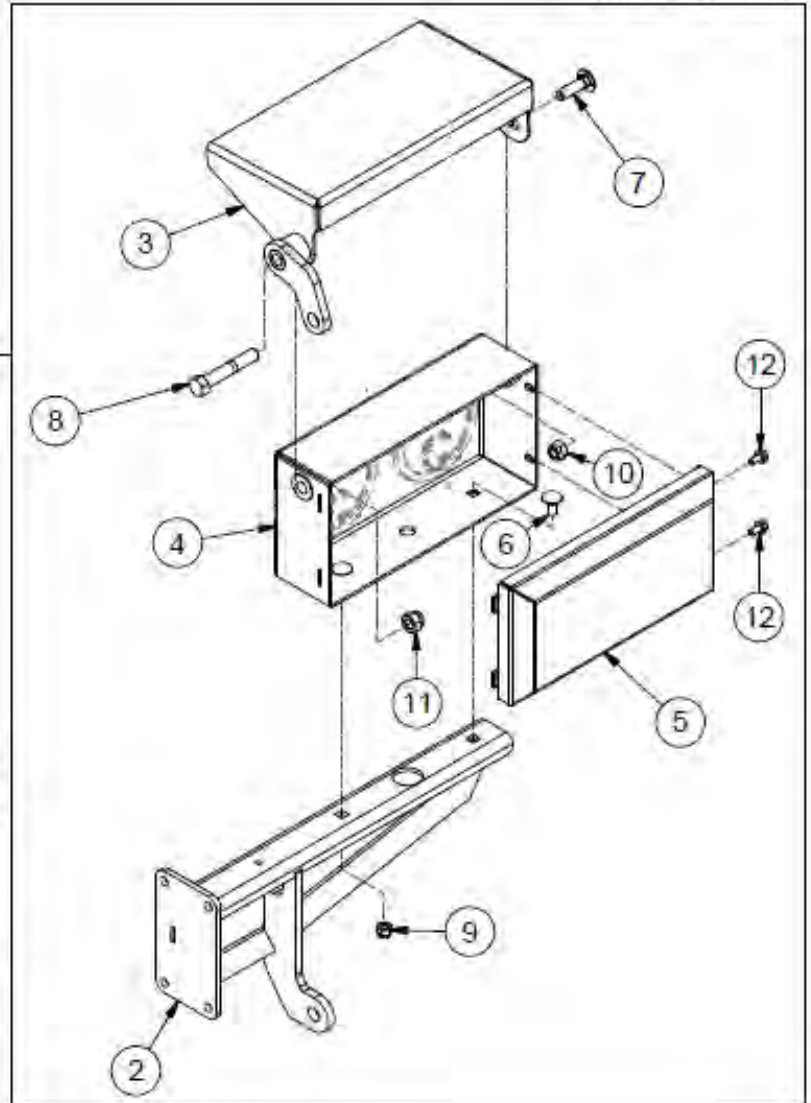


## Mechanical Light Kit (43622) - Up to SN 18NRS254

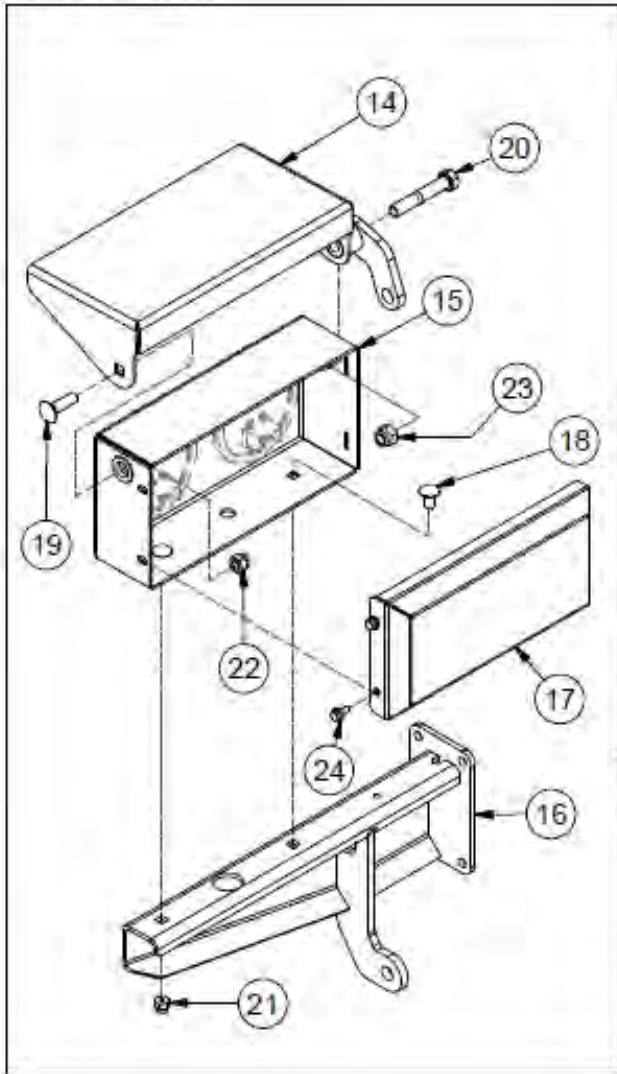
| ITEM | QTY | PART NUMBER        | DESCRIPTION   |
|------|-----|--------------------|---|
| 1    | 1   | 400-356            | Right Light Housing                                 |
| 2    | 1   | 400-940            | Left Light Housing                                  |
| 3    | 2   | 400-943            | Light Housing Lid                                   |
| 4    | 2   | 42139              | Right Light Bracket                                 |
| 5    | 2   | 42140              | Left Light Bracket                                  |
| 6    | 1   | 42149              | Left Light Cover                                    |
| 7    | 1   | 42151              | Right Manual Light Push Arm                         |
| 8    | 1   | 42152              | Left Manual Light Push Arm                          |
| 9    | 1   | 42153              | Right Light Cover                                   |
| 10   | 8   | CB 3/8-16 X0.75 Z5 | Carriage Bolt - 3/8-16 x 3/4" Grade 5 Zinc          |
| 11   | 8   | CB 3/8-16 X1.25 Z5 | Carriage Bolt - 3/8-16 x 1 1/4" Grade 5 Zinc        |
| 12   | 2   | CB 7/16-14 X1.5 Z5 | Carriage Bolt - 7/16-14 x 1 1/2" Grade 5 Zinc       |
| 13   | 2   | HB 1/2-13X3 Z5     | Hex Bolt 1/2-13x3 Grade 5 Zinc Plated Hex Cap Screw |
| 14   | 10  | HBC1/4X0.5         | Hex Bolt Cerrated 1/4-20 x 1/2 Zinc Flange Bolt     |
| 15   | 2   | LN 1/2 N           | LN 1/2-13 Zinc Plated Nylon Insert Lock Nut         |
| 16   | 12  | LN 3/8 N           | LN 3/8-16 Zinc Plated Nylon Insert Lock Nut         |
| 17   | 2   | LN 7/16 N          | LN 7/16-14 Zinc Plated Nylon Insert Lock Nut        |
| 18   | 2   | PP00679            | Spring 2-TE 86B (AC-08044, AC-08036)                |

# Lights - Up to SN 18NRS244

Item 1 - 400-850



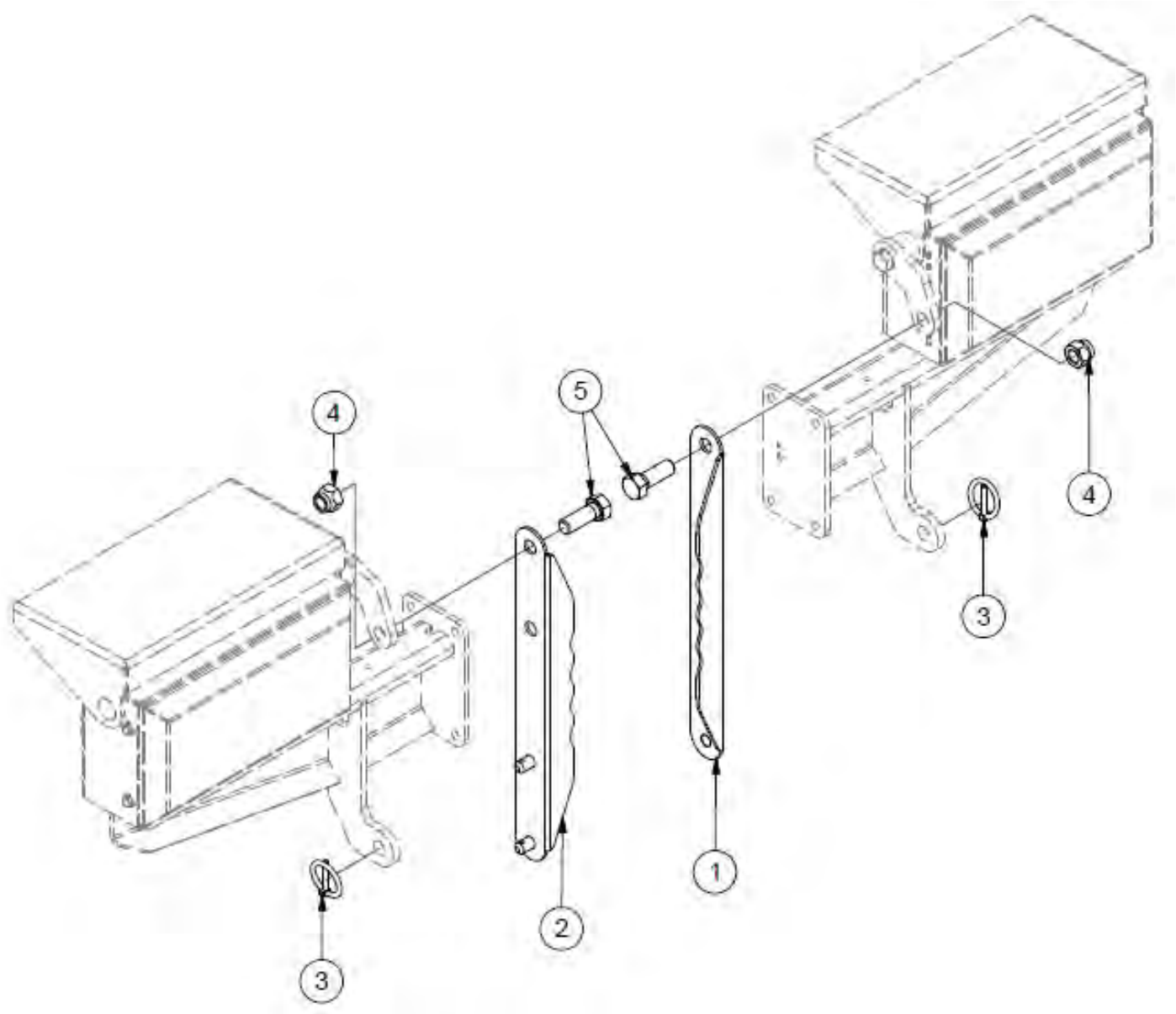
Item 13 - 400-855



## Lights - Up to SN 18NRS244

| ITEM | QTY | PART NUMBER         | DESCRIPTION   |
|------|-----|---------------------|---|
| 1    | 1   | 400-850             | Left Light Assembly                                       |
| 2    | 1   | 400-354             | Left Light Mount Bar                                      |
| 3    | 1   | 400-939             | Left Light Cover  |
| 4    | 1   | 400-940             | Left Light Housing  |
| 5    | 1   | 400-943             | Light Housing Lid   |
| 6    | 2   | CB 3/8-16X 3/4 Z5   | Carriage Bolt - 3/8-16 x 3/4" Grade 5 Zinc                |
| 7    | 1   | CB 7/16-14X1.1/2 Z5 | Carriage Bolt - 7/16-14 x 1 1/2" Grade 5 Zinc             |
| 8    | 1   | HB 1/2-13X3.0 Z5    | Hex Bolt 1/2-13 x 3" Grade 5 Zinc Plated Hex Cap Screw NC |
| 9    | 2   | LN 3/8 N            | Locknuts - 3/8-16 Zinc Plated Nylon Insert Lock Nut       |
| 10   | 1   | LN 7/16             | Center Locknuts - 7/16-14 Top Lock Nut                    |
| 11   | 1   | LN 1/2 N            | Locknuts - 1/2-13 Zinc Plated Nylon Insert Lock Nut       |
| 12   | 2   | HBC14X12            | Hex Bolt 1/4-20 x 1/2 Grade 8.2 Zinc Flange Bolt SAE      |
| 13   | 1   | 400-855             | Right Light Assembly                                      |
| 14   | 1   | 400-355             | Right Light Cover   |
| 15   | 1   | 400-356             | Right Light Housing                                       |
| 16   | 1   | 400-941             | Right Light Mounting Bar                                  |
| 17   | 1   | 400-943             | Light Housing Lid   |
| 18   | 2   | CB 3/8-16X 3/4 Z5   | Carriage Bolt - 3/8-16 x 3/4" Grade 5 Zinc                |
| 19   | 1   | CB 7/16-14X1.1/2 Z5 | Carriage Bolt - 7/16-14 x 1 1/2" Grade 5 Zinc             |
| 20   | 1   | HB 1/2-13X3.0 Z5    | Hex Bolt 1/2-13 x 3" Grade 5 Zinc Plated Hex Cap Screw NC |
| 21   | 2   | LN 3/8 N            | Locknuts - 3/8-16 Zinc Plated Nylon Insert Lock Nut       |
| 22   | 1   | LN 7/16             | Center Locknuts - 7/16-14 Top Lock Nut                    |
| 23   | 1   | LN 1/2 N            | Locknuts - 1/2-13 Zinc Plated Nylon Insert Lock Nut       |
| 24   | 2   | HBC14X12            | Hex Bolt 1/4-20 x 1/2 Grade 8.2 Zinc Flange Bolt SAE      |

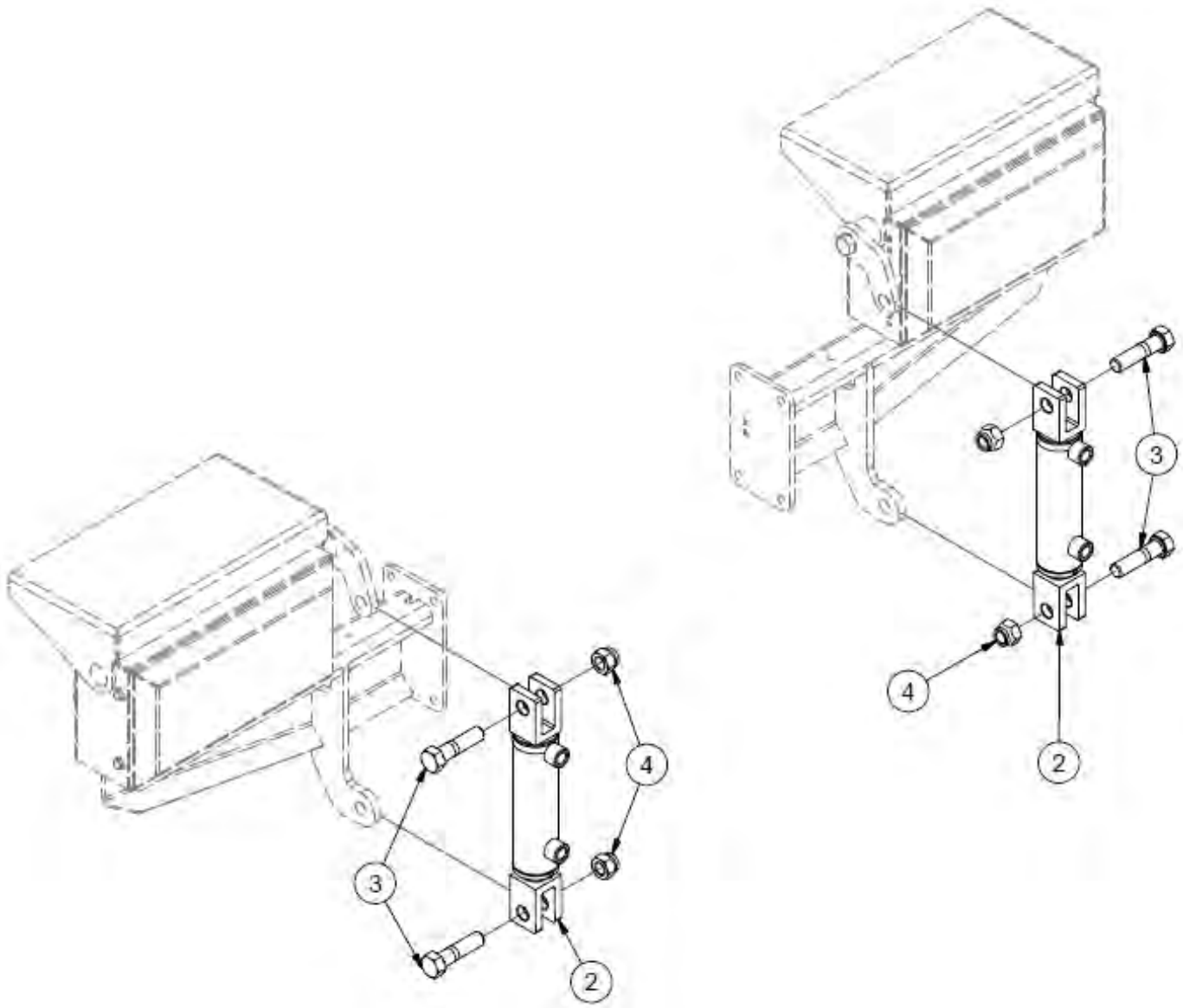
## Manual Light Kit - Up to SN 18NRS244



| ITEM | QTY | PART NUMBER        | DESCRIPTION  |
|------|-----|--------------------|--|
|      | 1   | 37773              | Manual Light Kit Assembly  |
| 1    | 1   | 37771              | Left Light Lid Link  |
| 2    | 1   | 37772              | Right Light Lid Link   |
| 3    | 2   | 25680              | Lynch Pin 3/16 x 1.5   |
| 4    | 2   | LN 5/8 N           | Locknut - 5/8-11 Zinc Plated Nylon Insert Lock Nut               |
| 5    | 2   | HB 5/8-11X1.3/4 Z5 | Hex Bolt - 5/8"-11 x 1-3/4" Grade 5 Zinc Plated Hex Cap Screw NC |



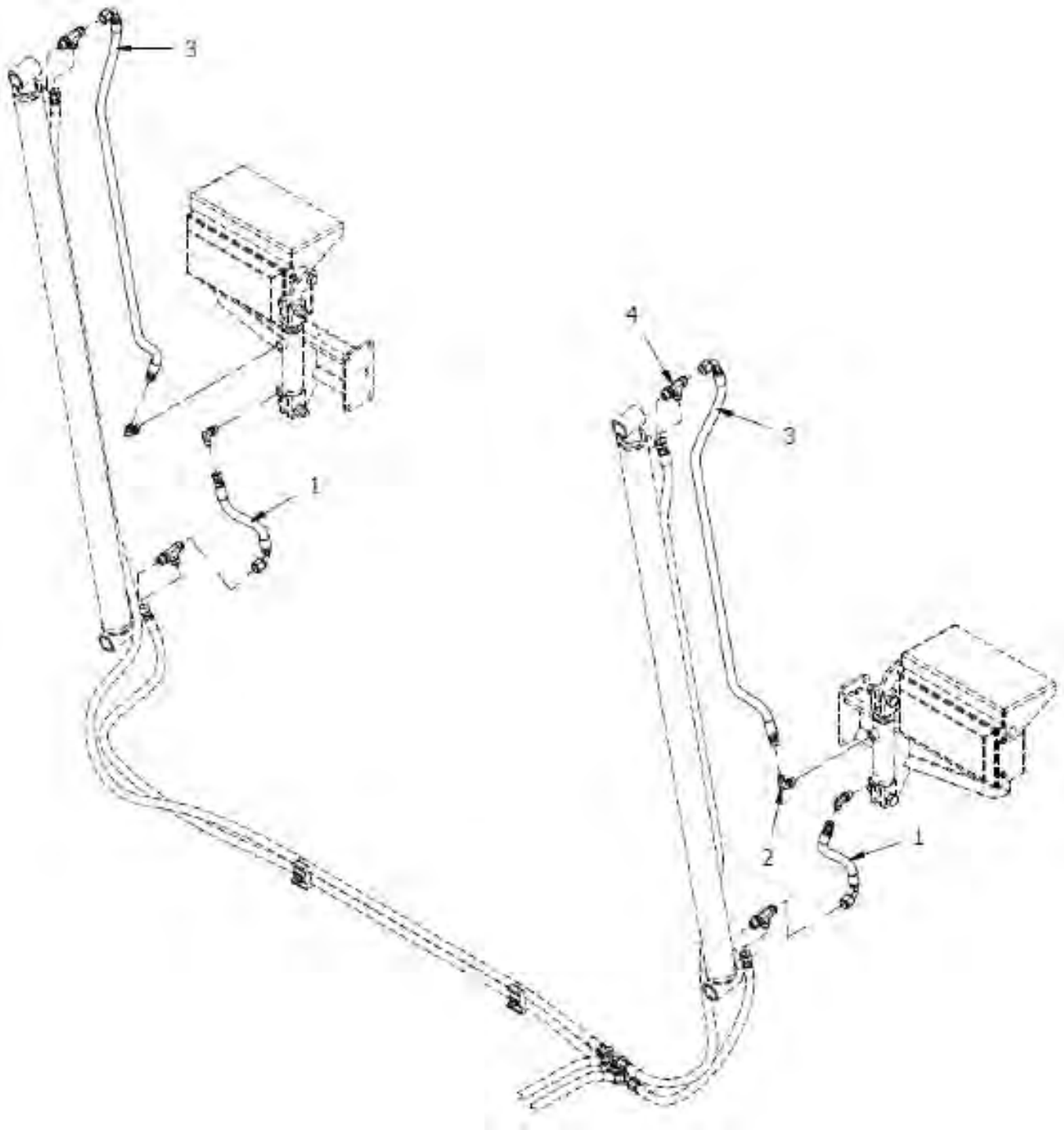
## Hydraulic Light Kit - Up to SN 18NRS244



| ITEM | QTY | PART NUMBER        | DESCRIPTION   |
|------|-----|--------------------|---|
| 1    | 1   | 37768              | Complete Hydraulic Kit*                                       |
| 2    | 2   | 31326              | Hydraulic Cylinder  |
| 3    | 4   | HB 5/8-11X2.1/2 Z5 | Hex Bolt 5/8-11 x 2 1/2" Grade 5 Zinc Plated Hex Cap Screw NC |
| 4    | 4   | LN 5/8 N           | Locknut - 5/8-11 Zinc Plated Nylon Insert Lock Nut            |

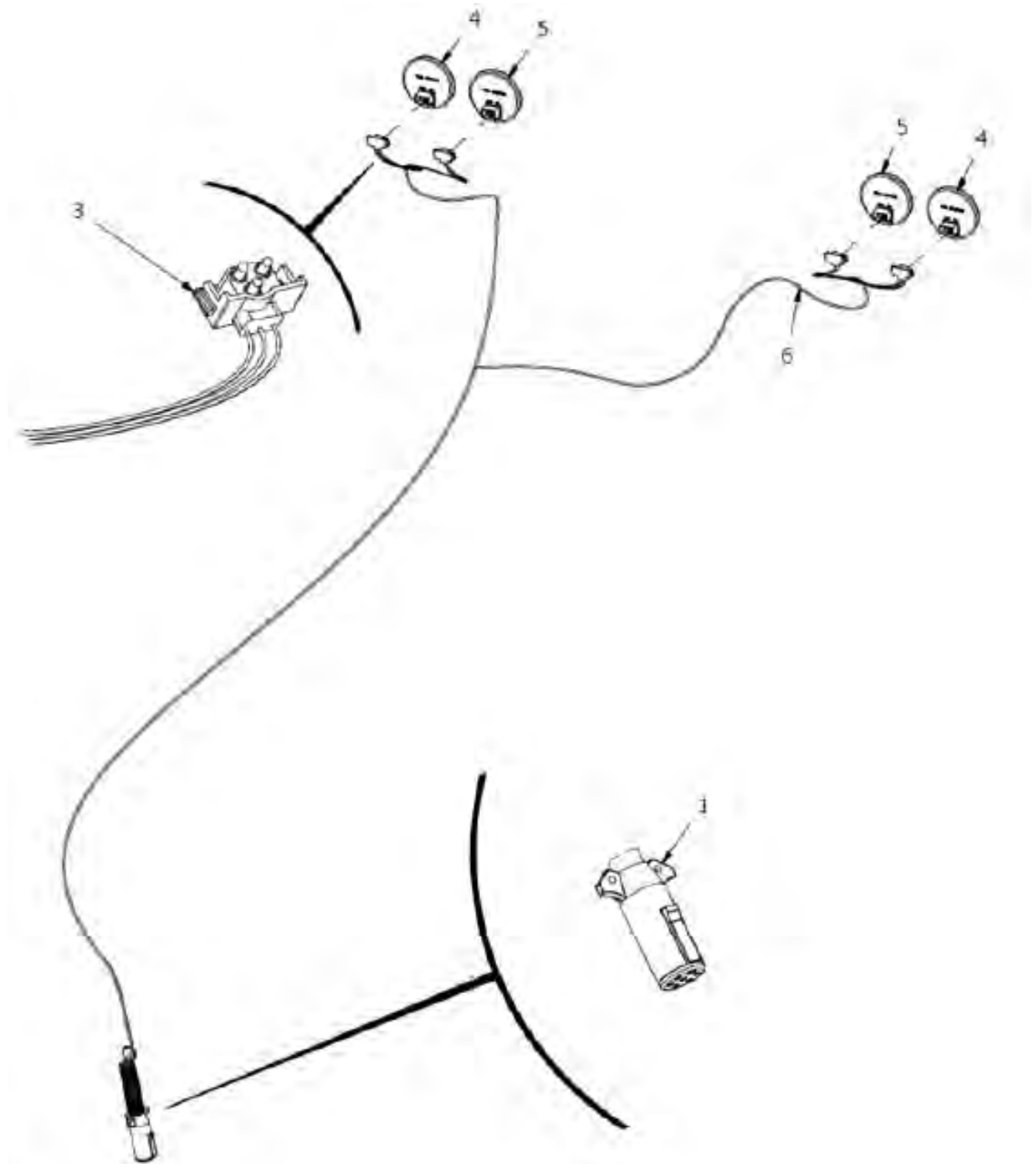
\*Includes hose kit on [pages 3-10,11](#).

## Light Kit Hydraulics - Up to SN 18NRS244



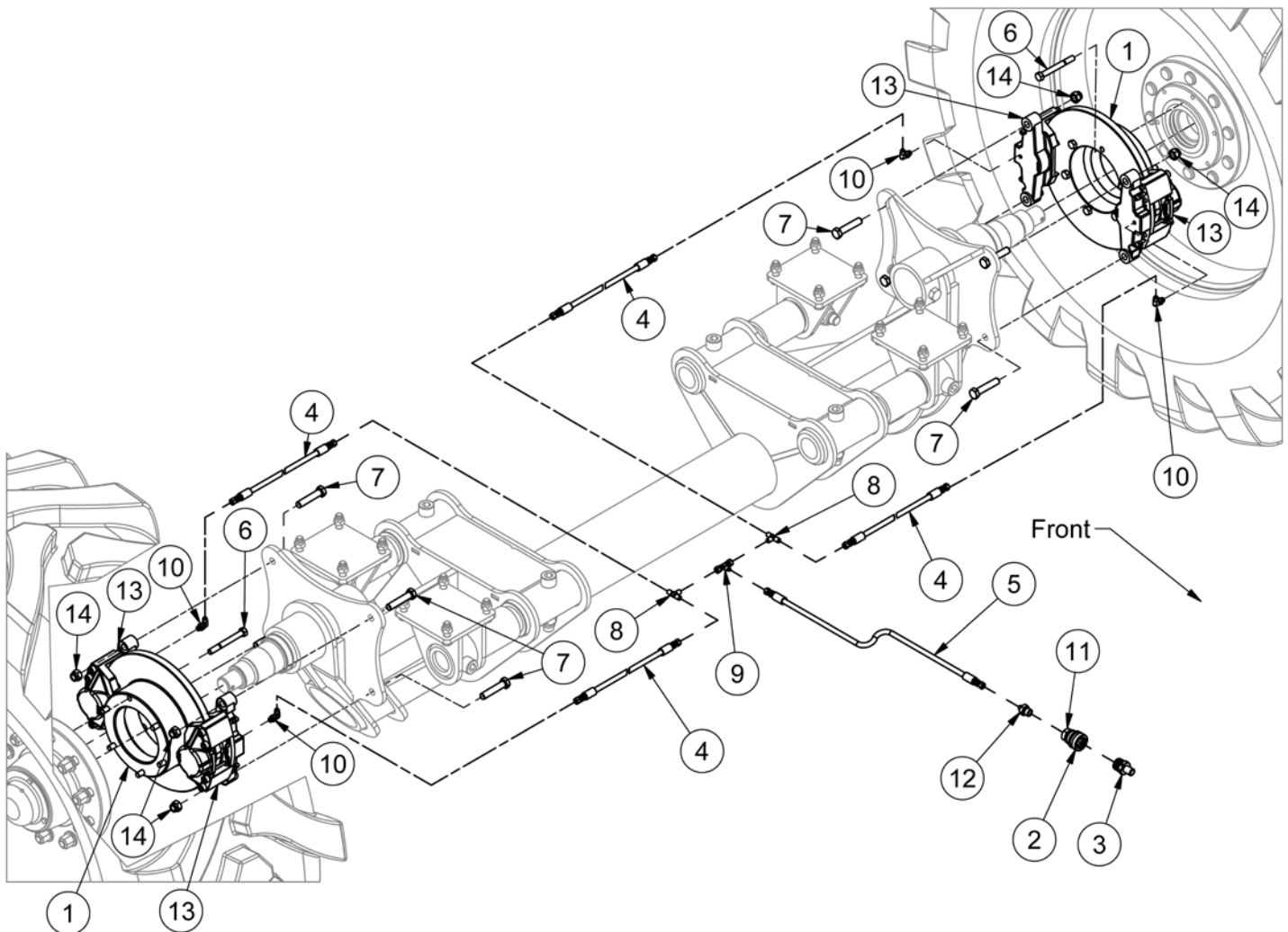
| ITEM | QTY | PART NUMBER | DESCRIPTION                       |
|------|-----|-------------|-----------------------------------|
| 1    | 2   | 30802       | 3/8 Hose - 59" (FJX-6, FJX90-6-6) |
| 2    | 4   | HF 6801-6-6 | Hydraulic Fitting                 |
| 3    | 2   | 30801       | 3/8 Hose - 10" (FJX-6, FJX90-6-6) |
| 4    | 4   | HF 6804-6-6 | Hydraulic Fitting                 |

## Light Kit Wiring Harness



| ITEM | QTY | PART NUMBER   | DESCRIPTION             |
|------|-----|---------------|-------------------------|
| 1    | 1   | TL550-200-117 | Female 7 Pin Plug       |
|      | 4   | 31798         | Light Grommet           |
| 3    | 4   | 31790         | Individual Light Wiring |
| 4    | 2   | 31788         | Red Tail Light          |
| 5    | 2   | 31789         | Amber Tail Light        |
| 6    | 1   | 36924         | Light Wiring Harness    |
|      | 1   | 31573         | Complete Wiring Kit     |

## N375SB - Single Axle Brake Kit

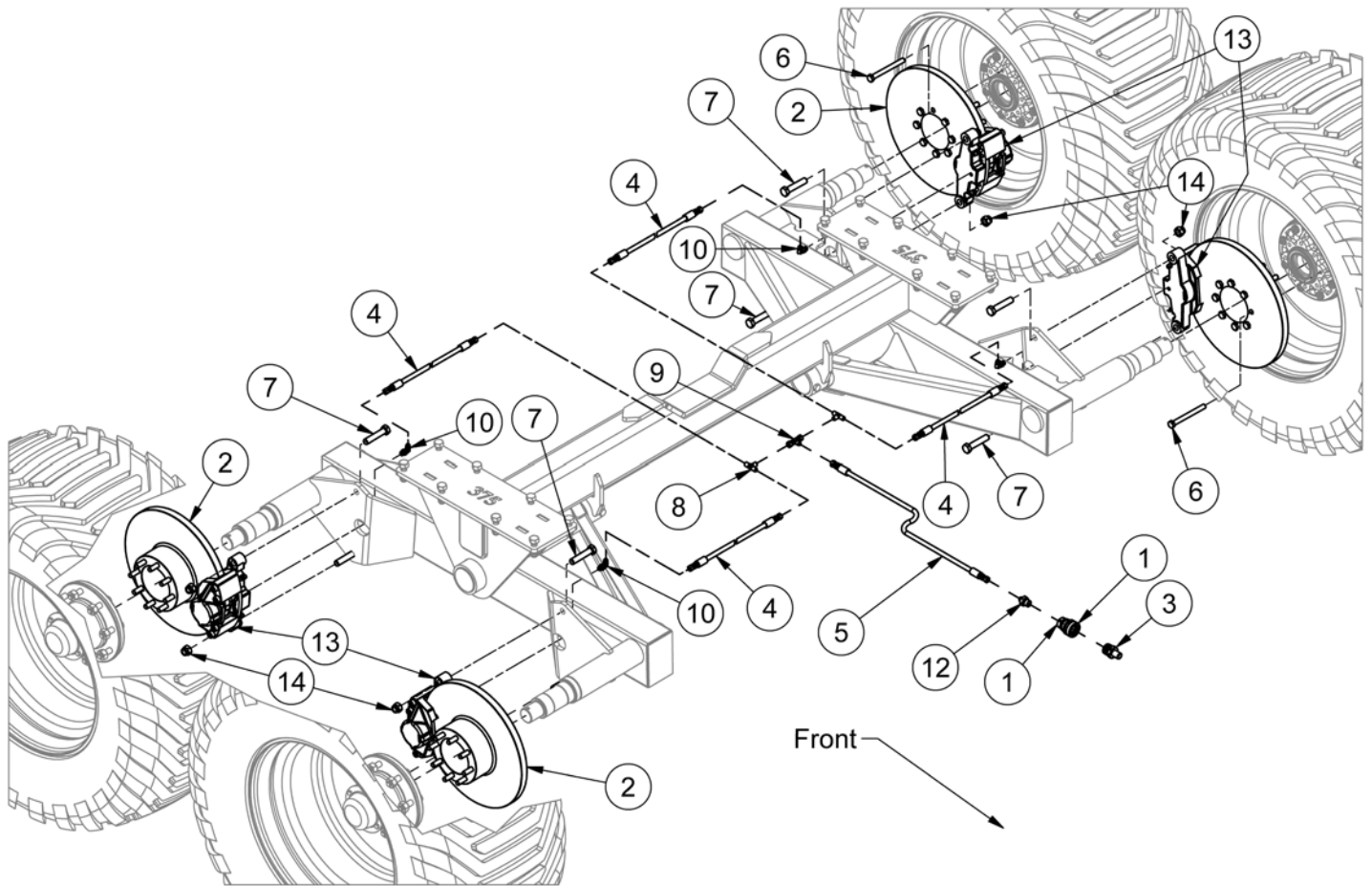


\*Scale ready axle shown.

| ITEM | QTY | PART NUMBER      | DESCRIPTION   | NOTE         |
|------|-----|------------------|---|--------------|
| 1    | 2   | 31773            | Rotor for 16000# Hub - 9 Bolt                           |              |
| 2    | 1   | 36022            | Hyd. Quick Coupler- Female- For Nitro Brakes            | Inc. Item 11 |
| 3    | 1   | 37846            | Hyd. Quick Coupler- Male- For Nitro Brakes              |              |
| 4    | 4   | 39502            | Hose - HH64 4AT1(4G4FJX,4G4FJX)HCL64"                   |              |
| 5    | 1   | 46236            | Hose - HH444 4AT1(4G4FJX,4G4FJX) HCL444"                |              |
| 6    | 18  | HB 1/2-20X4.5 Z5 | Hex Bolt 1/2-20x4 1/2 Grade 5 Zinc Plated Hex Cap Screw |              |
| 7    | 8   | HB 5/8-18 X3 YZ8 | Hex Bolt 5/8-18x3 Grade 8 Zinc Hex Cap Screw            |              |
| 8    | 2   | HF 2603-4        | Hydraulic Fitting - Male JIC Tee                        |              |
| 9    | 1   | HF 6603-4-4-4    | T- Fitting JIC  |              |
| 10   | 4   | HF 6801-4-4      | Hydraulic Fitting - 90° O-Ring to JIC                   |              |
| 11   | 1   | HF 9500-18MM     | Metric Thread Bonded Seal                               |              |
| 12   | 1   | HF 9606-04-S18   | Hydraulic Adaptor - 1/4" JIC/M18-1.5                    |              |
| 13   | 4   | LA-11-1527       | 16000# Caliper  |              |
| 14   | 8   | LN 5/8 F         | Center Locknuts (5/8-18) 2-Way Fine Thread              |              |



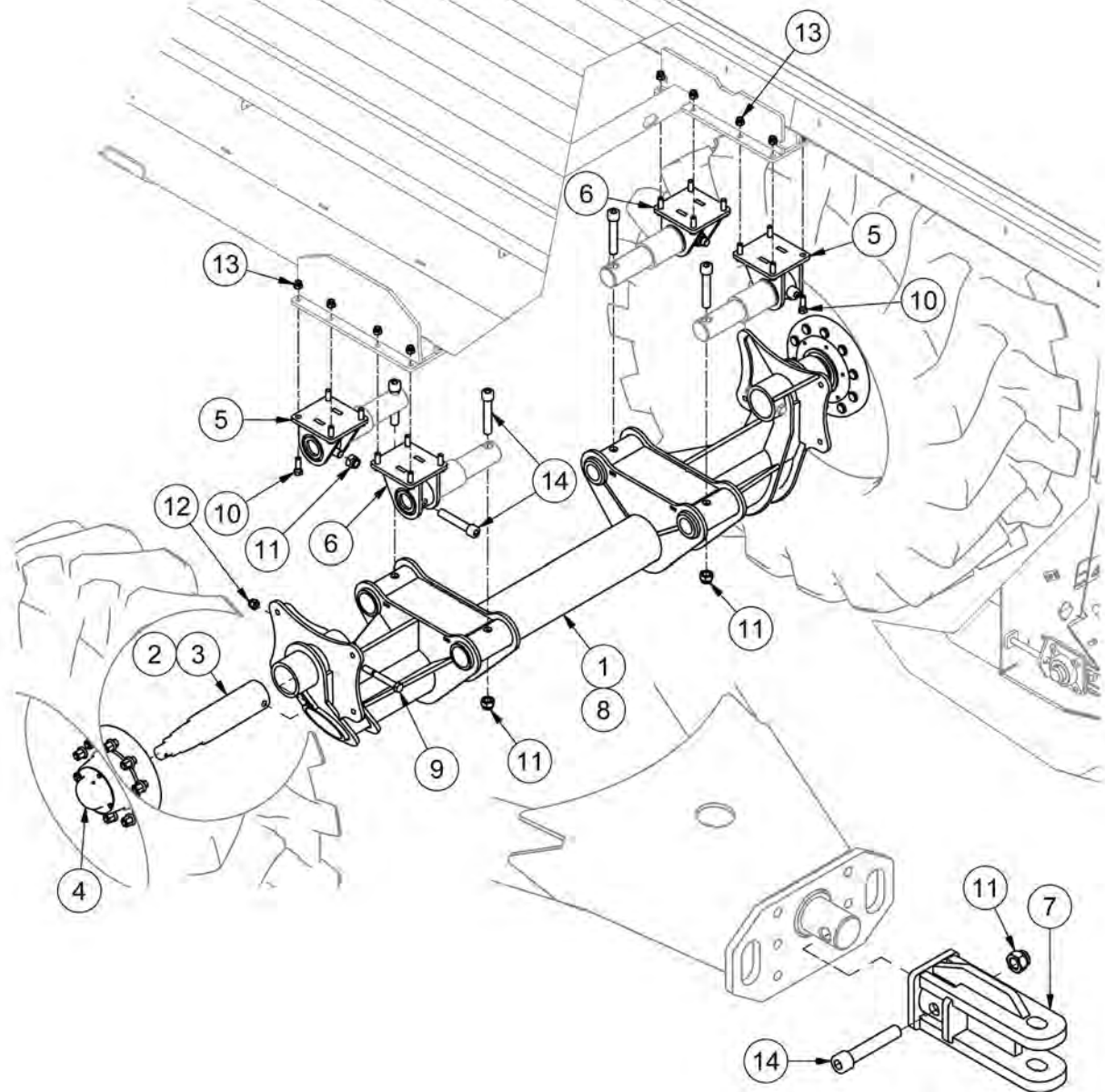
## N375TB - Tandem Axle Brake Kit



\*Non scale ready axle shown.

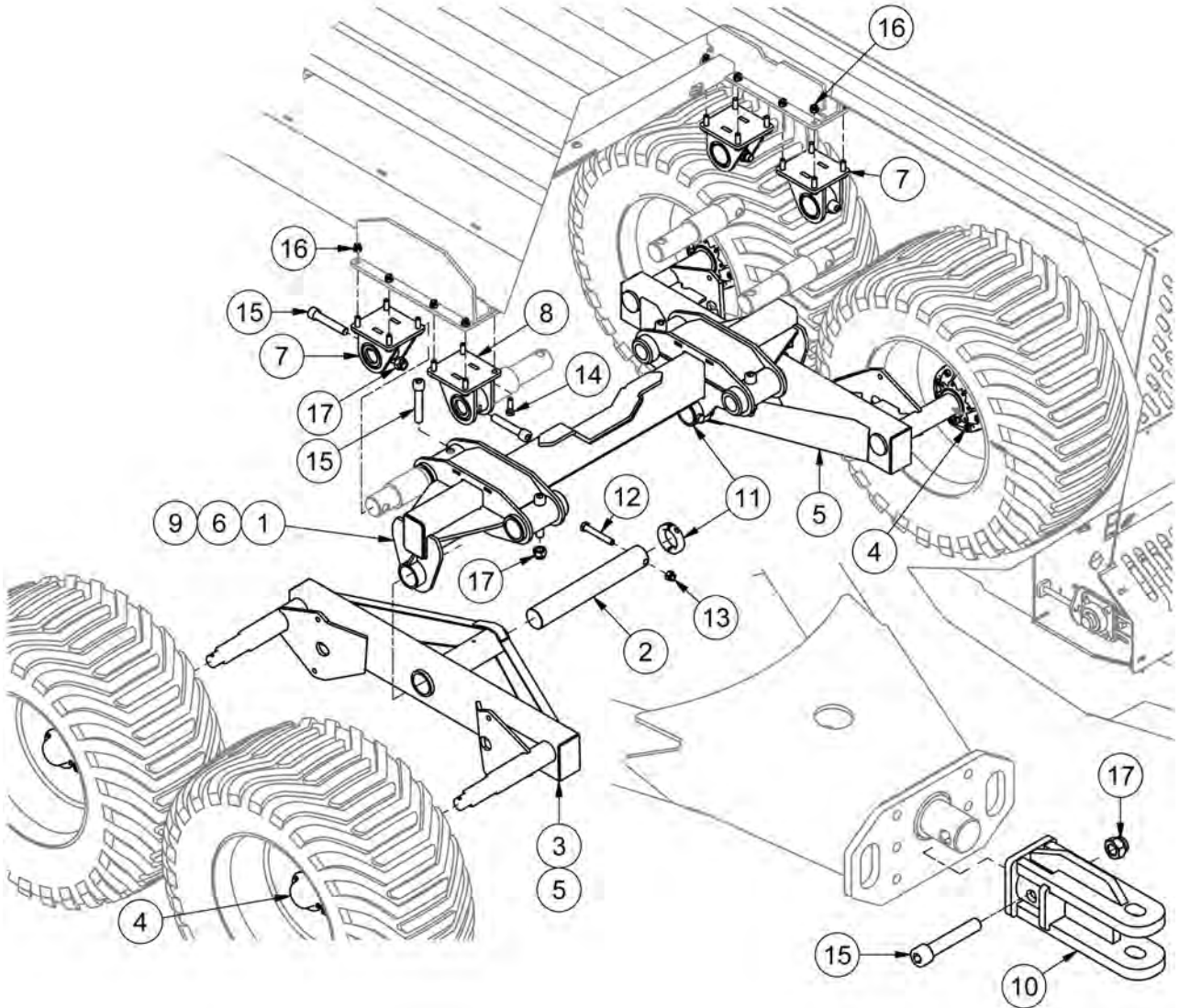
| ITEM | QTY | PART NUMBER      | DESCRIPTION                                  | NOTE         |
|------|-----|------------------|--|--------------|
| 1    | 1   | 36022            | Hyd. Quick Coupler- Female- For Nitro Brakes | Inc. Item 11 |
| 2    | 4   | 36042            | 12000# Hub Rotor                             |              |
| 3    | 1   | 37846            | Hyd. Quick Coupler- Male- For Nitro Brakes   |              |
| 4    | 4   | 39502            | Hose - HH64 4AT1(4G4FJX,4G4FJX)HCL64"        |              |
| 5    | 1   | 46236            | Hose - HH444 4AT1(4G4FJX,4G4FJX) HCL444"     |              |
| 6    | 32  | HB 1/2-20 X5 YZ8 | Hex Bolt 1/2-20x5 Grade 8 Zinc Hex Cap Screw |              |
| 7    | 8   | HB 5/8-18 X3 YZ8 | Hex Bolt 5/8-18x3 Grade 8 Zinc Hex Cap Screw |              |
| 8    | 2   | HF 2603-4        | Hydraulic Fitting - Male JIC Tee             |              |
| 9    | 1   | HF 6603-4-4-4    | T- Fitting JIC                               |              |
| 10   | 4   | HF 6801-4-4      | Hydraulic Fitting - 90° O-Ring to JIC        |              |
| 11   | 1   | HF 9500-18MM     | Metric Thread Bonded Seal                    |              |
| 12   | 1   | HF 9606-04-S18   | Hydraulic Adaptor - 1/4" JIC/M18-1.5         |              |
| 13   | 4   | LA-11-1527       | 16000# Caliper                               |              |
| 14   | 8   | LN 5/8 F         | Center Locknuts (5/8-18) 2-Way Fine Thread   |              |

## Scale Axle - Single



| ITEM | QTY | PART NUMBER  | DESCRIPTION   | NOTE      |
|------|-----|--------------|---|-----------|
| 1    | 1   | 46003        | 375 Single Scale Axle w/ Mounting                   | All Parts |
| 2    | 2   | 450-140      | Complete 16000lb Hub                                | Items 3,4 |
| 3    | 1   | 450-435      | 16000lb Spindle                                     |           |
| 4    | 1   | HUB16000     | Hub c/w Parts (16000)                               |           |
| 5    | 2   | 35812        | Left Frame Mount                                    |           |
| 6    | 2   | 36836        | Right Frame Mount                                   |           |
| 7    | 1   | 42550        | Cell Clevis Hitch                                   |           |
| 8    | 1   | 45892        | 375 Single Axle Scale                               |           |
| 9    | 2   | HB3/4-10X6Z5 | Hex Bolt 3/4-10x6 Grade 5 Zinc Plated Hex Cap Screw |           |
| 10   | 16  | HB5/8-11X2Z5 | Hex Bolt 5/8-11x2 Grade 5 Zinc Plated Hex Cap Screw |           |
| 11   | 9   | LN1-8NCZ5    | LN 1-8 Zinc Plated Nylon Insert Lock Nut            |           |
| 12   | 2   | LN3/4-10NCZ5 | LN 3/4-10 Zinc Plated Nylon Insert Lock Nut         |           |
| 13   | 16  | LN5/8-11NCZ5 | LN 5/8-11 Zinc Plated Nylon Insert Lock Nut         |           |
| 14   | 9   | SHCS1-8X5.5  | Hex Bolt - 1-8 x 5 1/2 Socket Head Cap Screw        |           |

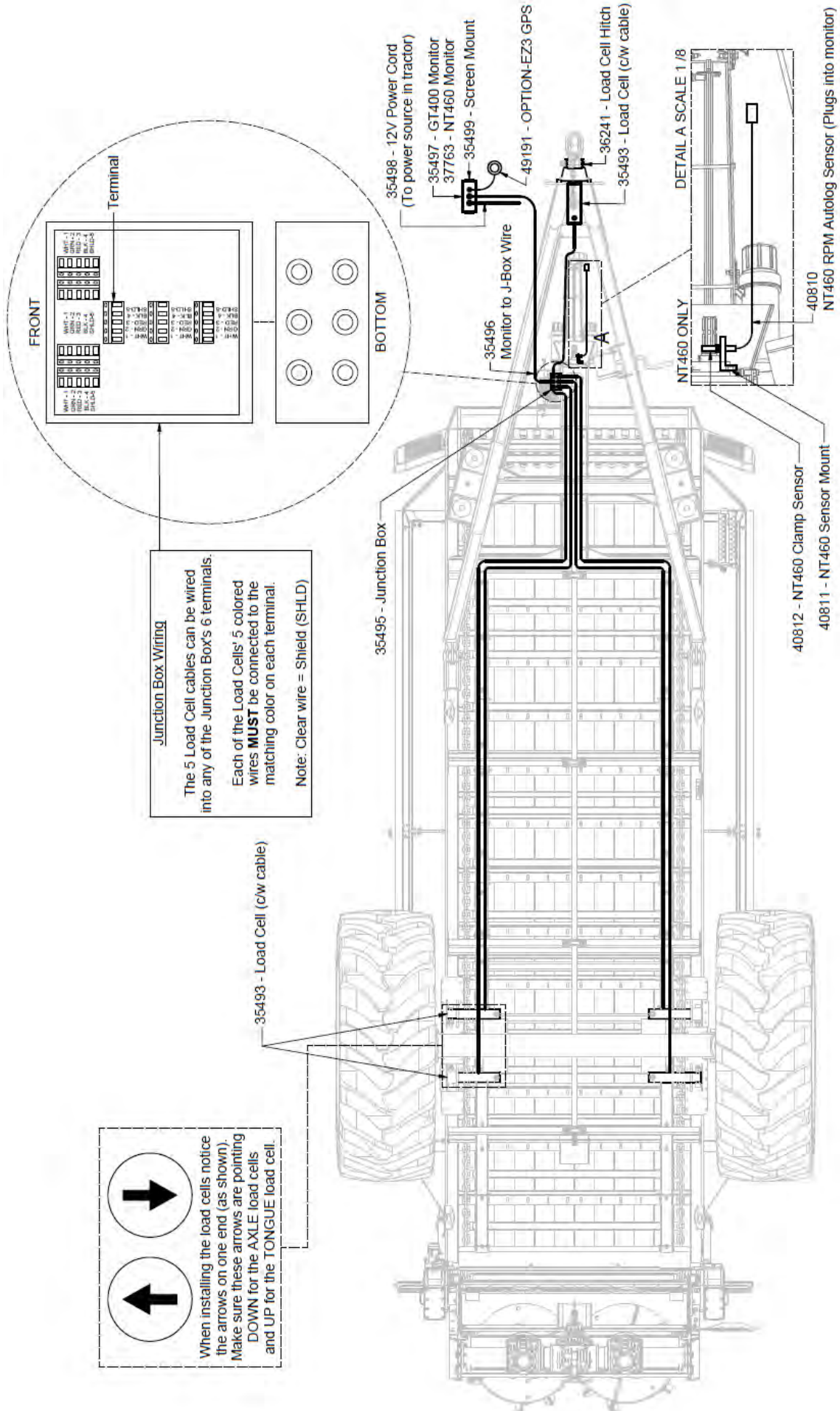
## Scale Axle - Tandem



| ITEM | QTY | PART NUMBER   | DESCRIPTION                                      | NOTE             |
|------|-----|---------------|--|------------------|
| 1    | 1   | 46016         | 375 Tandem Scale Axle Assembly                   | All Items        |
| 2    | 2   | 25502         | Walking Beam Pin                                 |                  |
| 3    | 2   | 42855         | 325/308 Walking Beam w/2 Brake Flanges           | Incl. Items 4,5  |
| 4    | 2   | HUB 12000     | Complete 12000lb Hub                             |                  |
| 5    | 1   | 48717         | 325 Walking Beam Weldment w/ Brake Flanges       |                  |
| 6    | 1   | 49984         | 375RS Tandem Scale Axle                          | Incl. Items 7-10 |
| 7    | 2   | 35812         | Left Frame Mount                                 |                  |
| 8    | 2   | 36836         | Right Frame Mount                                |                  |
| 9    | 1   | 46010         | 375 Tandem Axle Scale Weldment                   |                  |
| 10   | 1   | 42550         | Cell Clevis Hitch                                |                  |
| 11   | 2   | 46287         | Shaft Collar                                     |                  |
| 12   | 2   | HB3/4-10X5YZ8 | Hex Bolt 3/4-10x5 Gr 8 Zinc Hex Cap Screw        |                  |
| 13   | 2   | LN3/4-16NFZ8  | 3/4-16 Gr.8 Zinc Nylon Lock Nut                  |                  |
| 14   | 16  | HB5/8-11X2Z5  | Hex Bolt 5/8-11x2 Gr 5 Zinc Plated Hex Cap Screw |                  |
| 15   | 9   | SHCS1-8X5.5   | Hex Bolt - 1-8 x 5 1/2 Socket Head Cap Screw     |                  |
| 16   | 16  | LN5/8-11NCZ5  | LN 5/8-11 Zinc Plated Nylon Insert Lock Nut      |                  |
| 17   | 9   | LN1-8NCZ5     | LN 1-8 Zinc Plated Nylon Insert Lock Nut         |                  |

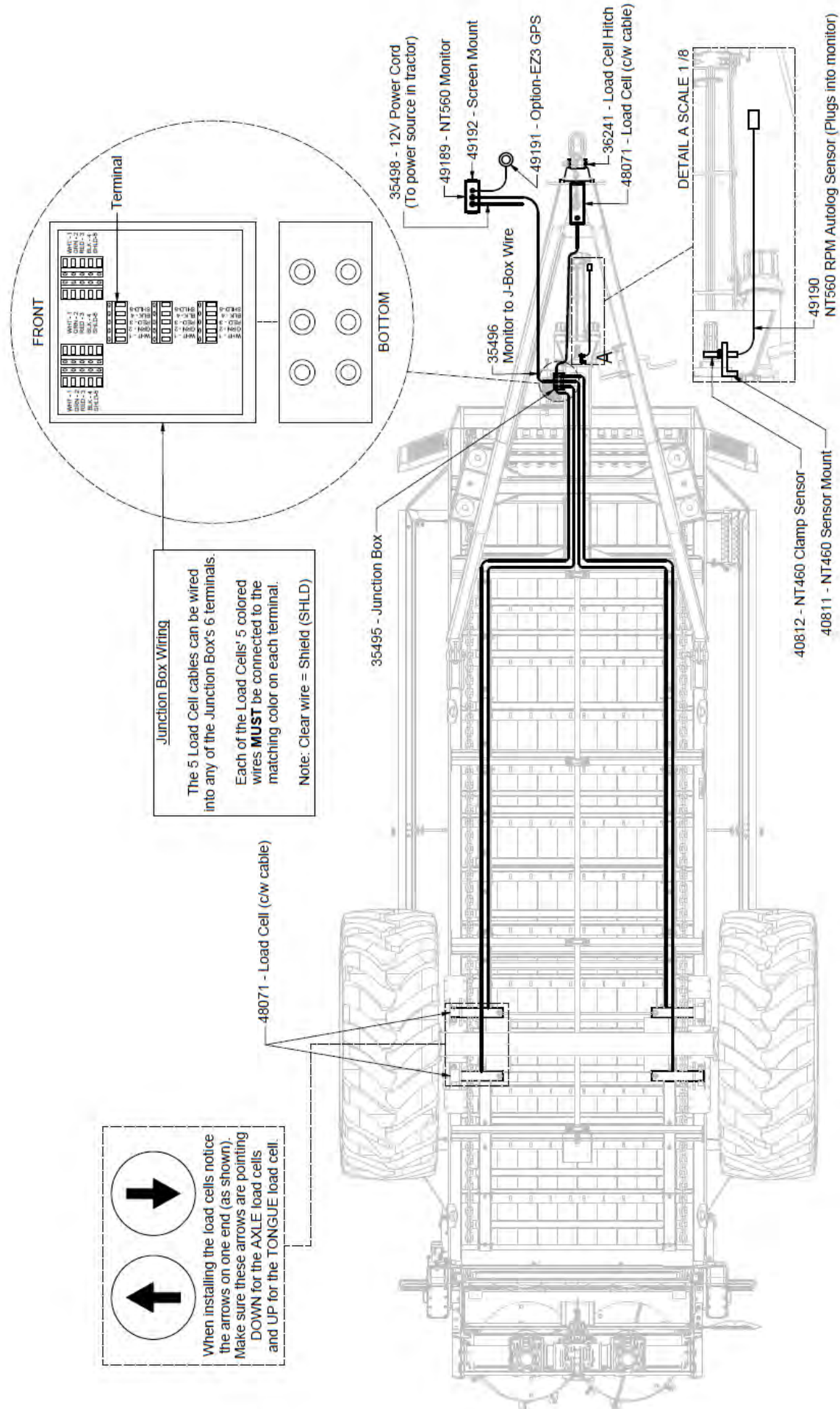


# N750LC (GT400) / N750LCNT460 Scales

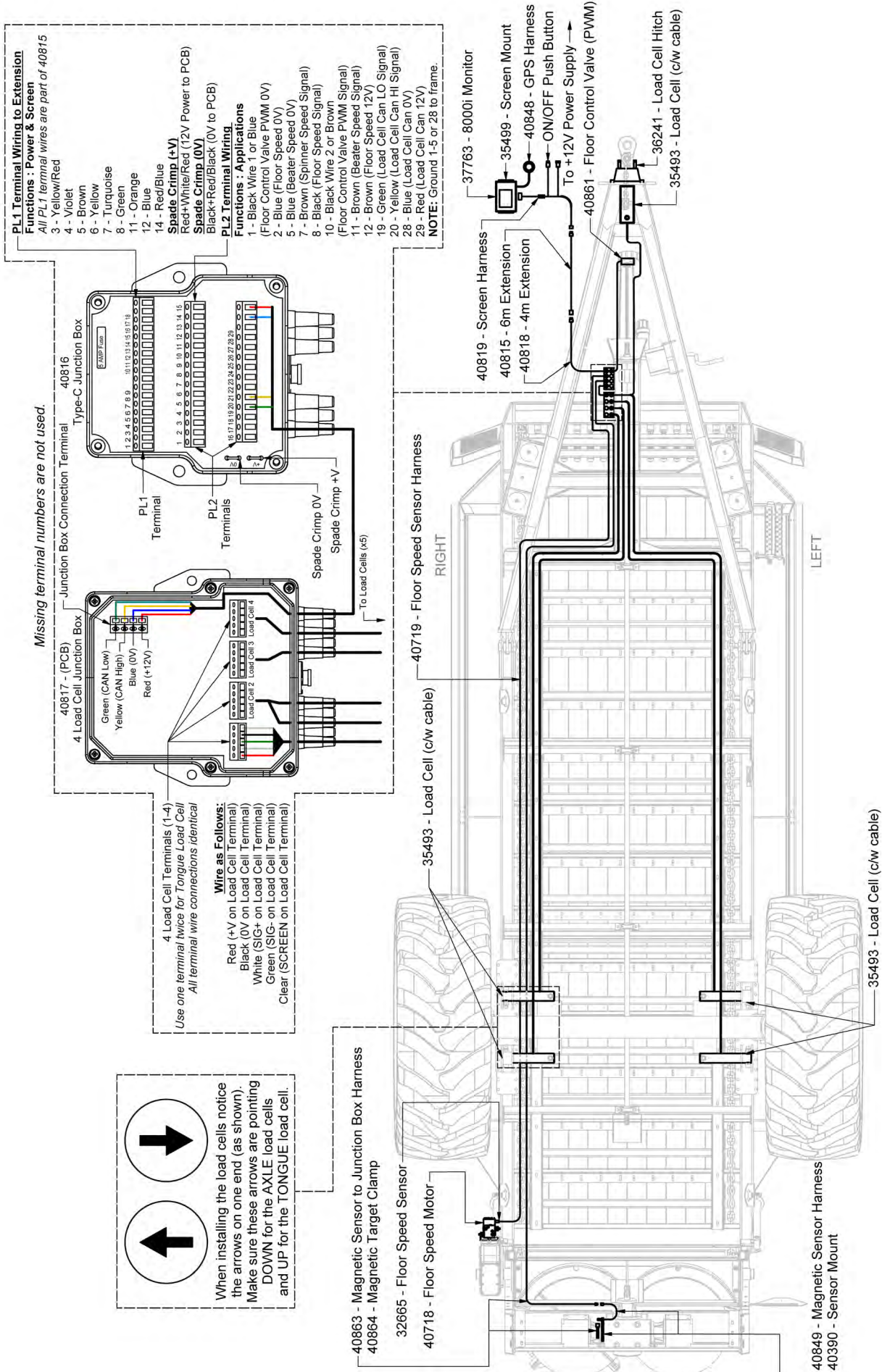




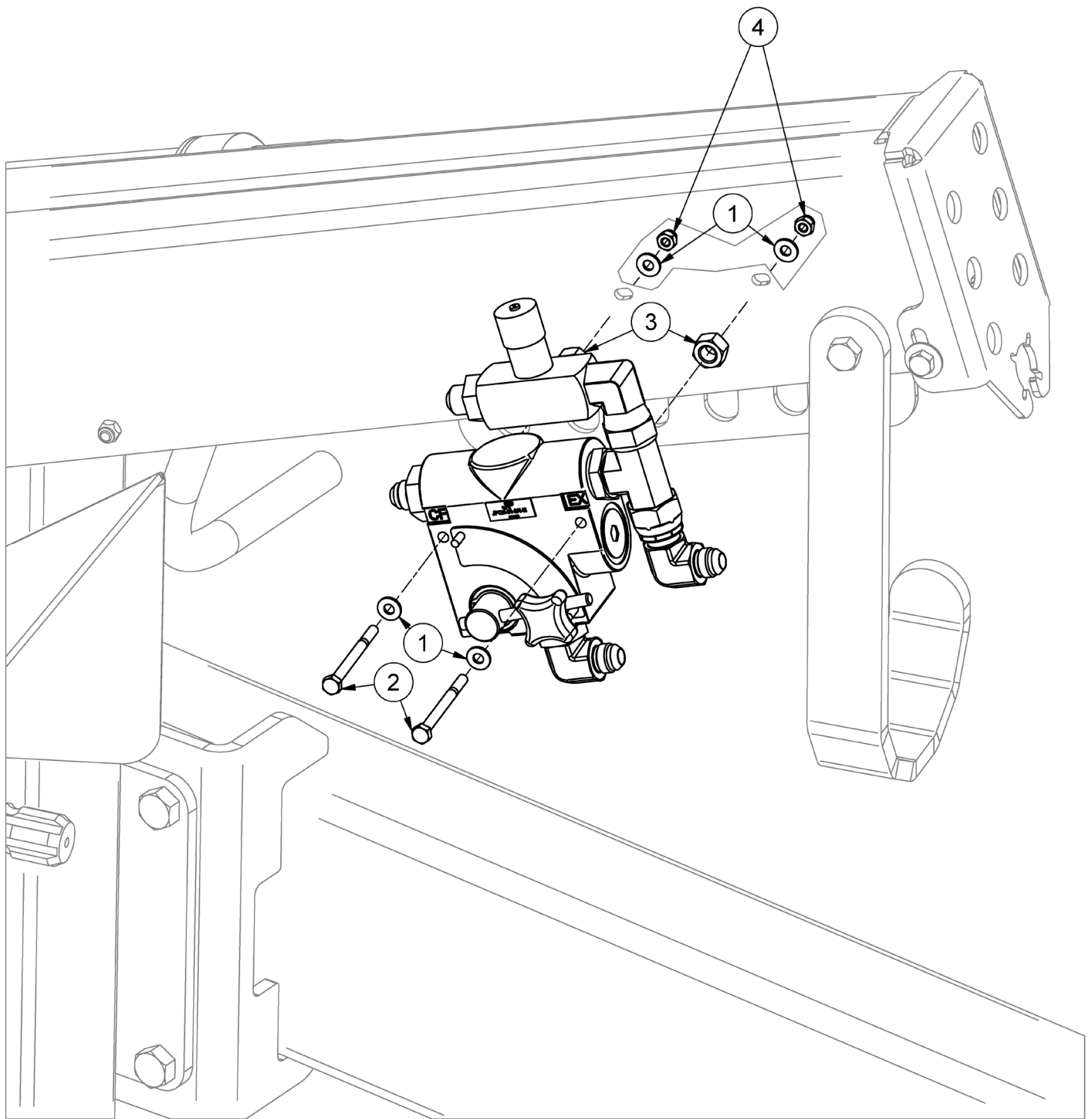
# N750LCNT560 Scales



# N750LCNT8000 Scales



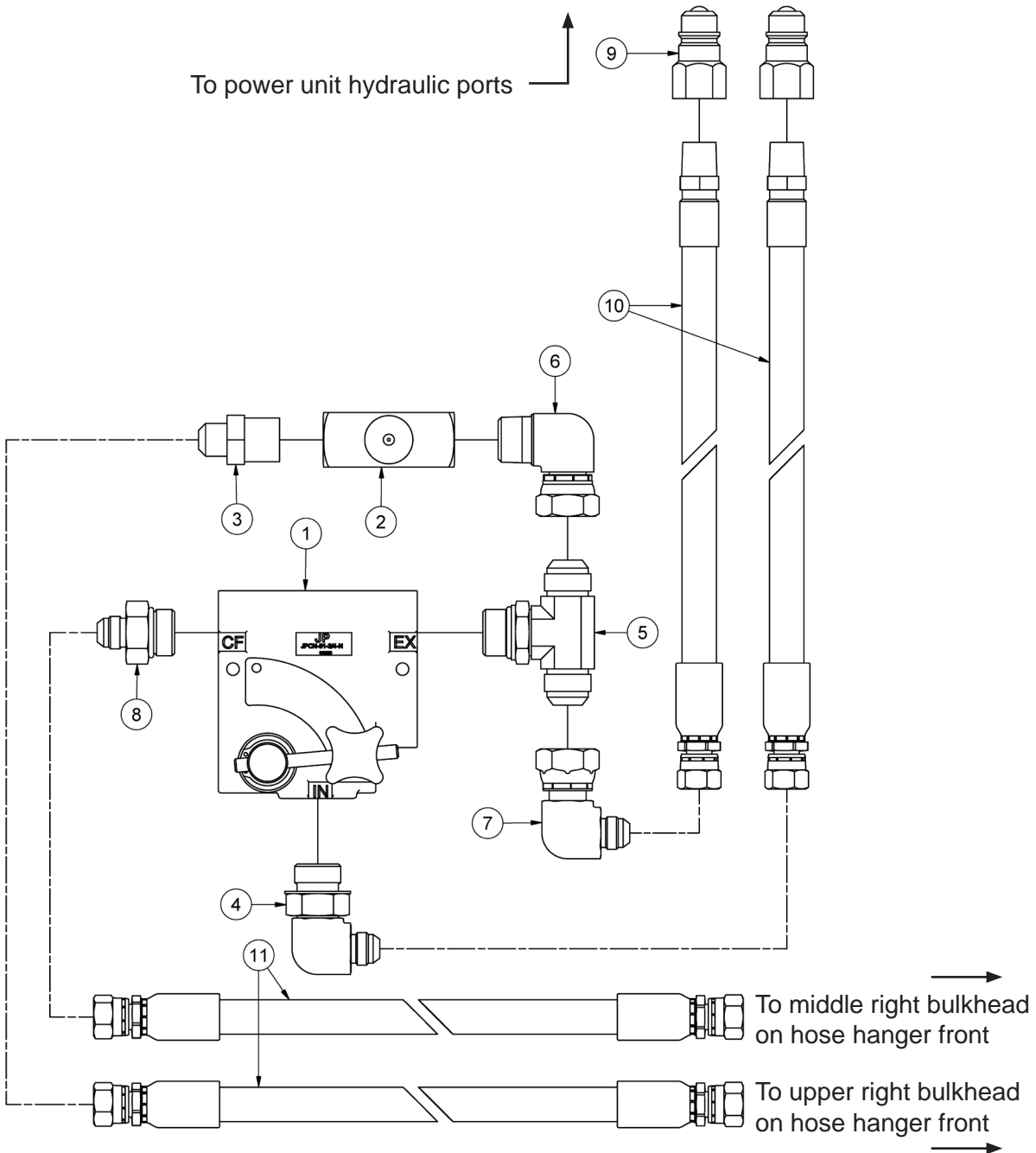
## Flow Control Mounting



| ITEM | QTY | PART NUMBER    | DESCRIPTION   |
|------|-----|----------------|---|
| 1    | 4   | FW 1/4         | Flatwasher - 1/4" Zinc Plated USS                   |
| 2    | 2   | HB 1/4-20X3 Z5 | Hex Bolt 1/4-20x3 Grade 5 Zinc Plated Hex Cap Screw |
| 3    | 2   | HN 1/2         | Hex Nut 1/2"-13 Grade 5 Zinc Plated Finished        |
| 4    | 2   | LN 1/4 N       | LN 1/4-20 Zinc Plated Nylon Insert Lock Nut         |

**NOTE:** Manual flow control shown. Electric flow control option has same mounting hardware. See hydraulic layouts for flow control breakdowns.

## Manual Flow Control Hydraulic Layout

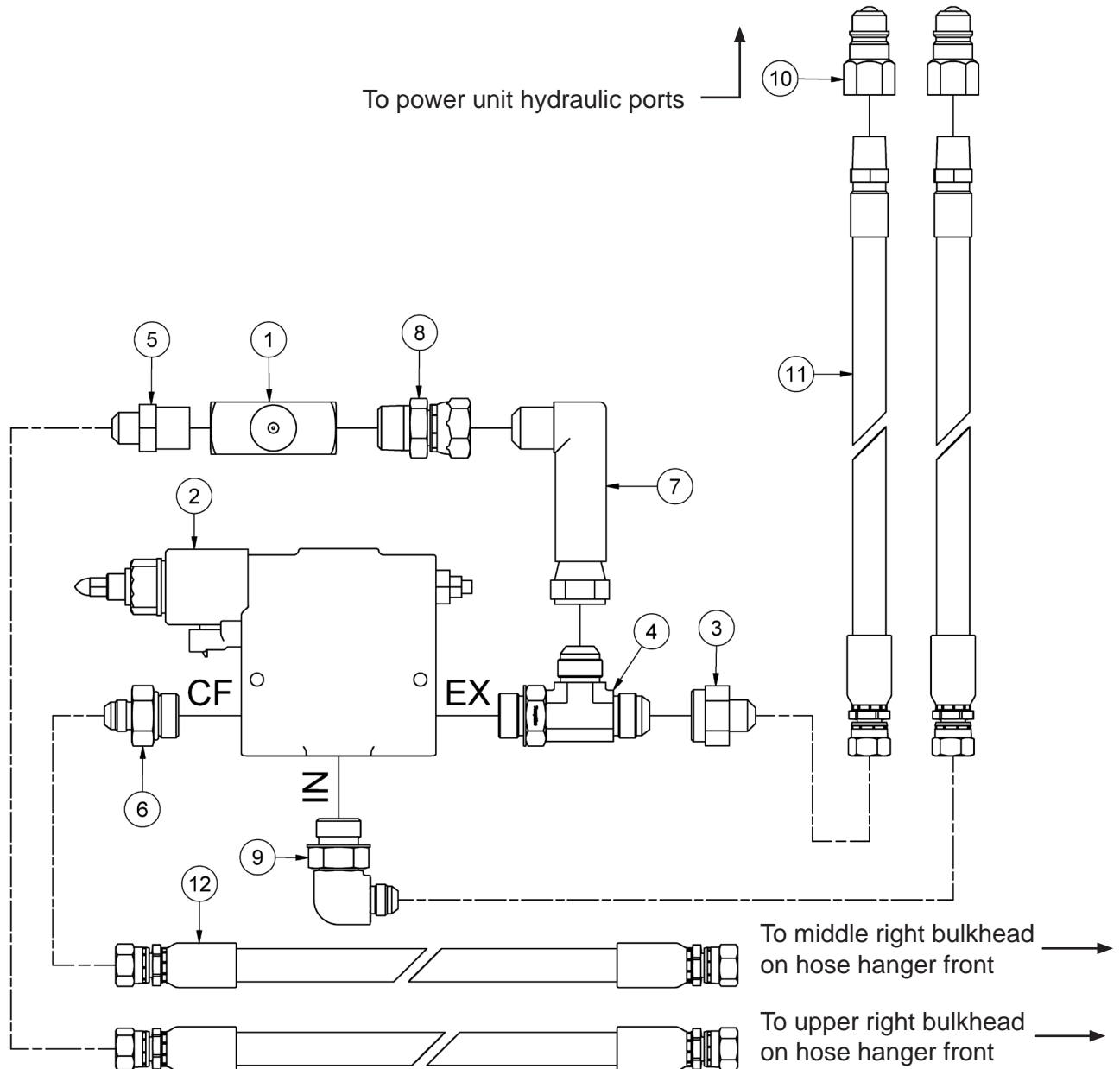


| ITEM | QTY | PART NUMBER      | DESCRIPTION                                    |
|------|-----|------------------|--|
| 1    | 1   | 30855            | Flow Control - Pressure Compensated 3/4        |
| 2    | 1   | 30857            | Flow Control Valve - 3/4"                      |
| 3    | 1   | HF 2404-8-12     | Hydraulic Fitting - Union                      |
| 4    | 1   | HF 6801-8-12     | Hyd. Fitting - 1/2" JIC - 3/4" 90 Degree Elbow |
| 5    | 1   | HF 6803-12-12-12 | Hyd. Fitting Male JIC Male JIC Male ORB Tee    |
| 6    | 1   | HF 6501-12-12    | Hyd. Fitting 90° 3/4 MNPT - 3/4 FJXH           |
| 7    | 1   | HF 6500-8-12     | Hyd. Fitting 1/2 Male JIC - 3/4 Female JIC 90° |
| 8    | 1   | HF 6400-8-12     | Hyd. Fitting                                   |
| 9    | 2   | HF 8010-4        | Quickcoupler 1/2" Male Tip                     |
| 10   | 2   | 30661            | HH 1/2 72",8FJX,8MP                            |
| 11   | 2   | 37987            | HH 1/2 48",8FJX,8FJX                           |



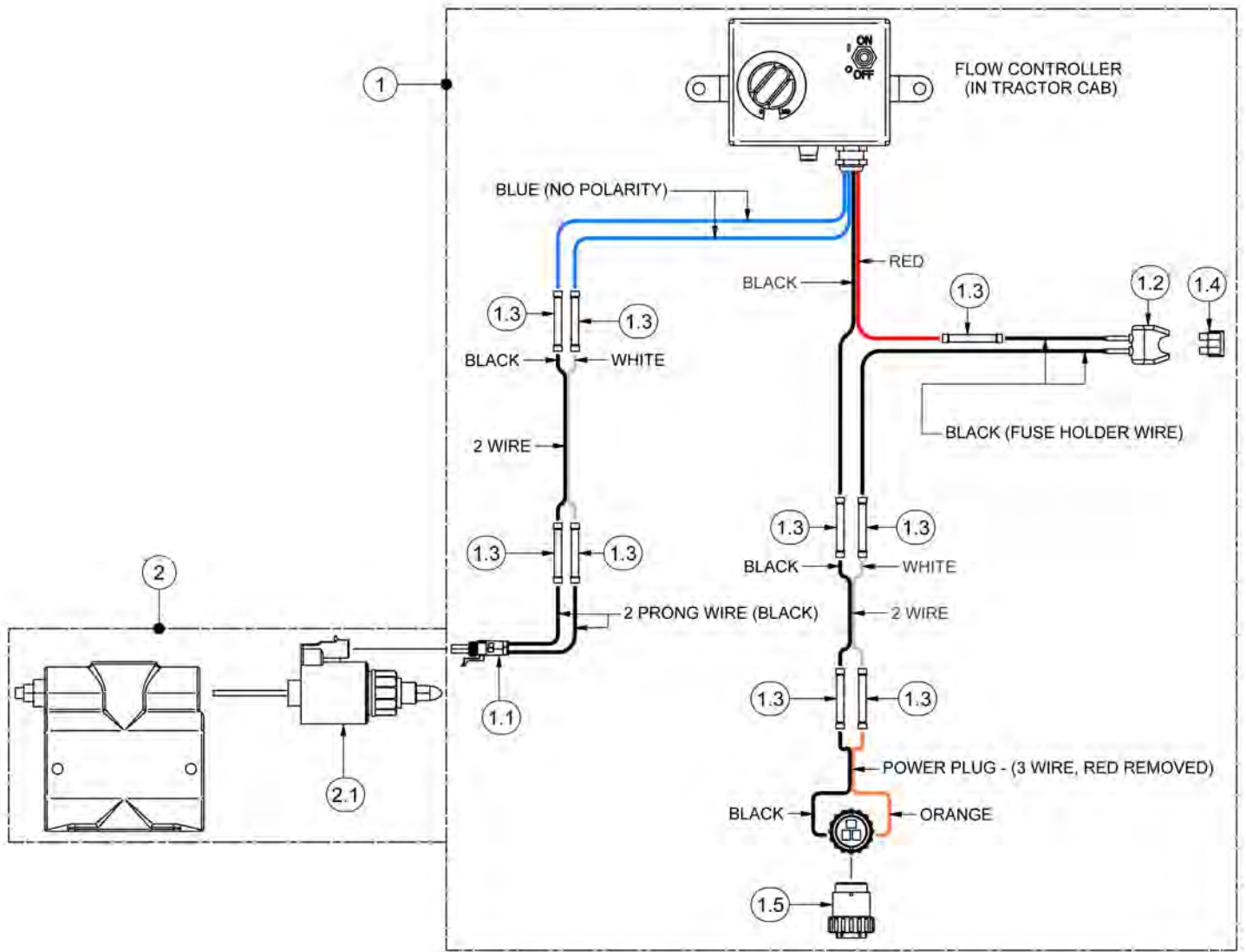


## Electric Flow Control Hydraulic Layout - Current



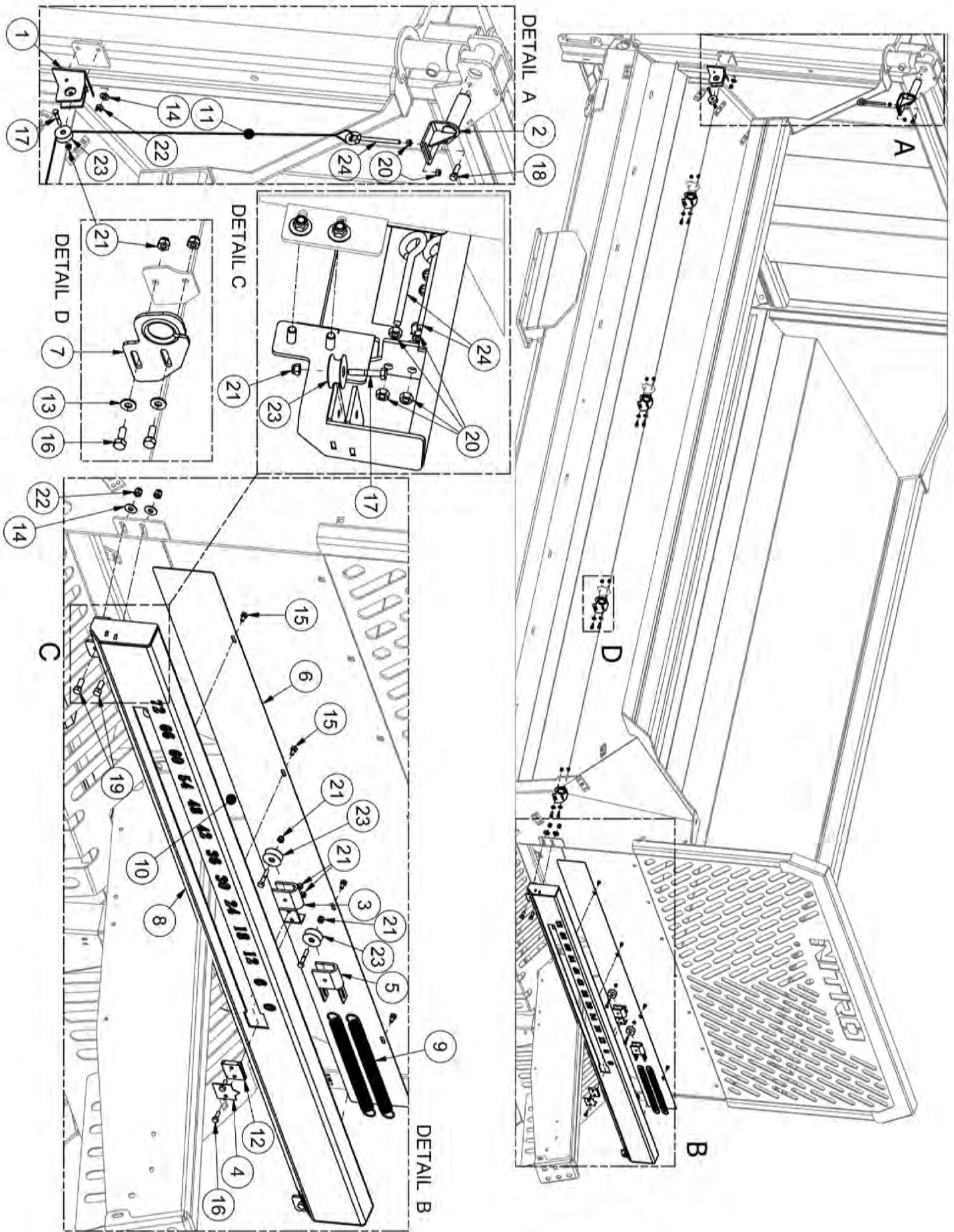
| ITEM | QTY | PART NUMBER        | DESCRIPTION                                    | NOTE                           |
|------|-----|--------------------|--|--------------------------------|
| 1    | 1   | 30857              | Flow Control Valve - 3/4"                      |                                |
| 2    | 1   | 37976              | Electric Flow Control                          | Brkdwn <a href="#">Pg.3-24</a> |
| 3    | 1   | HF 2406-12-8       | Hydraulic Adapter Fitting JIC                  |                                |
| 4    | 1   | HF 6804-12-12-12   | Hydraulic Tee Fitting - SAE-ORB - MJICs        |                                |
| 5    | 1   | HF 2404-8-12       | Hydraulic Fitting - Union                      |                                |
| 6    | 1   | HF 6400-8-12       | Hyd. Fitting                                   |                                |
| 7    | 1   | HF 6500-L-12-12-FG | MJ-FJS 90° Elbow Long                          |                                |
| 8    | 1   | HF 6505-12-12      | Male Pipe To Female JIC Swivel                 |                                |
| 9    | 1   | HF 6801-8-12       | Hyd. Fitting - 1/2" JIC - 3/4" 90 Degree Elbow |                                |
| 10   | 2   | HF 8010-4          | Quickcoupler 1/2" Male Tip                     |                                |
| 11   | 2   | 30661              | 1/2" Hydraulic Hose (8FJX,8MP) - 69"           |                                |
| 12   | 2   | 37987              | 1/2" Hydraulic Hose (8FJX,8FJX) - 73"          |                                |

## Electric Flow Control Wiring



| ITEM | QTY | PART NUMBER   | DESCRIPTION              |
|------|-----|---------------|--------------------------|
| 1    | 1   | 45344         | Electric Flow Controller |
| 1.1  | 1   | 37970         | 2 Prong Plug             |
| 1.2  | 1   | TL82-2164     | Fuse Holder              |
| 1.3  | 9   | EL23662       | Wire Connector           |
| 1.4  | 1   | TL550-100-079 | 15 AMP Fuse              |
| 1.5  | 2   | TB109-110-307 | Power Plug               |
| 2    | 1   | 45345         | Electric Flow Control    |
| 2.1  | 1   | 37968         | Solenoid                 |

# Endgate Indicator - 45861



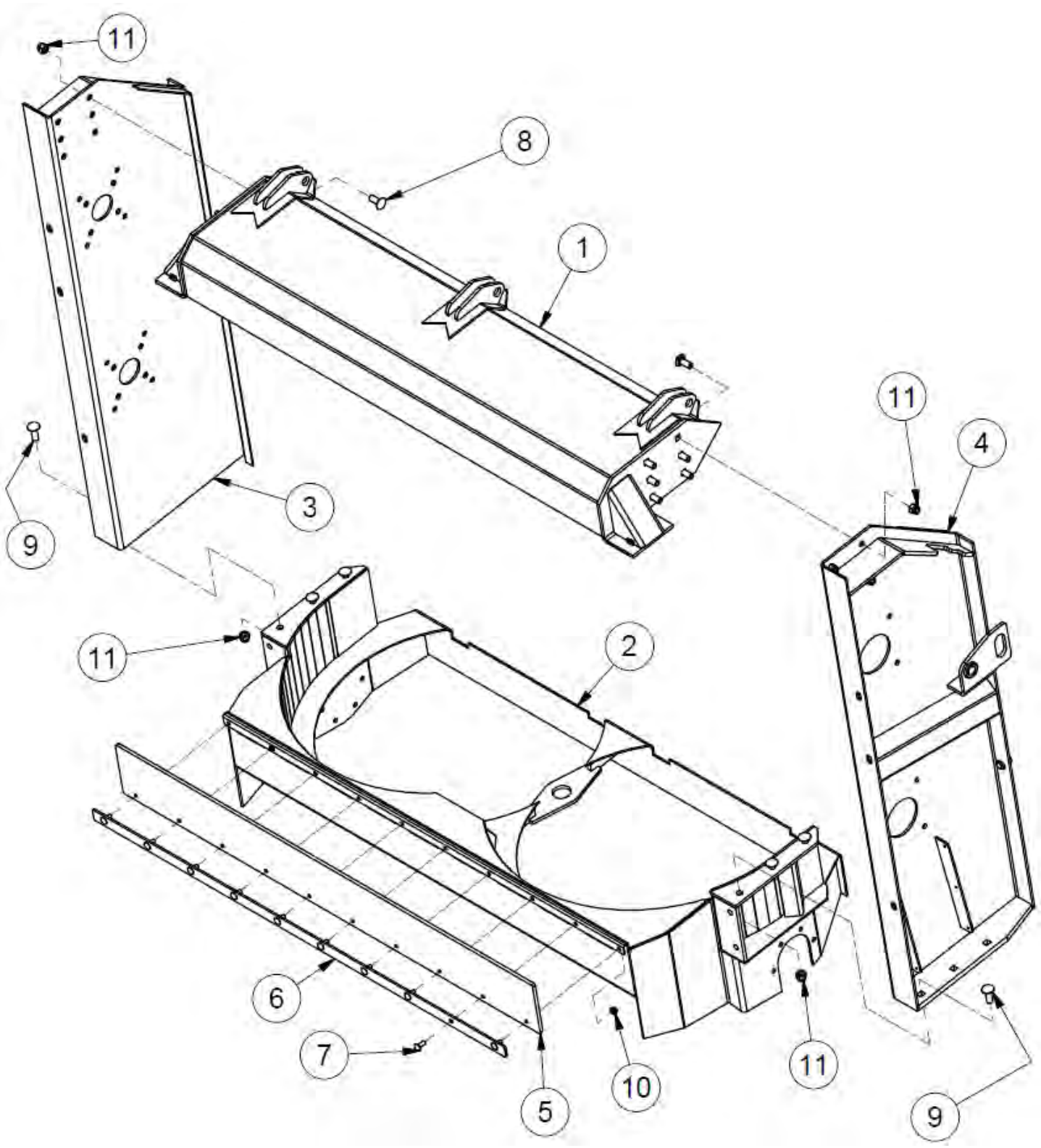


## Endgate Indicator - 45861

| ITEM | QTY | PART NUMBER     | DESCRIPTION   |
|------|-----|-----------------|---|
| 1    | 1   | 45313           | Pulley Mount  |
| 2    | 1   | 45314           | Endgate Cable Pin                                       |
| 3    | 1   | 45407           | Indicator Slider Mount                                  |
| 4    | 1   | 45409           | Indicator Arrow   |
| 5    | 1   | 45410           | Spring Tensioner Pulley                                 |
| 6    | 1   | 45858           | Indicator Back Panel                                    |
| 7    | 4   | 45859           | Indicator Wire Mount                                    |
| 8    | 1   | 45860           | 375 Indicator (Weldment)                                |
| 9    | 2   | 46086           | Spring 12.0 X 1.0 X .105                                |
| 10   | 1   | 48200           | Front Indicator Cable - .125" x 58"                     |
| 11   | 1   | 48205           | Side Indicator Cable - .125" x 297"                     |
| 12   | 1   | BF5000-183      | Indicator Slider  |
| 13   | 8   | FW 1/4          | Flatwasher - 1/4" Zinc Plated USS                       |
| 14   | 6   | FW 3/8          | Flatwasher - 3/8" Zinc Plated USS                       |
| 15   | 4   | HB1/4-20X0.5Z5  | Hex Bolt 1/4-20x1/2 Grade 5 Zinc Plated Hex Cap Screw   |
| 16   | 8   | HB1/4-20X0.75Z5 | Hex Bolt 1/4-20x3/4 Grade 5 Zinc Plated Hex Cap Screw   |
| 17   | 4   | HB1/4-20X1.5Z5  | Hex Bolt 1/4-20x1 1/2 Grade 5 Zinc Plated Hex Cap Screw |
| 18   | 1   | HB3/8-16X1.25Z5 | Hex Bolt 3/8-16x1 1/4 Grade 5 Zinc Plated Hex Cap Screw |
| 19   | 6   | HB3/8-16X1Z5    | Hex Bolt 3/8-16x1 Grade 5 Zinc Plated Hex Cap Screw     |
| 20   | 6   | HN 5/16         | Hex Nut 5/16"-18 Grade 5 Zinc Plated Finished           |
| 21   | 14  | LN1/4-20NCZ5    | LN 1/4-20 Zinc Plated Nylon Insert Lock Nut             |
| 22   | 26  | LN3/8-16NCZ5    | LN 3/8-16 Zinc Plated Nylon Insert Lock Nut             |
| 23   | 4   | PP00423         | Pulley  |
| 24   | 3   | PP00682         | Eye Bolt - 5/16-18 x 4" Shank Zinc Plated Turned        |

# Section 4 - Option - Poultry Beaters

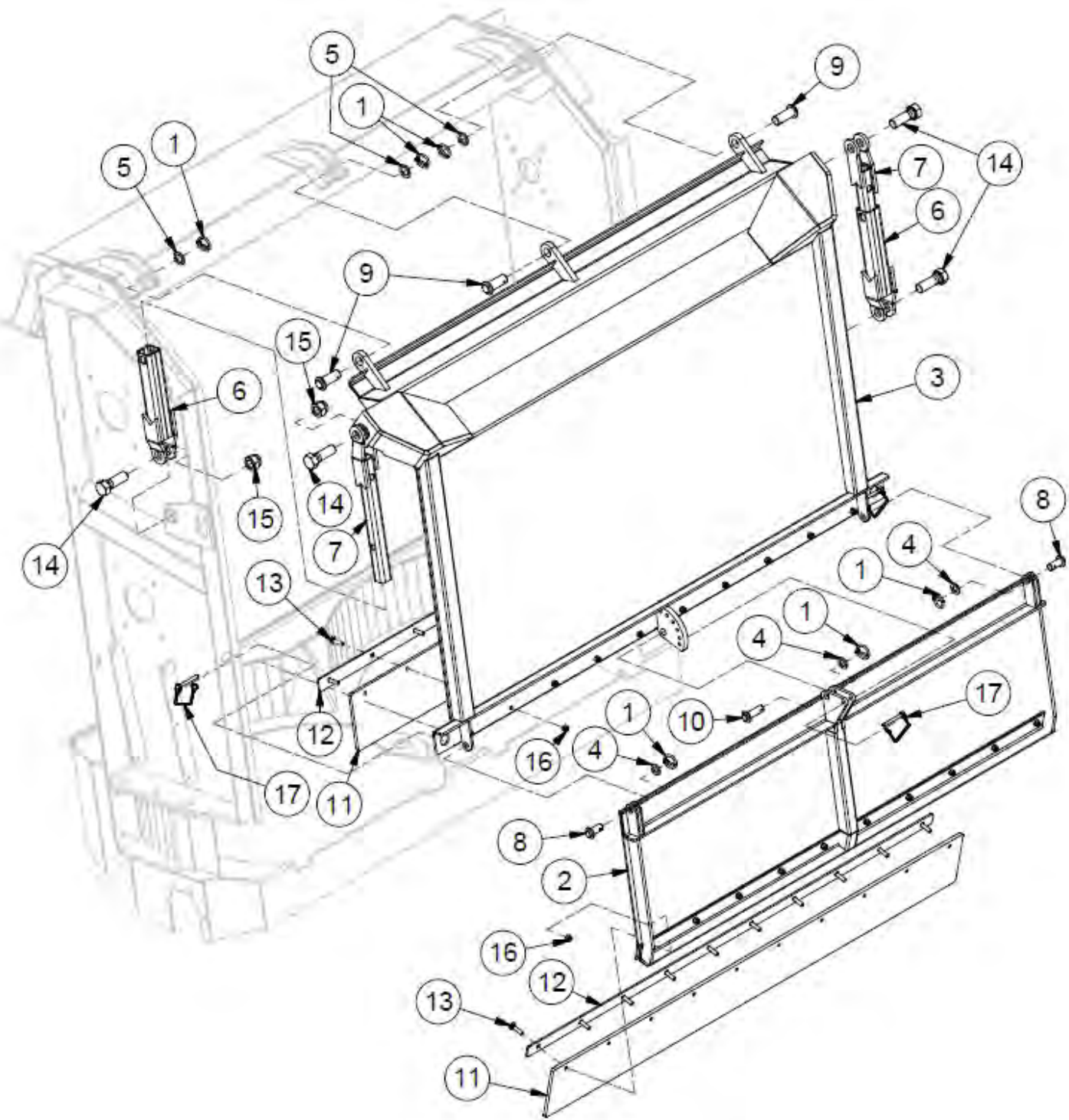
## Poultry Beaters - Frame



## Poultry Beaters - Frame

| ITEM | QTY | PART NUMBER        | DESCRIPTION                                  |
|------|-----|--------------------|--|
| 1    | 1   | 40334              | Beater Gate Mount Asm                        |
| 2    | 1   | 40335              | Spinner Mounting Asm                         |
| 3    | 1   | 40337              | Beater Right Panel Asm                       |
| 4    | 1   | 40338              | Beater Left Panel                            |
| 5    | 1   | 450-441            | 2 Ply Rubber Belt-V600,V450 (7.0 x 62.5)     |
| 6    | 1   | 600-790            | Rubber Hold Down                             |
| 7    | 10  | CB 3/8-16 X1 Z5    | Carriage Bolt - 3/8-16 x 1" Grade 5 Zinc     |
| 8    | 12  | CB 5/8-11 X1.5 Z5  | Carriage Bolt - 5/8-11 x 1 1/2" Grade 5 Zinc |
| 9    | 6   | CB 5/8-11 X1.75 Z5 | Carriage Bolt - 5/8-11 x 1 3/4" Grade 5 Zinc |
| 10   | 10  | HNC3/8             | Serrated Hex Nut                             |
| 11   | 12  | LN 5/8 N           | LN 5/8-11 Zinc Plated Nylon Insert Lock Nut  |

# Poultry Beaters - Endgate

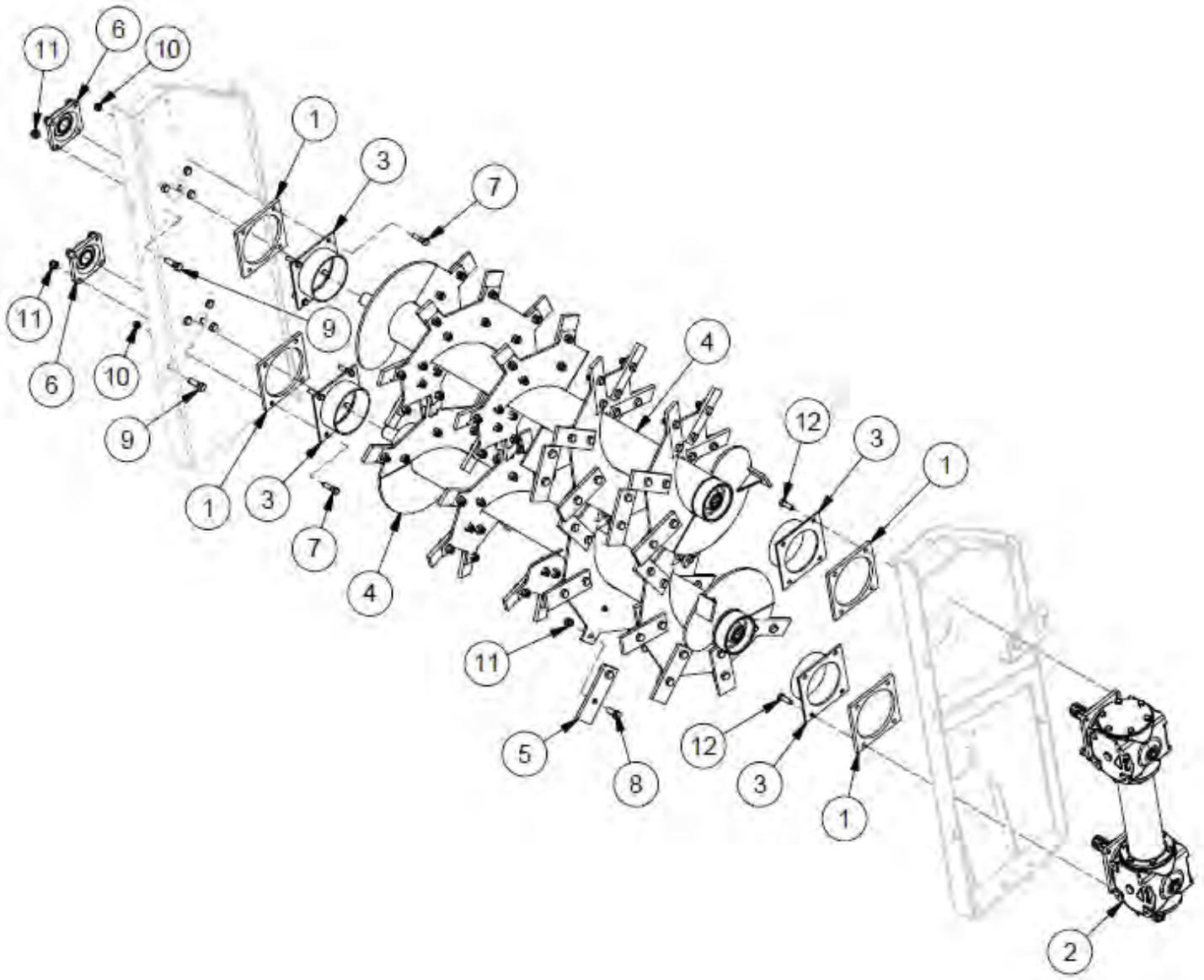




## Poultry Beaters - Endgate

| ITEM | QTY | PART NUMBER       | DESCRIPTION                                      |
|------|-----|-------------------|--|
| 1    | 6   | 25680             | Lynch Pin 3/16 x 1.5                             |
| 2    | 1   | 40332             | Lower Gate                                       |
| 3    | 1   | 40333             | Upper Gate                                       |
| 4    | 3   | 40365             | Beater Gate Washer S                             |
| 5    | 3   | 40367             | Gate Hinge Washer L                              |
| 6    | 2   | 40389             | Sliding Hinge Celvice ASM                        |
| 7    | 2   | 40393             | Sliding Hinge Arm ASM                            |
| 8    | 2   | 40590             | Lower Poultry Beater Pin                         |
| 9    | 3   | 40591             | Top Poultry Beater Pin                           |
| 10   | 1   | 42176             | Center Gate Pin                                  |
| 11   | 3   | 450-441           | Rubber Seal                                      |
| 12   | 3   | 600-790           | Rubber Hold Down                                 |
| 13   | 20  | CB 3/8-16 X1.5 Z5 | Carriage Bolt - 3/8-16 x 1 1/2" Grade 5 Zinc     |
| 14   | 4   | HB 1-8X3 Z5       | Hex Bolt 1-8x3 Grade 5 Zinc Plated Hex Cap Screw |
| 15   | 4   | LN 1 N            | LN 1-8 Zinc Plated Nylon Insert Lock Nut         |
| 16   | 20  | LN 3/8 N          | LN 3/8-16 Zinc Plated Nylon Insert Lock Nut      |
| 17   | 3   | LP B1997          | Pin - Lock Pin 5/16 x 2 1/2                      |

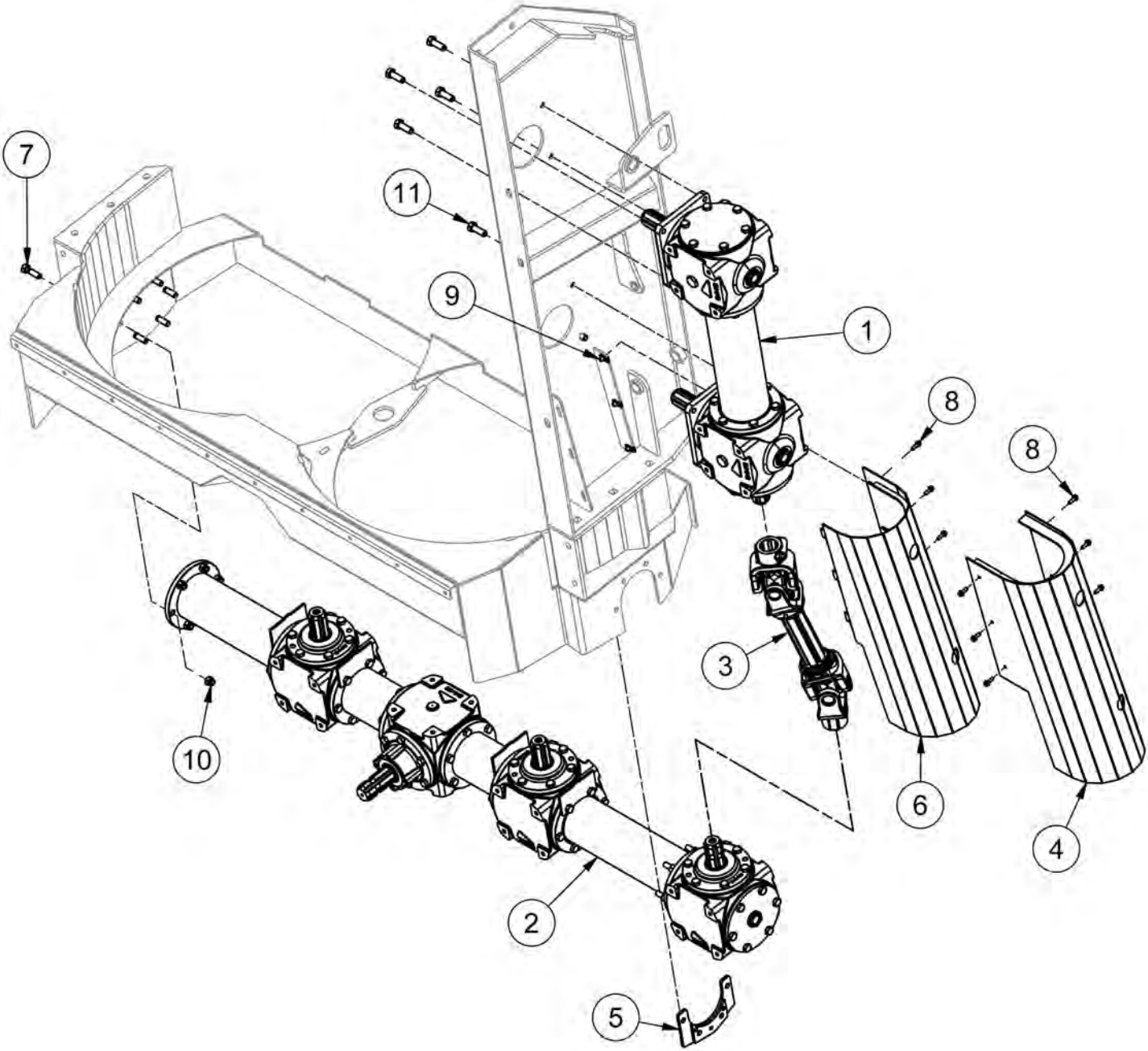
## Poultry Beaters - Beaters



## Poultry Beaters - Beaters

| ITEM | QTY | PART NUMBER       | DESCRIPTION   |
|------|-----|-------------------|---|
| 1    | 4   | 36723             | Inside Plate for Beaters                                |
| 2    | 1   | 37827             | Gear Box- Side Poultry                                  |
| 3    | 4   | 37936             | Beater End Covers                                       |
| 4    | 2   | 40356             | Poultry Beater for 375,450,525,600 Nitro                |
| 5    | 56  | 400-438           | Beater Paddle   |
| 6    | 2   | BEA UCF209-28R3   | Flange Bearing -Triple Seal- Ductile Iron               |
| 7    | 8   | HB 1/2-13X2 Z5    | Hex Bolt 1/2-13x2 Grade 5 Zinc Plated Hex Cap Screw     |
| 8    | 112 | HB 5/8-11X1.75 Z5 | Hex Bolt 5/8-11x1 3/4 Grade 5 Zinc Plated Hex Cap Screw |
| 9    | 8   | HB 5/8-11X2 Z5    | Hex Bolt 5/8-11x2 Grade 5 Zinc Plated Hex Cap Screw     |
| 10   | 8   | LN 1/2 N          | LN 1/2-13 Zinc Plated Nylon Insert Lock Nut             |
| 11   | 120 | LN 5/8 N          | LN 5/8-11 Zinc Plated Nylon Insert Lock Nut             |
| 12   | 8   | M14X40X2          | Metric Bolt   |

# Poultry Beaters - Drivelines

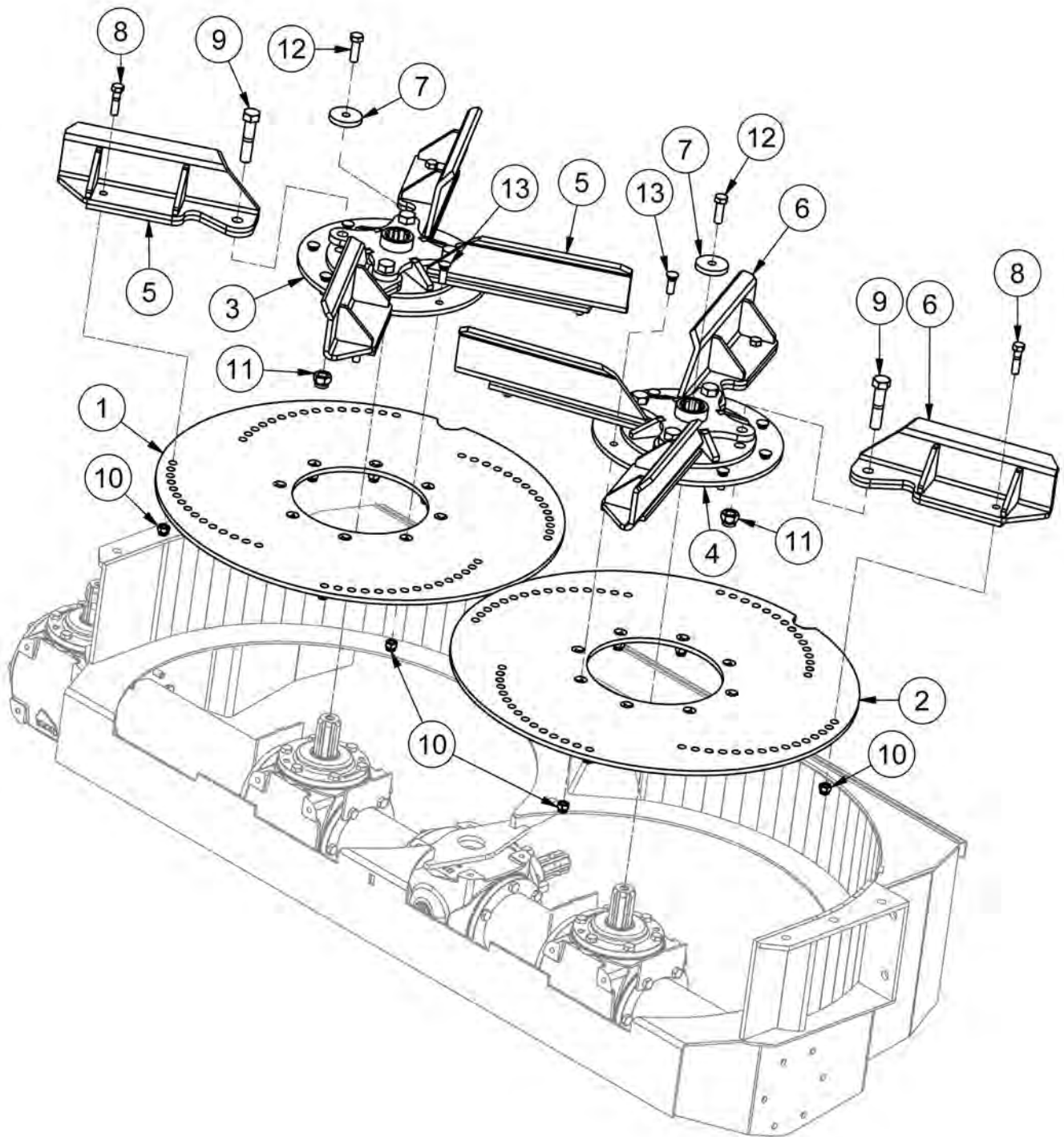




## Poultry Beaters - Drivelines

| ITEM | QTY | PART NUMBER     | DESCRIPTION   | NOTE     |
|------|-----|-----------------|---|----------|
| 1    | 1   | 37827           | Gear Box - Side Poultry                                 |          |
| 2    | 1   | 37828           | Gear Box - Lower Poultry                                |          |
| 3    | 1   | 39998           | PTO Cross Drive Shaft                                   |          |
| 4    | 1   | 40259           | PTO Shield  | Original |
| 5    | 1   | 42173           | Bottom Gearbox Support                                  |          |
| 6    | 1   | 51492           | PTO Shield  | Current  |
| 7    | 6   | HB1/2-13X1.75Z5 | Hex Bolt 1/2-13x1 3/4 Grade 5 Zinc Plated Hex Cap Screw |          |
| 8    | 9   | HBC1/4X0.75     | Hex Bolt Cerrated 1/4-20 x 3/4 Zinc Flange Bolt         |          |
| 9    | 3   | HNP5/16-18      | 5/16"-18 Screw Panel U-Nut                              |          |
| 10   | 6   | LN1/2-13NCZ5    | LN 1/2-13 Zinc Plated Nylon Insert Lock Nut             |          |
| 11   | 8   | M14X40X2        | Metric Bolt   |          |

# Poultry Beaters - Spinners



## Poultry Beaters - Spinners

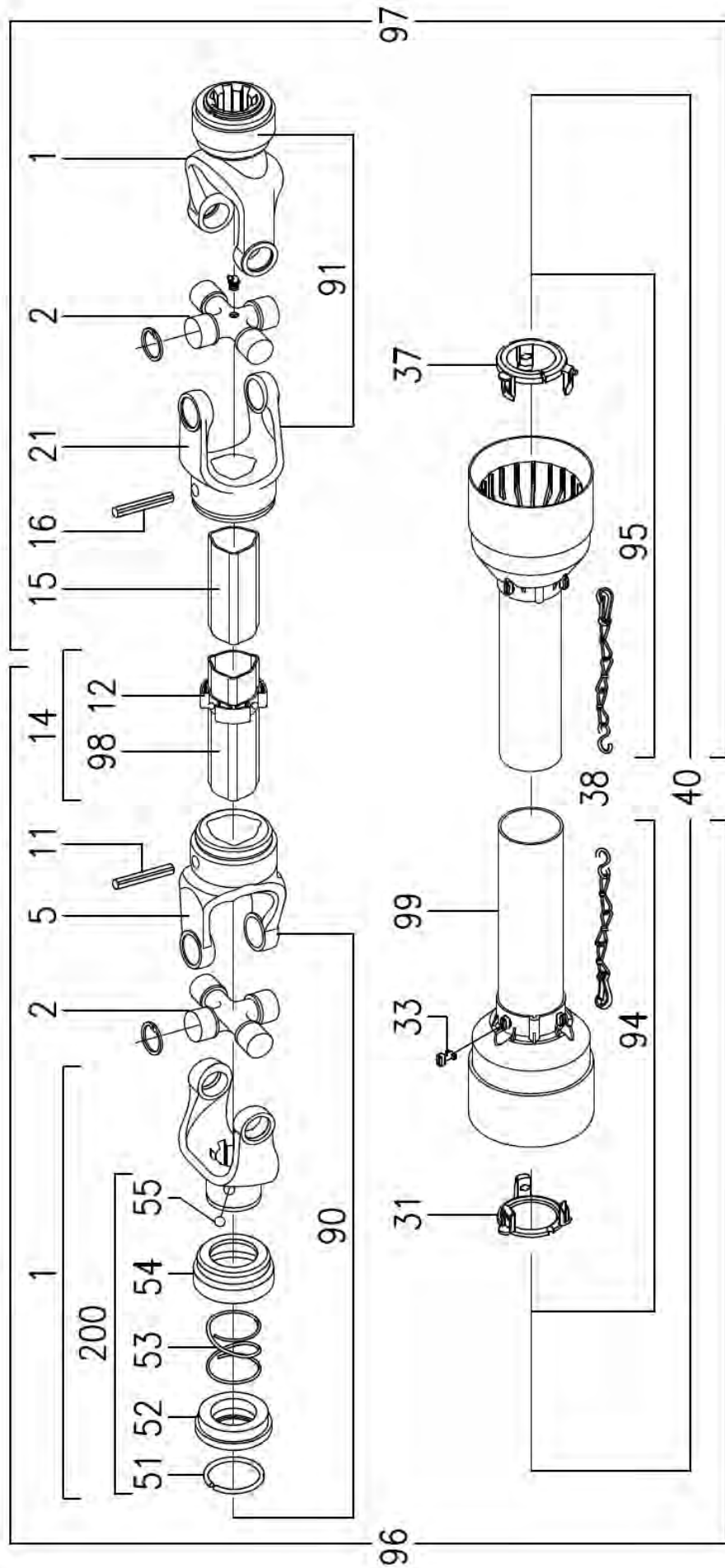
| ITEM | QTY | PART NUMBER    | DESCRIPTION   |
|------|-----|----------------|---|
| 1    | 1   | 37881          | Left Spinner Plate                                      |
| 2    | 1   | 37902          | Right Spinner Plate                                     |
| 3    | 1   | 39843          | Braced Spinner Hub                                      |
| 4    | 1   | 40298          | Braced Spinner Hub                                      |
| 5    | 4   | 40310          | Left Paddle   |
| 6    | 4   | 40311          | Right Paddle  |
| 7    | 2   | 700-157        | Load Bearing Washer                                     |
| 8    | 8   | HB1/2-13X2Z5   | Hex Bolt 1/2-13x2 Grade 5 Zinc Plated Hex Cap Screw     |
| 9    | 8   | HB3/4-10X3.5Z5 | Hex Bolt 3/4-10x3 1/2 Grade 5 Zinc Plated Hex Cap Screw |
| 10   | 24  | LN1/2-13NCZ5   | LN 1/2-13 Zinc Plated Nylon Insert Lock Nut             |
| 11   | 8   | LN3/4-10NCZ5   | LN 3/4-10 Zinc Plated Nylon Insert Lock Nut             |
| 12   | 2   | M14X45X2       | Metric Bolt   |
| 13   | 16  | PB 1/2-13X1.5  | Plow Bolts - 1/2-13 x 1 1/2 Flat Head Gr.5              |

*Intentionally Left Blank*



# Section 5 - PTOs

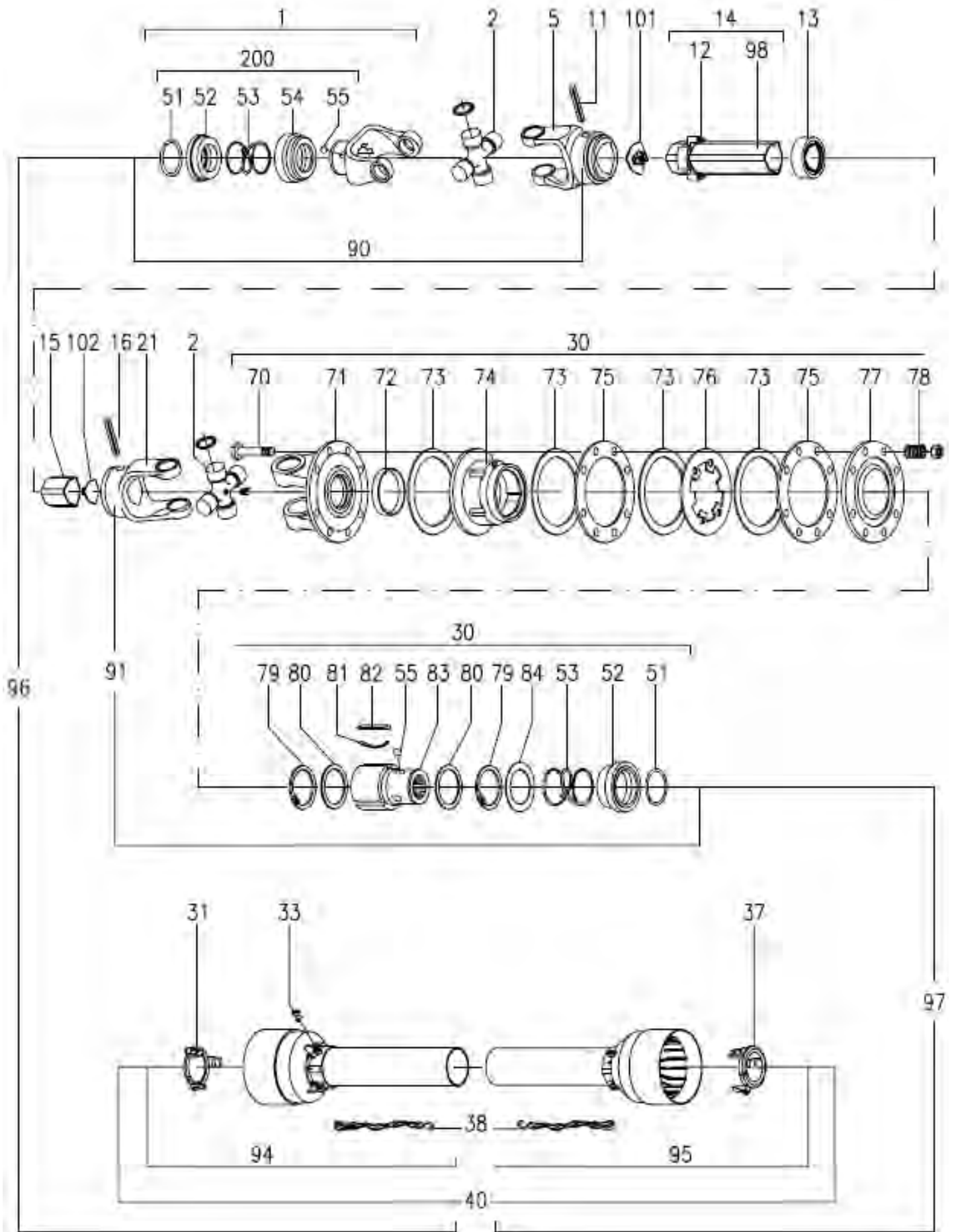
30839 - PTO Shaft - Primary Shaft for Manure Spreader N375-N600



## 30839 - PTO Shaft - Primary Shaft for Manure Spreader N375-N600

| ITEM | QTY | PART NUMBER         | DESCRIPTION                            |
|------|-----|---------------------|--|
| 1    | 2   | PTO141.026.544      | Complete Collar Yoke C12 1 3/8" Z6     |
| 2    | 2   | PTO180.016.130      | Cross Journal Set 30.2x92              |
| 5    | 1   | PTO151.016.028      | Outer Yoke                             |
| 11   | 1   | PTO190.000.018      | Roll Pin for Outer Tube                |
| 12   | 1   | PTO180.016.316      | Bush with Grease Nipple                |
| 14   | 1   | PTO152.170.271.0720 | Complete Outer Tube L=850              |
| 15   | 1   | PTO153.160.112      | Inner Tube L=865                       |
| 16   | 1   | PTO190.000.016      | Roll Pin for Inner Tube                |
| 21   | 1   | PTO151.016.029      | Inner Yoke                             |
| 31   | 1   | PTO180.016.016      | Guard Retaining Collar for Outer Tube  |
| 33   | 6   | PTO190.000.019      | Bolt                                   |
| 37   | 1   | PTO180.016.015      | Guard Retaining Collar for Inner Tube  |
| 38   | 2   | PTO180.016.025      | Safety Chains                          |
| 40   | 1   | PTO142.260.429.7620 | Complete Guard with Instruction Manual |
| 51   | 2   | PTO190.000.451      | Outer Circlip                          |
| 52   | 2   | PTO151.016.486      | Sliding Sleeve Collar                  |
| 53   | 2   | PTO180.016.487      | Spring                                 |
| 54   | 2   | PTO180.016.483      | Fixed Sleeve                           |
| 55   | 6   | PTO190.000.078      | Ball Ø 1/2"                            |
| 90   | 1   | PTO121.026.899.10   | U Joint for Outer Tube                 |
| 91   | 1   | PTO121.026.900.10   | U Joint for Inner Tube                 |
| 94   | 1   | PTO142.266.203.7620 | Half Female Guard                      |
| 95   | 1   | PTO142.261.305.7620 | Half Male Guard                        |
| 96   | 1   | PTO123.360.334.10   | Half Female Shaft with Guarding        |
| 97   | 1   | PTO123.460.773.10   | Half Male Shaft with Guarding          |
| 98   | 1   | PTO190.000.216      | DANGER Label for Outer Tube            |
| 99   | 1   | PTO190.000.215      | DANGER Label for Outer Guard Tube      |
| 100  | 1   | PTO190.000.371      | Instruction Manual                     |
| 200  | 2   | PTO165.000.628      | Kit Collar 1 3/8"                      |

# 30840 - PTO Slip Clutch for Manure Spreader

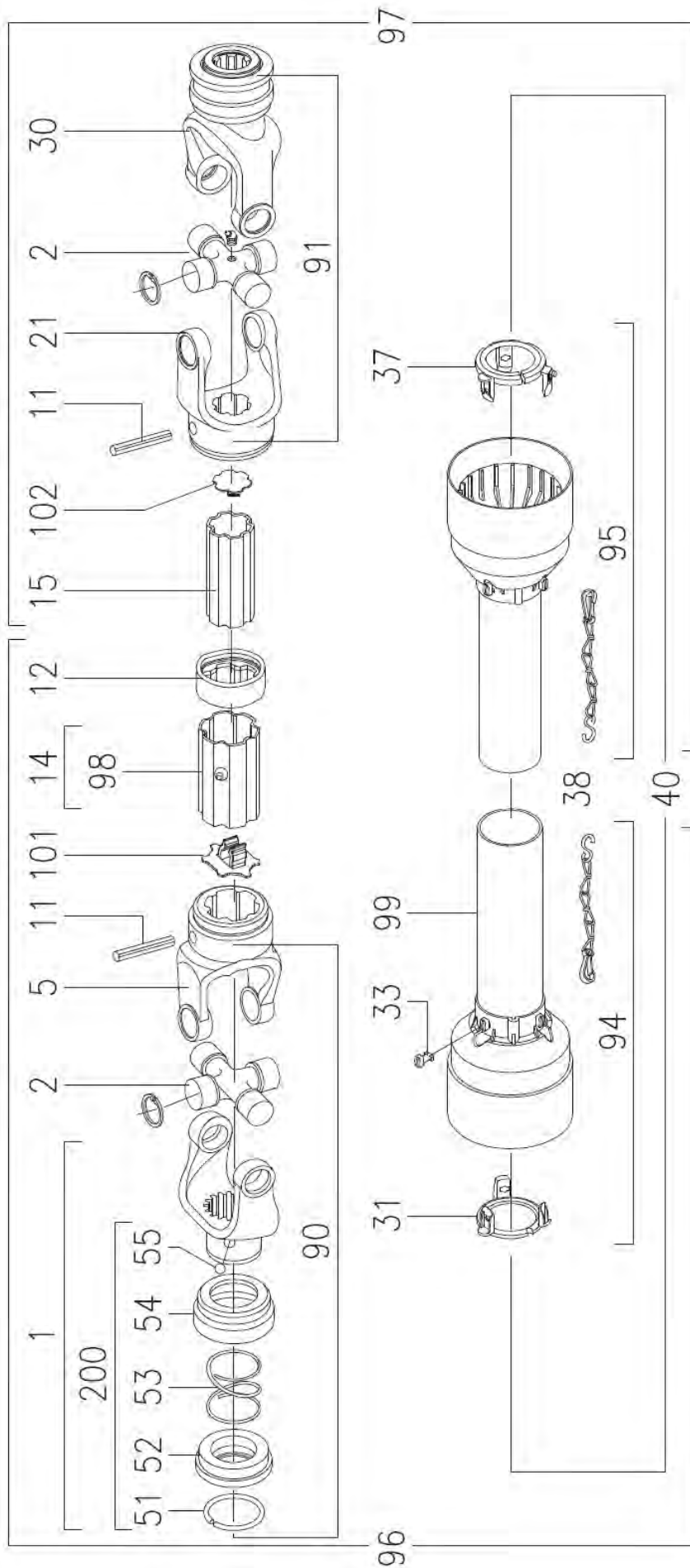




## 30840 - PTO Slip Clutch for Manure Spreader

| ITEM | QTY | PART NUMBER         | DESCRIPTION                            |     |   |                     |                                   |
|------|-----|---------------------|--|-----|---|---------------------|-----------------------------------|
| 1    | 1   | PTO141.026.544      | Complete Collar Yoke C12 1 3/8" Z6     | 77  | 1 | PTO180.017.114      | Pressure Plate                    |
|      |     |                     |  | 78  | 8 | PTO180.014.022      | Spring                            |
| 2    | 2   | PTO180.016.130      | Cross Journal Set 30.2x92              | 79  | 2 | PTO190.000.183      | Inner Circlip                     |
|      |     |                     |  | 80  | 2 | PTO180.014.135      | Retaining Washer                  |
| 5    | 1   | PTO151.016.028      | Outer Yoke                             | 81  | 3 | PTO180.014.137      | Carriage Spring                   |
| 11   | 1   | PTO190.000.018      | Roll Pin for Outer Tube                | 82  | 3 | PTO151.014.136      | Tang                              |
|      |     |                     |  | 83  | 1 | PTO151.016.546      | Hub R12                           |
| 12   | 1   | PTO180.016.316      | Bush for Grease Fitting                | 84  | 1 | PTO180.015.143      | Spring Push Ring                  |
|      |     |                     |  | 90  | 1 | PTO121.026.899.10   | U Joint for Outer Tube            |
| 13   | 1   | PTO180.016.572      | Wiper                                  | 91  | 1 | PTO121.026.747.10   | U Joint for Inner Tube            |
| 14   | 1   | PTO152.170.366.0720 | Complete Outer Tube L=1005             |     |   |                     |                                   |
| 15   | 1   | PTO153.160.114      | Inner Tube L=1065                      | 94  | 1 | PTO142.266.272.7620 | Half Female Guard                 |
| 16   | 1   | PTO190.000.016      | Roll Pin for Inner Tube                | 95  | 1 | PTO142.267.239.7620 | Half Male Guard                   |
|      |     |                     |  | 96  | 1 | PTO123.360.465.10   | Half Female Shaft with Guarding   |
| 21   | 1   | PTO151.016.029      | Inner Yoke                             | 97  | 1 | PTO123.460.1007.10  | Half Male Shaft with Guarding     |
| 30   | 1   | PTO146.364.001      | Complete Disc Clutch RF6 (1400 Nm)     |     |   |                     |                                   |
| 31   | 1   | PTO180.016.016      | Guard Retaining Collar for Outer Tube  | 98  | 1 | PTO190.00.216       | DANGER Label for Outer Tube       |
|      |     |                     |  | 99  | 1 | PTO190.000.215      | DANGER Label for Outer Guard Tube |
| 33   | 6   | PTO190.000.019      | Bolt                                   | 100 | 1 | PTO190.000.371      | Instruction Manual                |
| 37   | 1   | PTO180.016.015      | Guard Retaining Collar for Inner Tube  | 101 | 1 | PTO180.016.468      | Outer Closing Cap                 |
|      |     |                     |  | 102 | 1 | PTO180.016.529      | Inner Closing Cap                 |
| 38   | 2   | PTO180.016.636      | Safety Chains                          | 200 | 1 | PTO165.000.628      | Kit Collar 1 3/8"                 |
| 40   | 1   | PTO142.260.496.7620 | Complete Guard with Instruction Manual |     |   |                     |                                   |
| 51   | 2   | PTO190.000.451      | Outer Circlip                          |     |   |                     |                                   |
| 52   | 2   | PTO151.016.486      | Sliding Sleeve Collar                  |     |   |                     |                                   |
| 53   | 2   | PTO180.016.487      | Spring                                 |     |   |                     |                                   |
| 54   | 1   | PTO180.016.483      | Fixed Sleeve                           |     |   |                     |                                   |
| 55   | 6   | PTO190.000.078      | Balls Ø1/2"                            |     |   |                     |                                   |
| 70   | 8   | PTO165.000.548      | Bolt M10x100 & nut                     |     |   |                     |                                   |
| 71   | 1   | PTO.141.026.347     | Flanged Yoke                           |     |   |                     |                                   |
| 72   | 1   | PTO180.017.112      | Bush                                   |     |   |                     |                                   |
| 73   | 4   | PTO180.017.106      | Lining Ring                            |     |   |                     |                                   |
| 74   | 1   | PTO141.027.107      | Body RF with Grease Nipple             |     |   |                     |                                   |
| 75   | 2   | PTO180.017.105      | Inner Plate                            |     |   |                     |                                   |
| 76   | 1   | PTO180.017.104      | Intermediate Plate                     |     |   |                     |                                   |

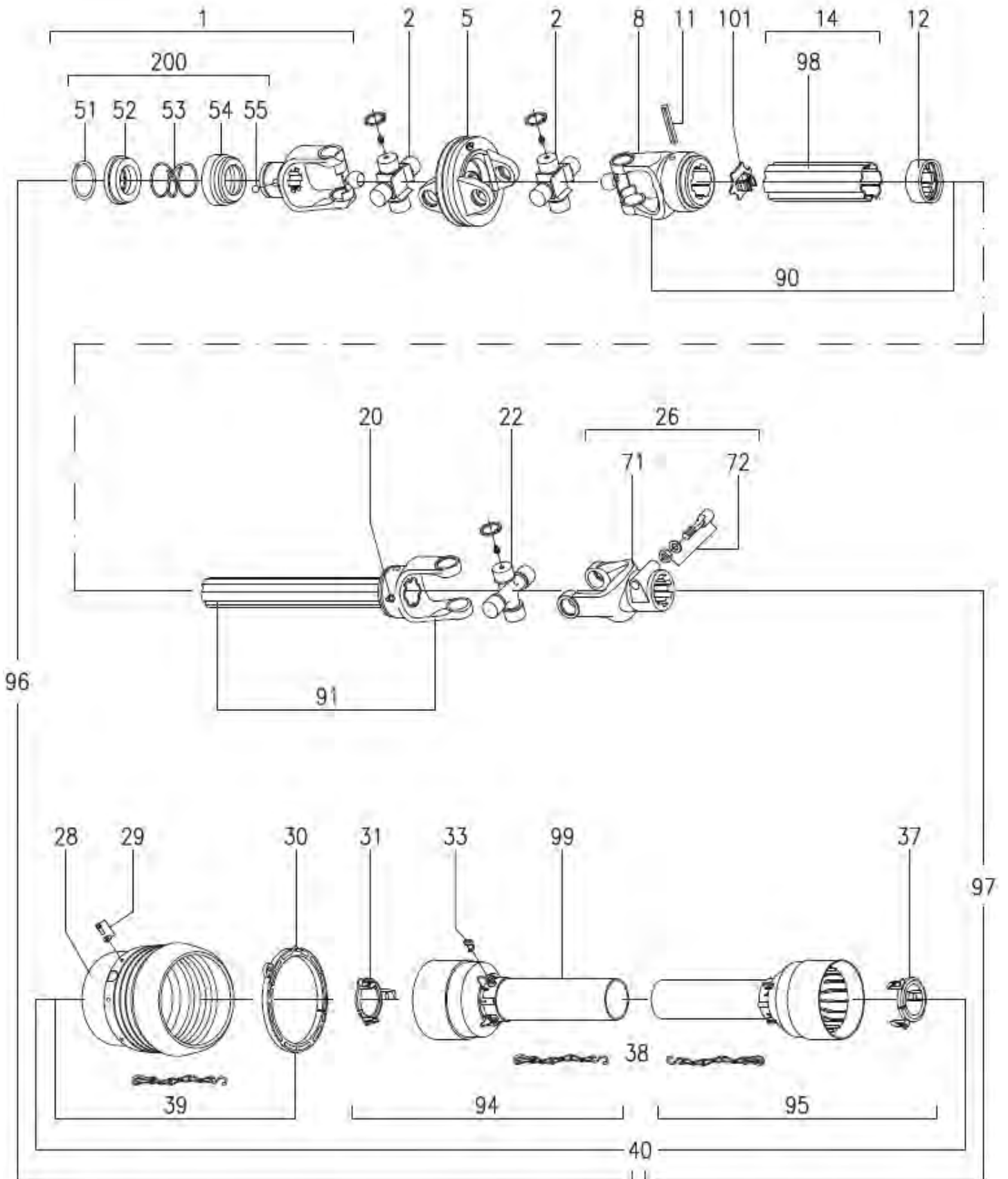
# 30841 - PTO Slip Clutch for Manure Spreader



## 30841 - PTO Slip Clutch for Manure Spreader

| ITEM | QTY | PART NUMBER         | DESCRIPTION                            |
|------|-----|---------------------|--|
| 1    | 1   | PTO141.026.553      | Complete Collar Yoke C13 1 3/8" Z21    |
| 2    | 2   | PTO180.016.004      | Cross Journal Set 30.2x92              |
| 5    | 1   | PTO151.016.388      | Outer Yoke                             |
| 11   | 1   | PTO8.4.5.02111      | Roll Pin for Outer Tube                |
| 12   | 1   | PTO180.016.573      | Wiper                                  |
| 14   | 1   | PTO150.260.014.0720 | Complete Outer Tube L=355              |
| 15   | 1   | PTO153.260.108      | Inner Tube L=415                       |
| 16   | 1   | PTO190.000.018      | Roll Pin for Inner Tube                |
| 21   | 1   | PTO151.016.389      | Inner Yoke                             |
| 30   | 1   | PTO141.026.544      | Complete Collar Yoke C12 1 3/8" Z6     |
| 31   | 1   | PTO180.016.016      | Guard Retaining Collar for Outer Tube  |
| 33   | 6   | PTO190.000.019      | Bolt                                   |
| 37   | 1   | PTO180.016.015      | Guard Retaining Collar for Inner Tube  |
| 38   | 2   | PTO180.016.790      | Safety Chains                          |
| 40   | 1   | PTO142.260.505.9620 | Complete Guard with Instruction Manual |
| 51   | 2   | PTO190.000.451      | Outer Circlip                          |
| 52   | 2   | PTO151.016.486      | Sliding Sleeve Collar                  |
| 53   | 2   | PTO180.016.487      | Spring                                 |
| 54   | 2   | PTO180.016.483      | Fixed Sleeve                           |
| 55   | 6   | PTO190.000.078      | Ball Ø 1/2"                            |
| 90   | 1   | PTO121.026.913.00   | U Joint for Outer Tube                 |
| 91   | 1   | PTO121.026.912.00   | U Joint for Inner Tube                 |
| 94   | 1   | PTO142.266.280.9620 | Half Female Guard                      |
| 95   | 1   | PTO142.267.248.9620 | Half Male Guard                        |
| 96   | 1   | PTO123.366.197.00   | Half Female Shaft with Guard           |
| 97   | 1   | PTO123.466.342.00   | Half Male Shaft with Guard             |
| 98   | 1   | PTO190.000.216      | DANGER Label for Outer Tube            |
| 99   | 1   | PTO190.000.215      | DANGER Label for Outer Guard Tube      |
| 100  | 1   | PTO190.000.371      | Instruction Manual                     |
| 101  | 1   | PTO180.016.474      | Outer Closing Cap                      |
| 102  | 1   | PTO180.016.575      | Inner Closing Cap                      |
| 200  | 2   | PTO165.000.628      | Kit Collar 1 3/8"                      |

39850 - PTO. 375,450,525,600,750 (V80-141P028359-028028-CV80-CLS)

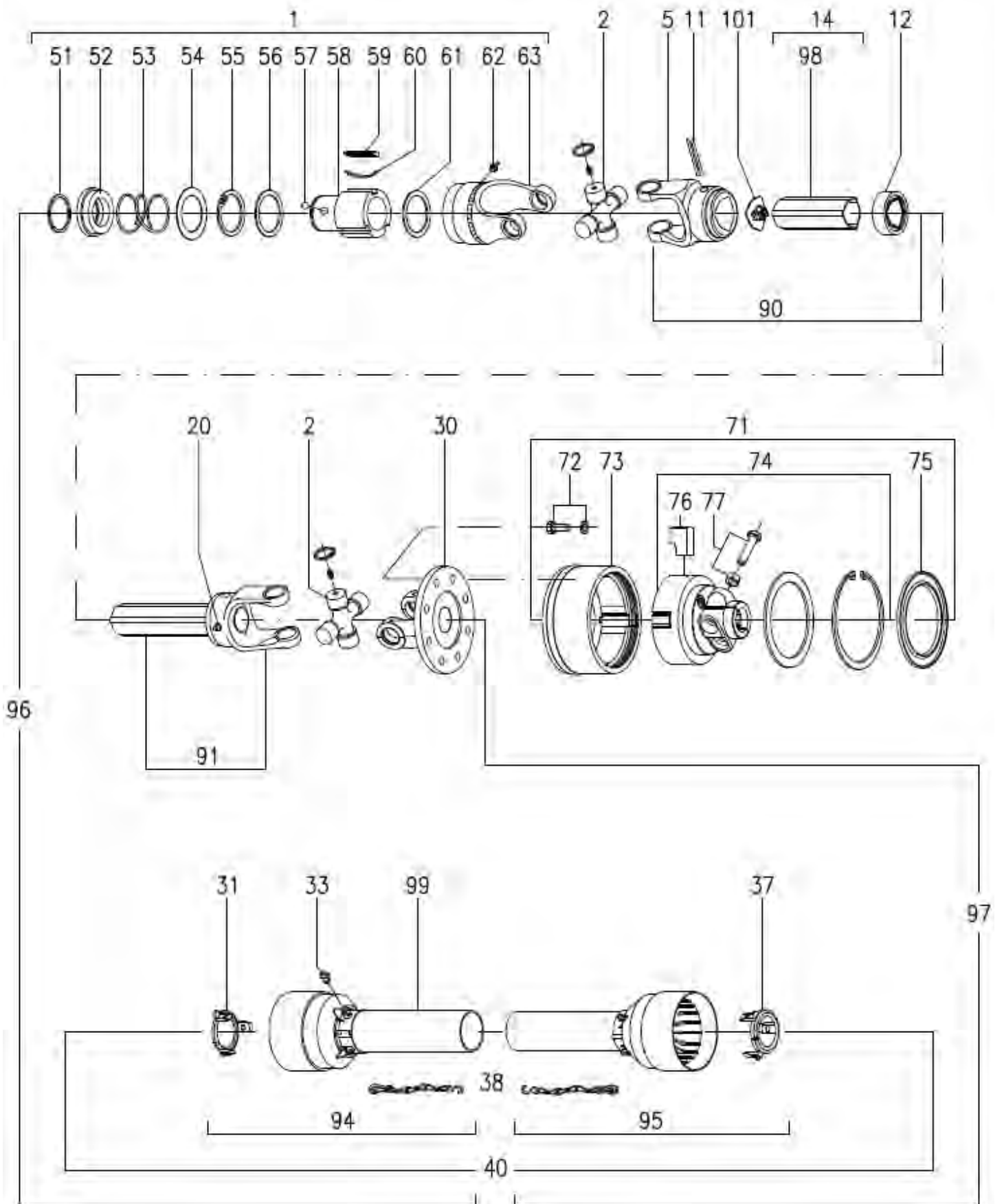




**39850 - PTO. 375,450,525,600,750 (V80-141P028359-028028-CV80-CLS)**

| <b>ITEM</b> | <b>QTY</b> | <b>PART NUMBER</b>  | <b>DESCRIPTION</b>                     |
|-------------|------------|---------------------|--|
| 1           | 1          | PTO141.028.359.1    | Complete Collar yoke C03 for CV-Joint  |
| 2           | 2          | PTO180.018.580      | Cross Journal Set for CV-Joint         |
| 5           | 1          | PTO141.028.157.1    | Wide Angle Double Yoke                 |
| 8           | 1          | PTO141.028.248.1    | Outer Yoke                             |
| 11          | 1          | PTO190.000.243      | Roll Pin for Outer Tube                |
| 12          | 1          | PTO180.018.437      | Wiper                                  |
| 14          | 1          | PTO152.280.566.0720 | Complete Outer Tube                    |
| 20          | 1          | PTO180.017.411      | Grease Nipple for Lube                 |
| 22          | 1          | PTO180.018.641      | Cross Journal Set                      |
| 26          | 1          | PTO141.028.028.1    | Complete Yoke 132                      |
| 28          | 1          | PTO180.018.582      | Guard Cone for Wide Angle CV-Joint     |
| 29          | 6          | PTO165.000.694      | Screw Kit                              |
| 30          | 1          | PTO158.018.582      | Bearing Ring                           |
| 31          | 1          | PTO180.018.251      | Guard Retaining Collar for Outer Tube  |
| 33          | 3          | PTO180.014.240      | Bolt                                   |
| 37          | 1          | PTO180.018.252      | Guard Retaining Collar for Inner Tube  |
| 38          | 1          | PTO180.016.790      | Safety Chains                          |
| 39          | 1          | PTO165.000.801      | Guard Cone Set                         |
| 40          | 1          | PTO142.981.078.2821 | Complete Guard with Instruction Manual |
| 51          | 1          | PTO190.000.451      | Outer Circlip                          |
| 52          | 1          | PTO151.016.486      | Sliding Sleeve Collar                  |
| 53          | 1          | PTO180.016.487      | Spring                                 |
| 54          | 1          | PTO180.016.483      | Fixed Sleeve                           |
| 55          | 3          | PTO190.000.078      | Ball Ø 1/2"                            |
| 71          | 1          | PTO151.018.028.1    | Yoke 132                               |
| 72          | 1          | PTO165.000.502      | Tapered Pin Set 1" 3/8                 |
| 90          | 1          | PTO122.981.049.1    | Female Tube with Yoke and Lube System  |
| 91          | 1          | PTO122.580.526.1    | Male Tube with Yoke and Lube System    |
| 94          | 1          | PTO142.283.260.2821 | Half Female Guarding with Label        |
| 95          | 1          | PTO142.287.230.2821 | Half Male Guarding                     |
| 96          | 1          | PTO199811410F05006  | Half Female Shaft with Guarding        |
| 97          | 1          | PTO123.486.358.01   | Half Male Shaft with Guarding          |
| 98          | 1          | PTO190.000.216      | DANGER Label for Outer Tube            |
| 99          | 1          | PTO190.000.215      | DANGER Label for Outer Guard Tube      |
| 100         | 1          | PTO190.000.371      | Instruction Manual                     |
| 101         | 1          | PTO180.018.393      | Plastic Cap for Outer Tube             |
| 200         | 1          | PTO165.000.628      | Kit Collar for Yoke 1 3/8"             |

39852 - PTO. 600, 750,275,725 (T60-086P265011-306028-CLS(2500NM))



**39852 - PTO. 600, 750,275,725 (T60-086P265011-306028-CLS(2500NM))**

| ITEM | QTY | PART NUMBER         | DESCRIPTION   |
|------|-----|---------------------|---|
| 1    | 1   | PTO145.265.011.1    | Complete Overrunning Clutch R12                     |
| 2    | 2   | PTO180.016.780      | Cross Journal Set                                   |
| 5    | 1   | PTO151.016.028.1    | Outer Yoke  |
| 11   | 1   | PTO190.000.018      | Roll Pin for Outer Tube                             |
| 12   | 1   | PTO180.016.572      | Wiper   |
| 14   | 1   | PTO152.160.435.0720 | Complete Outer Tube                                 |
| 20   | 1   | PTO180.017.411      | Grease Nipple for Lube                              |
| 30   | 1   | PTO151.016.543.1    | Flange FGL  |
| 31   | 1   | PTO180.016.237      | Guard Retaining Collar for Outer Tube               |
| 33   | 6   | PTO180.014.240      | Bolt  |
| 37   | 1   | PTO180.016.238      | Guard Retaining Collar for Inner Tube               |
| 38   | 2   | PTO180.016.790      | Safety Chains                                       |
| 40   | 1   | PTO142.260.536.7621 | Complete Guard with Instruction Manual              |
| 51   | 1   | PTO190.000.451      | Outer Circlip                                       |
| 52   | 1   | PTO151.016.486      | Sliding Sleeve Collar                               |
| 53   | 1   | PTO180.016.487      | Spring  |
| 54   | 1   | PTO180.015.143      | Spring Push Ring                                    |
| 55   | 1   | PTO190.000.183      | Inner Circlip                                       |
| 56   | 1   | PTO180.014.135      | Retaining Washer                                    |
| 57   | 3   | PTO190.000.078      | Ball  |
| 58   | 1   | PTO151.016.546      | Hub R12 (1 3/8" Z6)                                 |
| 59   | 3   | PTO151.014.136      | Ratchet   |
| 60   | 3   | PTO151.014.137      | Leaf Spring   |
| 61   | 1   | PTO190.000.199      | Retaining Washer                                    |
| 62   | 1   | PTO190.000.020      | Grease Nipple M8x1                                  |
| 63   | 1   | PTO141.026.210.1    | Outer Casting with Yoke                             |
| 71   | 1   | PTO144.306.009.1    | Automatic Torque Limiter (1 3/4" Z6)                |
| 72   | 8   | PTO165.000.708      | Special Screw M12x1.25x25 w/ Washers Type "SCHNOOR" |
| 73   | 1   | PTO141.028.411.1    | Outer Casing  |
| 74   | 1   | PTO165.000.713      | Complete Hub (3000Nm w/o Springs)                   |
| 75   | 1   | PTO180.018.400      | Grease Retaining                                    |
| 76   | 4   | PTO151.018.390      | Ratchet   |
| 77   | 2   | PTO165.000.752      | Bolts M12x1.25x60 & Nuts                            |
| 90   | 1   | PTO122.360.088.1    | Female Tube with Yoke and Lube System               |
| 91   | 1   | PTO122.360.568.1    | Male Tube with Yoke and Lube System                 |
| 94   | 1   | PTO142.266.311.7621 | Half Female Guarding with Guarding                  |
| 95   | 1   | PTO142.267.286.7621 | Half Male Guarding                                  |
| 96   | 1   | PTO123.360.519.11   | Half Female Shaft with Guarding                     |
| 97   | 1   | PTO123.460.180.11   | Half Male Shaft with Guarding                       |
| 98   | 1   | PTO190.000.216      | "DANGER" Label for Outer Tube                       |
| 99   | 1   | PTO190.000.215      | "DANGER" Label for Outer Guard Tube                 |
| 100  | 1   | PTO190.000.371      | Instruction Manual                                  |
| 101  | 1   | PTO180.016.468      | Plastic Cap for Outer Tube                          |

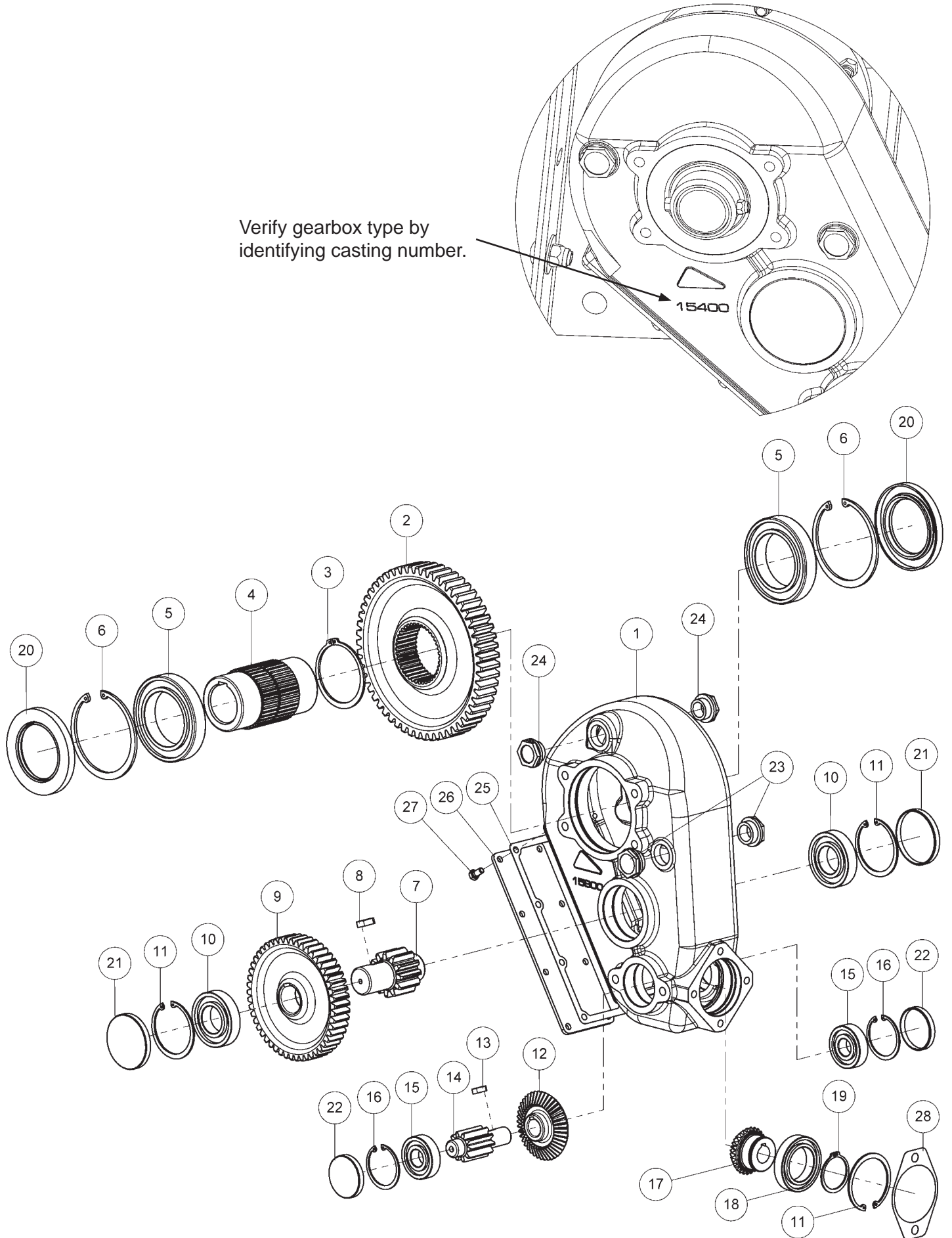
*Intentionally Left Blank*



# Section 6 - Gearboxes

# 34001 - Apron Chain Gearbox - Up to SN 22NRS274

Verify gearbox type by identifying casting number.

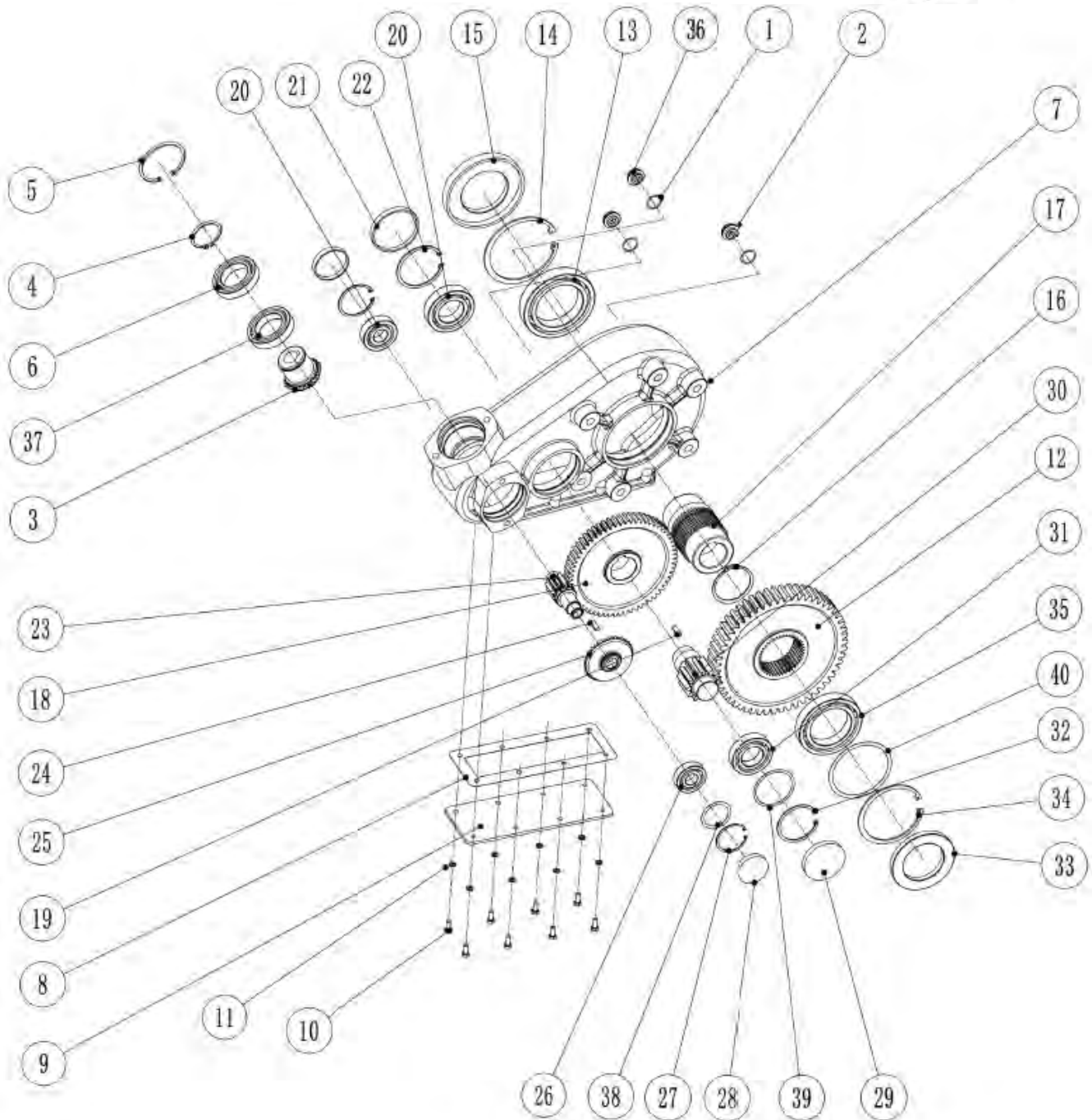
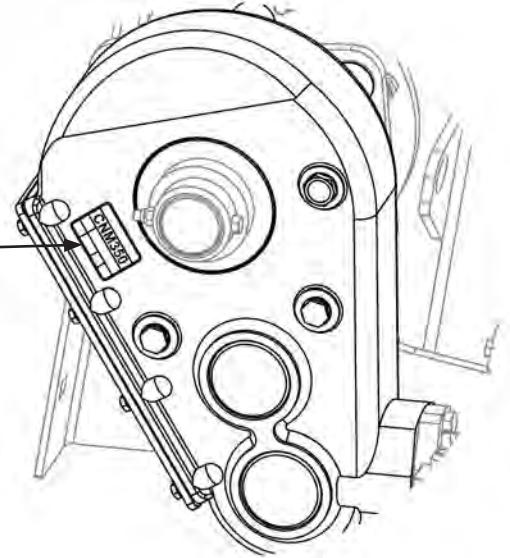


## 34001 - Apron Chain Gearbox - Up to SN 22NRS201

| ITEM | QTY | PART NUMBER | DESCRIPTION                 |
|------|-----|-------------|-----------------------------|
| 1    | 1   | 15800       | Reducer Gearbox             |
| 2    | 1   | 9185        | Gear Wheel Z55              |
| 3    | 1   | 9194        | External Snap Ring E88      |
| 4    | 1   | 9214        | Spline Coupler              |
| 5    | 2   | 9196        | Bearing 6016                |
| 6    | 2   | 9195        | Internal Snap Ring I125     |
| 7    | 1   | 8670/5      | Return Pinion Z12           |
| 8    | 1   | 4174        | Key 12x8x30                 |
| 9    | 1   | 8670/4      | Gear Wheel Z50              |
| 10   | 2   | 3342        | Bearing 6208                |
| 11   | 3   | 3435        | Internal Snap Ring I80      |
| 12   | 1   | 8670/2      | Conical Crown Z43           |
| 13   | 1   | 3396        | Key 8x7x25                  |
| 14   | 1   | 8670/3      | Return Pinion Z10           |
| 15   | 2   | 8596        | Bearing 6305                |
| 16   | 2   | 3433        | Internal Snap Ring I62      |
| 17   | 1   | 8670/1      | Pinion Z28                  |
| 18   | 1   | 1538        | Bearing 6010                |
| 19   | 1   | 3428        | External Snap Ring E50      |
| 20   | 2   | 9197        | Ring Seal 80/125/12-DL      |
| 21   | 2   | 8243        | Cap Ø80 sp.10               |
| 22   | 2   | 8625        | Cap Ø62 sp.10               |
| 23   | 2   | 1831        | Oil Level Indicator Ø1" Gas |
| 24   | 2   | 9175        | Breather Plug Ø1" Gas       |
| 25   | 1   | 9199        | Cover Gasket                |
| 26   | 1   | 9198        | Gearbox Lid                 |
| 27   | 8   | 3284        | Screw TE M8x16-8G           |
| 28   | 1   | 8671        | Engine Gasket               |

# 49994 - CNM350 Apron Chain Gearbox - SN 23NRS201 - Current

Verify gearbox brand by identifying tag plate.

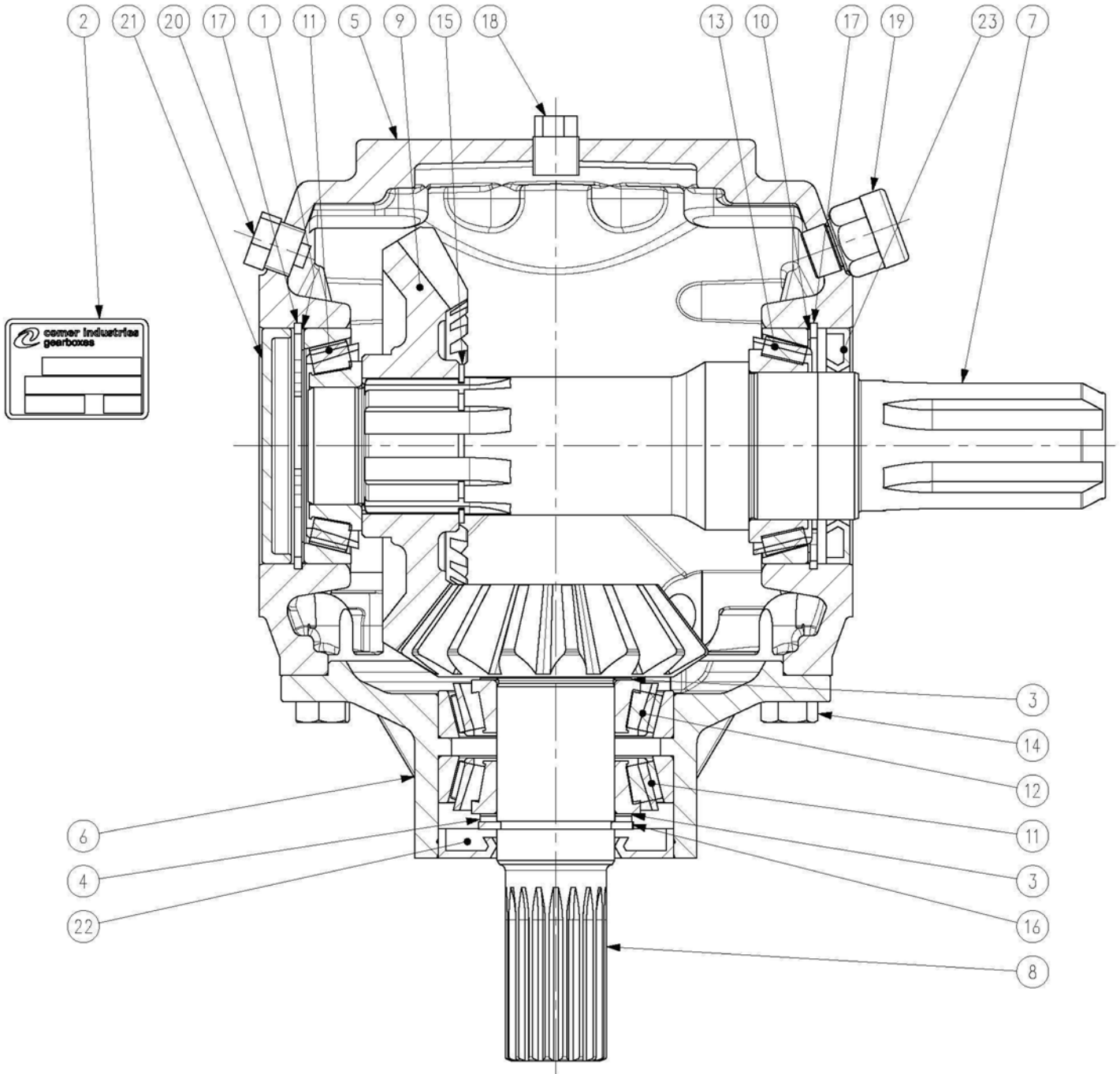


## 49994 - CNM Apron Chain Gearbox - SN 23NRS201 - Current

| ITEM | QTY | PART NUMBER | DESCRIPTION                    | NOTE        |
|------|-----|-------------|--------------------------------|-------------|
| 1    | 3   | 49994-01    | Gasket G3/4                    |             |
| 2    | 1   | 49994-02    | Oil Plug G3/4                  | Items 1,2   |
| 3    | 1   | 49994-03    | Gear 1 M3.5-16                 |             |
| 4    | 1   | 49994-04    | Circlips For Shafts 45 (t=1.5) |             |
| 5    | 1   | 49994-05    | Circlips For Holes 75 (t=2.5)  |             |
| 6    | 1   | 49994-06    | Bearing 6009-2RS               |             |
| 7    | 1   | 49994-07    | Housing CNM350                 |             |
| 8    | 1   | 49994-08    | Gasket                         |             |
| 9    | 1   | 49994-09    | Cover2                         |             |
| 10   | 8   | 49994-10    | Hex Bolt M8x20                 |             |
| 11   | 8   | 49994-11    | Spring Washer 8 Dia            |             |
| 12   | 1   | 49994-12    | Gear 1 M3.5-76                 |             |
| 13   | 1   | 49994-13    | Bearing 6016                   |             |
| 14   | 1   | 49994-14    | Circlips For Holes 125 (T=4)   |             |
| 15   | 1   | 49994-15    | Seal 78 125 10 TC              |             |
| 16   | 1   | 49994-16    | Circlips For Holes 80 (t=2.5)  |             |
| 17   | 1   | 49994-17    | Gear Shaft 55Dia               |             |
| 18   | 1   | 49994-18    | Gear 2 M3-53 (Inc 18/19)       |             |
| 19   | 2   | 49994-19    | Key 12x8x25                    |             |
| 20   | 2   | 49994-20    | Bearing 6207                   |             |
| 21   | 2   | 49994-21    | Seal Cover 72 10               |             |
| 22   | 2   | 49994-22    | Circlips For Holes 72 (t=2.5)  |             |
| 23   | 1   | 49994-23    | Gear Shaft 1 M3-15             |             |
| 24   | 1   | 49994-24    | Key 12x8x20                    |             |
| 25   | 1   | 49994-25    | Bevel Gear 2 M3.5-32           |             |
| 26   | 1   | 49994-26    | Bearing 6208                   |             |
| 27   | 1   | 49994-27    | Circlips For Holes 80 (t=2.5)  |             |
| 28   | 1   | 49994-28    | Seal Cover 80 10               |             |
| 29   | 1   | 49994-29    | Seal Cover 90 10               |             |
| 30   | 1   | 49994-30    | Gear Shaft 2 M3.5-14           |             |
| 31   | 1   | 49994-31    | Bearing 6308                   |             |
| 32   | 1   | 49994-32    | Circlips For Holes 90 (t=3)    |             |
| 33   | 1   | 49994-33    | Seal 85 130 12 TC              |             |
| 34   | 1   | 49994-34    | Circlips For Holes 130 (t=4)   |             |
| 35   | 1   | 49994-35    | Bearing 6017                   |             |
| 36   | 2   | 49994-36    | Oil Level G3/4                 | Incl Item 1 |
| 37   | 1   | 49994-37    | Bearing 6009                   |             |
| 38   | 3   | 49994-38    | Shim Kit 79.8x70x0.2/0.3/0.5   |             |
| 39   | 3   | 49994-39    | Shim Kit 89.8x78x0.2/0.3/0.5   |             |
| 40   | 3   | 49994-40    | Shim Kit 130x115x0.2/0.3/0.5   |             |
|      |     | 49994-RK    | CNM350 Repair Kit              |             |
|      |     | 49994-SK    | CNM350 Seal Kit                |             |



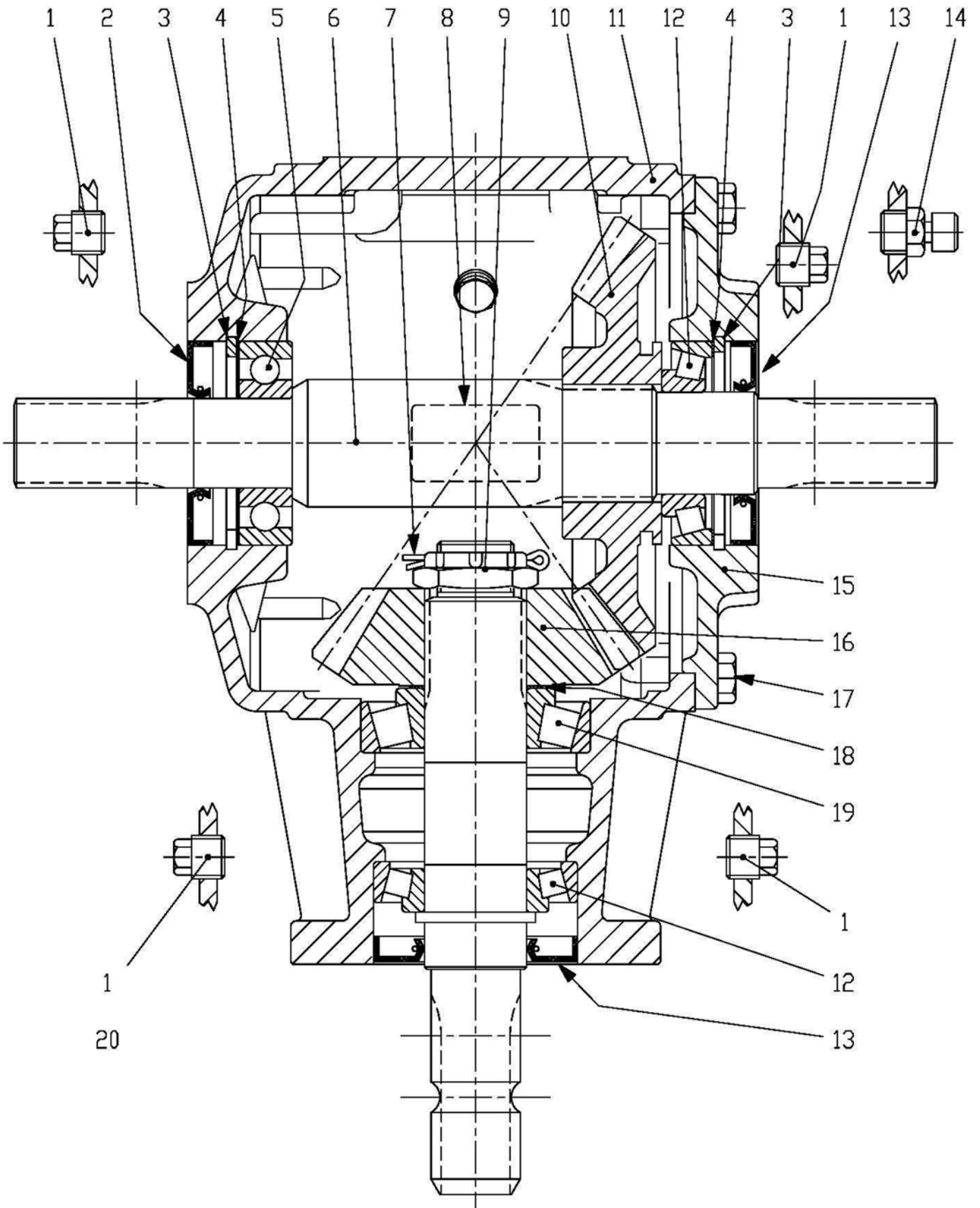
# 30847-2 - 1 3/4" Spline Shaft Gearbox (9.278.760.00)



## 30847-2 - 1 3/4" Spline Shaft Gearbox (9.278.760.00)

| ITEM | QTY | PART NUMBER   | DESCRIPTION                 |
|------|-----|---------------|-----------------------------|
| 1    | 1   | 0.110.7500.00 | Shim 65.3 X 79.7            |
| 2    | 1   | 0.124.7101.00 | Plate "Comer"               |
| 3    | 2   | 0.244.7500.00 | Shim Kit 40.3x51.5          |
| 4    | 1   | 0.244.7520.00 | Shim 40.3x2.0               |
| 5    | 1   | 0.278.0304.00 | Casing                      |
| 6    | 1   | 0.278.1354.00 | Extension                   |
| 7    | 1   | 0.278.2218.00 | Shaft 1"3/4 Z6              |
| 8    | 1   | 0.278.5240.00 | Pinion Shaft Z15 M6.2       |
| 9    | 1   | 0.278.6004.00 | Crown Wheel Z24 M6.2        |
| 10   | 1   | 0.660.7500.00 | Shim 79.9                   |
| 11   | 2   | 8.0.9.00024   | Bearing 30208               |
| 12   | 1   | 8.0.9.01060   | Bearing 30208               |
| 13   | 1   | 8.0.9.01241   | Bearing 32010 X             |
| 14   | 8   | 8.1.1.00061   | Bolt HH M10x25 UNI5739 8.8  |
| 15   | 1   | 8.5.1.00260   | Snap Ring 46 UNI7435        |
| 16   | 1   | 8.5.1.00680   | Snap Ring Shaft D40 UNI7436 |
| 17   | 2   | 8.5.2.00030   | Snap Ring Hole D80 UNI7437  |
| 18   | 1   | 8.6.5.00006   | Plug External 3/8" Gas      |
| 19   | 1   | 8.6.7.00161   | Breather Plug 3/8" Gas      |
| 20   | 1   | 8.6.8.01975   | Magnetic Plug 3/8" Gas      |
| 21   | 1   | 8.7.0.00790   | Cap 80x10                   |
| 22   | 1   | 8.7.3.00027   | Oil Seal 40x80x10           |
| 23   | 1   | 8.7.3.02599   | Dust Lip                    |

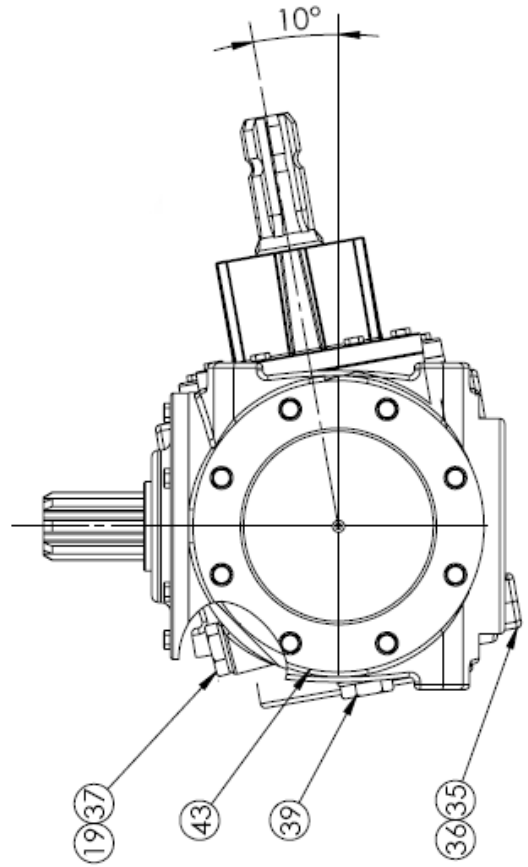
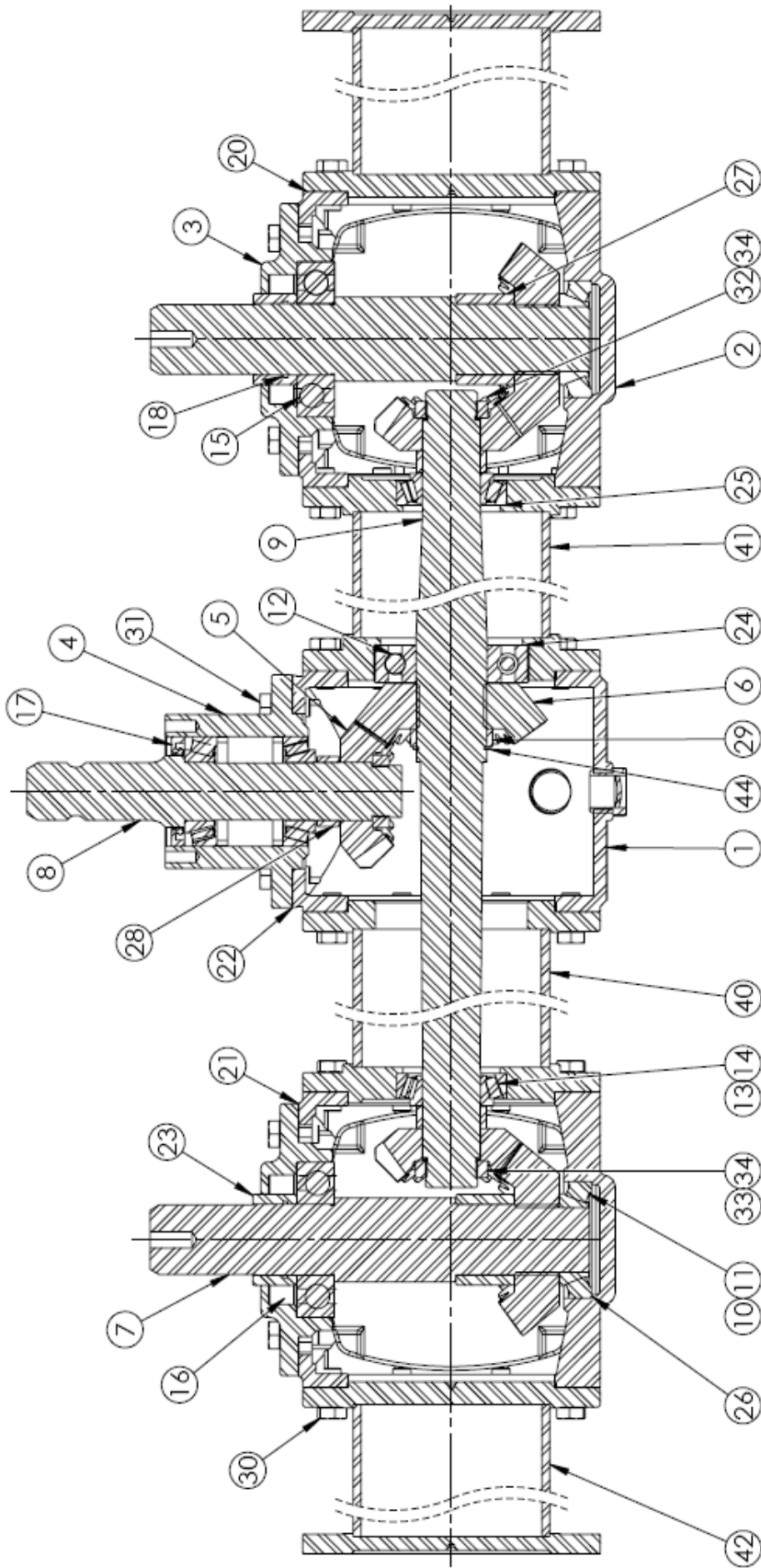
# 30848 - Centre Gearbox (9.290.621.00)



### 30848 - Centre Gearbox (9.290.621.00)

| ITEM | QTY | PART NUMBER   | DESCRIPTION              |
|------|-----|---------------|--------------------------|
| 1    | 4   | 8.6.5.00006   | Plug 3/8" Gas            |
| 2    | 1   | 8.7.3.00081   | Oil Seal 35x80x10        |
| 3    | 2   | 8.5.2.01370   | Snap Ring 80 UNI7438     |
| 4    | 2   | 0.267.7500.00 | Shim 79.9                |
| 5    | 1   | 8.0.1.00049   | Ball Bearing 6307        |
| 6    | 1   | 0.290.3216.00 | Shaft 35x31 DIN 5482     |
| 7    | 1   | 8.4.7.01111   | Cotter Pin B4x55         |
| 8    | 1   | 0.124.7101.00 | Plate                    |
| 9    | 1   | 0.132.7106.00 | Nut M30x1.5              |
| 10   | 1   | 0.272.5001.00 | Crown Wheel Z28 M6.22    |
| 11   | 1   | 0.290.0308.00 | Casing                   |
| 12   | 2   | 8.0.9.00024   | Bearing 30208            |
| 13   | 2   | 8.7.3.00027   | Oil Seal 40x80x10        |
| 14   | 1   | 8.6.7.00161   | Oil Filler Plug 3/8" Gas |
| 15   | 1   | 0.290.1367.00 | Cover                    |
| 16   | 1   | 0.272.6001.00 | Pinion Z19 M6.22         |
| 17   | 8   | 8.1.1.00061   | Bolt M10x25 8.8          |
| 18   | 1   | 0.244.7500.00 | Shim Kit 40.3x51.5       |
| 19   | 1   | 8.0.9.00128   | Bearing 30308            |
| 20   | 1   | 0.290.2001.00 | Shaft                    |

# 43856 - Beater Gearbox (Standard 540RPM)

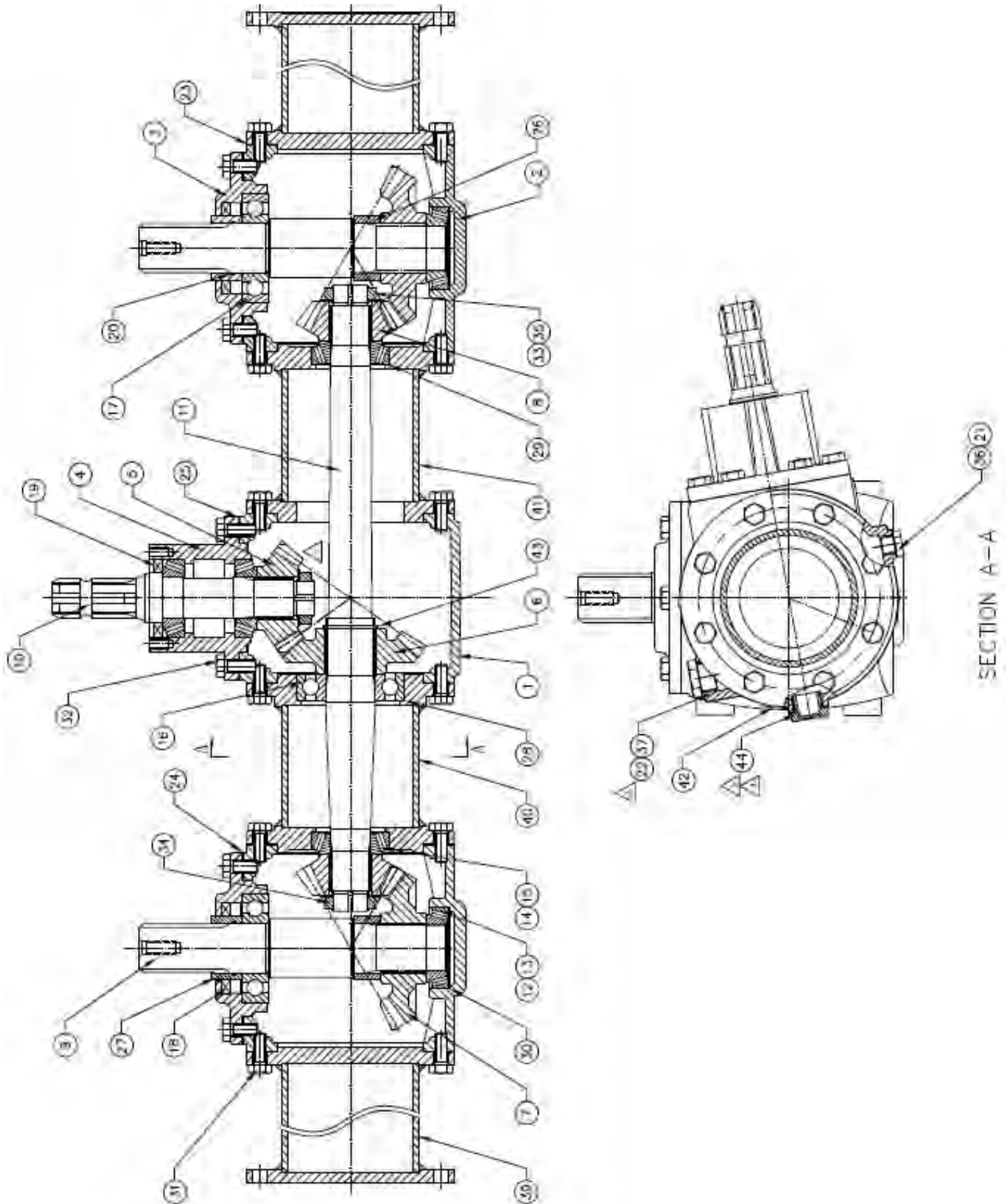




## 43856 - Beater Gearbox (Standard 540RPM)

| ITEM | QTY | PART NUMBER | DESCRIPTION                         |
|------|-----|-------------|-------------------------------------|
| 1    | 1   | 010613      | Central Gearbox 10° Offset Housing  |
| 2    | 2   | 010614      | Side Gearbox Housing                |
| 3    | 2   | 020578      | Output Caps                         |
| 4    | 1   | 020579      | Cantilevered Caps                   |
| 5    | 3   | 031469      | 18T Pinion                          |
| 6    | 3   | 031470      | 22T Gear                            |
| 7    | 2   | 041035      | Output Shaft 2.125" 8 Spline        |
| 8    | 1   | 041036      | Input Shaft 1.75" 6 Spline          |
| 9    | 1   | 041037      | Thru Shaft                          |
| 10   | 2   | 050220      | Bearing Cup 32210                   |
| 11   | 2   | 050221      | Bearing Cone 32210                  |
| 12   | 1   | 050414      | Bearing Ball 6311                   |
| 13   | 4   | 050474      | Bearing Cup 32209                   |
| 14   | 4   | 050475      | Bearing Cone 32209                  |
| 15   | 2   | 050555      | Bearing Ball 6311-RS                |
| 16   | 2   | 060124      | Output Seal                         |
| 17   | 1   | 060239      | Input Seal                          |
| 18   | 2   | 060485      | O-Ring Ø54.5x2.65                   |
| 19   | 1   | 060487      | O-Ring Ø18x3                        |
| 20   | 6   | 070454      | Side Gasket                         |
| 21   | 2   | 070455      | Output Gasket                       |
| 22   | 1   | 070456      | Input Gasket                        |
| 23   | 2   | 090570      | Spacer Ø70xØ55x34mm                 |
| 24   | 1   | 090571      | Shim Ø119.5xØ111xVar                |
| 25   | 2   | 090572      | Shim Ø84.5xØ76xVar                  |
| 26   | 2   | 090573      | Shim Ø89.5xØ81xVar                  |
| 27   | 2   | 090578      | Spacer Ø70xØ55x45mm                 |
| 28   | 3   | 090579      | Spacer Ø55xØ47x17mm                 |
| 29   | 1   | 090580      | Spacer Ø63xØ54x14mm                 |
| 30   | 48  | 110343      | Hex Head Cap Screw M141-2.0x35      |
| 31   | 18  | 110470      | Hex Head Cap Screw M14-2.0x30       |
| 32   | 1   | 120193      | Bearing Locknut M40x1.5             |
| 33   | 2   | 120194      | Bearing Locknut M40x1.5 (LH)        |
| 34   | 3   | 130267      | Bearing Washer M40                  |
| 35   | 1   | 130276      | Copper Washer M20                   |
| 36   | 1   | 140213      | Flange Hex Head Plug M20x1.5        |
| 37   | 1   | 140221      | Flange Hex Head Plug M30x2.0        |
| 38   | 1   | 140222      | Sight Glass Plug M27x1.5            |
| 39   | 1   | 140224      | Flange Plug M27x1.5                 |
| 40   | 1   | 180478      | Left Inner Extension Tube Assembly  |
| 41   | 1   | 180479      | Right Inner Extension Tube Assembly |
| 42   | 2   | 180506      | Outer Extension Tube Assembly       |
| 43   | 1   | 190156      | ID Tag                              |
| 44   | 1   | 200127      | External Retaining Ring E55         |








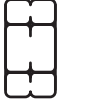


# 42409 - Beater Gearbox (Optional 1000RPM)



## 42409 - Beater Gearbox (Optional 1000RPM)

| ITEM | QTY | PART NUMBER | DESCRIPTION                            |
|------|-----|-------------|--|
| 1    | 1   | 010613      | Central Gearbox Housing 10" Offset     |
| 2    | 2   | 010614      | Side Gearbox Housing                   |
| 3    | 2   | 020578      | Output Cap                             |
| 4    | 1   | 020579      | Cantilevered Cap                       |
| 5    | 1   | 031421      | 17T Bevel                              |
| 6    | 1   | 031422      | 24T Bevel                              |
| 7    | 2   | 031423      | 22T Bevel                              |
| 8    | 2   | 031424      | 13T Bevel                              |
| 9    | 2   | 041035      | Output Shaft 2.125" 8-Spline           |
| 10   | 1   | 041036      | Input Shaft 1.75" 6-Spline             |
| 11   | 1   | 041037      | Thru Shaft                             |
| 12   | 2   | 050220      | Bearing Cup 32210                      |
| 13   | 4   | 050221      | Bearing Cone 32210                     |
| 14   | 4   | 050474      | Bearing Cup 32209                      |
| 15   | 1   | 050475      | Bearing Cone 32209                     |
| 16   | 2   | 050414      | Bearing Ball 6311                      |
| 17   | 2   | 050555      | Bearing Ball 6311-RS                   |
| 18   | 1   | 060124      | Output Seal                            |
| 19   | 2   | 060239      | Input Seal                             |
| 20   | 1   | 060485      | O-Ring Ø54.5x2.65                      |
| 21   | 1   | 060486      | O-Ring Ø18x3                           |
| 22   | 6   | 060487      | O-Ring Ø26.5x2.65                      |
| 23   | 2   | 070454      | Side Gasket                            |
| 24   | 1   | 070455      | Output Gasket                          |
| 25   | 1   | 070456      | Input Gasket                           |
| 26   | 2   | 090569      | Spacer Ø70x55x30mm                     |
| 27   | 2   | 090570      | Spacer Ø70x55x34mm                     |
| 28   | 1   | 090571      | Shim Ø119.5x111xVAR                    |
| 29   | 2   | 090572      | Shim Ø84.5x76xVAR                      |
| 30   | 2   | 090573      | Shim Ø89.5x81xVAR                      |
| 31   | 48  | 110343      | Hex Head Cap Screw M14x2.0x35          |
| 32   | 18  | 110470      | Hex Head Cap Screw M14x2.0x30          |
| 33   | 1   | 120193      | Bearing Locknut M40x1.5                |
| 34   | 2   | 120194      | Bearing Locknut M40x1.5 (LH)           |
| 35   | 3   | 130267      | Bearing Washer M40                     |
| 36   | 1   | 140213      | Flange Hex Head Plug M20x1.5           |
| 37   | 1   | 140221      | Flange Hex Head Plug M30x1.5           |
| 38   | 1   | 140222      | Sight Glass Plug M27x1.5               |
| 39   | 2   | 180506      | Outer Extension Tube Subassembly       |
| 40   | 1   | 180478      | Left Inner Extension Tube Subassembly  |
| 41   | 1   | 180479      | Right Inner Extension Tube Subassembly |
| 42   | 1   | 190156      | ID Tag                                 |
| 43   | 1   | 200127      | External Retaining Ring E55            |
| 44   | 1   | 140224      | Flange Plug                            |

# Torque Value Chart - Imperial

|                             |                     |   |   |   |   |   |
|-----------------------------|---------------------|---|---|---|---|---|
| SAE Grade and Head Markings | 1 or 2 <sup>b</sup> | 5   | 5.1   | 5.2   | 8   | 8.2   |
|                             | NO MARK             |  |  |   |  |  |
| SAE Grade and Nut Markings  | 2                   | 5   |   | 8   |   |   |
|                             | NO MARK             |  |  |  |  |  |

| Size  | Grade 1                 |       |                  |       | Grade 2 <sup>b</sup>    |       |                  |       | Grade 5, 5.1, or 5.2    |       |                  |       | Grade 8 or 8.2          |       |                  |       |
|-------|-------------------------|-------|------------------|-------|-------------------------|-------|------------------|-------|-------------------------|-------|------------------|-------|-------------------------|-------|------------------|-------|
|       | Lubricated <sup>a</sup> |       | Dry <sup>a</sup> |       | Lubricated <sup>a</sup> |       | Dry <sup>a</sup> |       | Lubricated <sup>a</sup> |       | Dry <sup>a</sup> |       | Lubricated <sup>a</sup> |       | Dry <sup>a</sup> |       |
|       | N-m                     | lb-ft | N-m              | lb-ft | N-m                     | lb-ft | N-m              | lb-ft | N-m                     | lb-ft | N-m              | lb-ft | N-m                     | lb-ft | N-m              | lb-ft |
| 1/4   | 3.7                     | 2.8   | 4.7              | 3.5   | 6                       | 4.5   | 7.5              | 5.5   | 9.5                     | 7     | 12               | 9     | 13.5                    | 10    | 17               | 12.5  |
| 5/16  | 7.7                     | 5.5   | 10               | 7     | 12                      | 9     | 15               | 11    | 20                      | 15    | 25               | 18    | 28                      | 21    | 35               | 26    |
| 3/8   | 14                      | 10    | 17               | 13    | 22                      | 16    | 27               | 20    | 35                      | 26    | 44               | 33    | 50                      | 36    | 63               | 46    |
| 7/16  | 22                      | 16    | 28               | 20    | 35                      | 26    | 44               | 32    | 55                      | 41    | 70               | 52    | 80                      | 58    | 100              | 75    |
| 1/2   | 33                      | 25    | 42               | 31    | 53                      | 39    | 67               | 50    | 85                      | 63    | 110              | 80    | 120                     | 90    | 150              | 115   |
| 9/16  | 48                      | 36    | 60               | 45    | 75                      | 56    | 95               | 70    | 125                     | 90    | 155              | 115   | 175                     | 130   | 225              | 160   |
| 5/8   | 67                      | 50    | 85               | 62    | 105                     | 78    | 135              | 100   | 170                     | 125   | 215              | 160   | 240                     | 175   | 300              | 225   |
| 3/4   | 120                     | 87    | 150              | 110   | 190                     | 140   | 240              | 175   | 300                     | 225   | 375              | 280   | 425                     | 310   | 550              | 400   |
| 7/8   | 190                     | 140   | 240              | 175   | 190                     | 140   | 240              | 175   | 490                     | 360   | 625              | 450   | 700                     | 500   | 875              | 650   |
| 1     | 290                     | 210   | 360              | 270   | 290                     | 210   | 360              | 270   | 725                     | 540   | 925              | 675   | 1050                    | 750   | 1300             | 975   |
| 1-1/8 | 400                     | 300   | 510              | 375   | 400                     | 300   | 510              | 375   | 900                     | 675   | 1150             | 850   | 1450                    | 1075  | 1850             | 1350  |
| 1-1/4 | 570                     | 425   | 725              | 530   | 570                     | 425   | 725              | 530   | 1300                    | 950   | 1650             | 1200  | 2050                    | 1500  | 2600             | 1950  |
| 1-3/8 | 750                     | 550   | 950              | 700   | 750                     | 550   | 950              | 700   | 1700                    | 1250  | 2150             | 1550  | 2700                    | 2000  | 3400             | 2550  |
| 1-1/2 | 1000                    | 725   | 1250             | 925   | 990                     | 725   | 1250             | 930   | 2250                    | 1650  | 2850             | 2100  | 3600                    | 2650  | 4550             | 3350  |

DO NOT use these values if a different torque value or tightening procedure is given for a specific application. Torque values listed are for general use only. Check tightness of fasteners periodically.

Shear bolts are designed to fail under predetermined loads. Always replace shear bolts with identical grade.

Fasteners should be replaced with the same or higher grade. If higher grade fasteners are used, these should only be tightened to the strength of the original.

Make sure fasteners threads are clean and that you properly start thread engagement. This will prevent

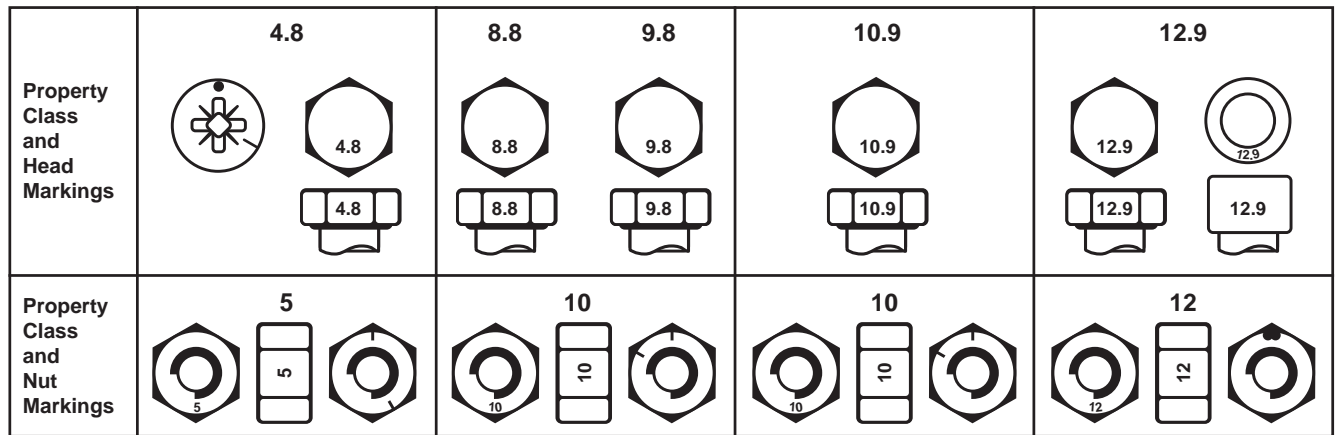
them from failing when tightening.

Tighten plastic insert or crimped steel-type lock nuts to approximately 50 percent of the dry torque shown in the chart, applied to the nut, not to the bolt head. Tighten toothed or serrated-type lock nuts to the full torque value.

<sup>a</sup> "Lubricated" means coated with a lubricant such as engine oil, or fasteners with phosphate and oil coatings. "Dry" means plain or zinc plated without any lubrication.

<sup>b</sup> Grade 2 applies for hex cap screws (not hex bolts) up to 152 mm (6-in.) long. Grade 1 applies for hex cap screws over 152 mm (6-in.) long, and for all other types of bolts and screws of any length.

# Torque Value Chart - Metric



| Size | Class 4.8               |       |                  |       | Class 8.8 or 9.8        |       |                  |       | Class 10.9              |       |                  |       | Class 12.9              |       |                  |       |
|------|-------------------------|-------|------------------|-------|-------------------------|-------|------------------|-------|-------------------------|-------|------------------|-------|-------------------------|-------|------------------|-------|
|      | Lubricated <sup>a</sup> |       | Dry <sup>a</sup> |       | Lubricated <sup>a</sup> |       | Dry <sup>a</sup> |       | Lubricated <sup>a</sup> |       | Dry <sup>a</sup> |       | Lubricated <sup>a</sup> |       | Dry <sup>a</sup> |       |
|      | N-m                     | lb-ft | N-m              | lb-ft | N-m                     | lb-ft | N-m              | lb-ft | N-m                     | lb-ft | N-m              | lb-ft | N-m                     | lb-ft | N-m              | lb-ft |
| M6   | 4.8                     | 3.5   | 6                | 4.5   | 9                       | 6.5   | 11               | 8.5   | 13                      | 9.5   | 17               | 12    | 15                      | 11.5  | 19               | 14.5  |
| M8   | 12                      | 8.5   | 15               | 11    | 22                      | 16    | 28               | 20    | 32                      | 24    | 40               | 30    | 37                      | 28    | 47               | 35    |
| M10  | 23                      | 17    | 29               | 21    | 43                      | 32    | 55               | 40    | 63                      | 47    | 80               | 60    | 75                      | 55    | 95               | 70    |
| M12  | 40                      | 29    | 50               | 37    | 75                      | 55    | 95               | 70    | 110                     | 80    | 140              | 105   | 130                     | 95    | 165              | 120   |
| M14  | 63                      | 47    | 80               | 60    | 120                     | 88    | 150              | 110   | 175                     | 130   | 225              | 165   | 205                     | 150   | 260              | 190   |
| M16  | 100                     | 73    | 125              | 92    | 190                     | 140   | 240              | 175   | 275                     | 200   | 350              | 255   | 320                     | 240   | 400              | 300   |
| M18  | 135                     | 100   | 175              | 125   | 260                     | 195   | 330              | 250   | 375                     | 275   | 475              | 350   | 440                     | 325   | 560              | 410   |
| M20  | 190                     | 140   | 240              | 180   | 375                     | 275   | 475              | 350   | 530                     | 400   | 675              | 500   | 625                     | 460   | 800              | 580   |
| M22  | 260                     | 190   | 330              | 250   | 510                     | 375   | 650              | 475   | 725                     | 540   | 925              | 675   | 850                     | 625   | 1075             | 800   |
| M24  | 330                     | 250   | 425              | 310   | 650                     | 475   | 825              | 600   | 925                     | 675   | 1150             | 850   | 1075                    | 800   | 1350             | 1000  |
| M27  | 490                     | 360   | 625              | 450   | 950                     | 700   | 1200             | 875   | 1350                    | 1000  | 1700             | 1250  | 1600                    | 1150  | 2000             | 1500  |
| M30  | 675                     | 490   | 850              | 625   | 1300                    | 950   | 1650             | 1200  | 1850                    | 1350  | 2300             | 1700  | 2150                    | 1600  | 2700             | 2000  |
| M33  | 900                     | 675   | 1150             | 850   | 1750                    | 1300  | 2200             | 1650  | 2500                    | 1850  | 3150             | 2350  | 2900                    | 2150  | 3700             | 2750  |
| M36  | 1150                    | 850   | 1450             | 1075  | 2250                    | 1650  | 2850             | 2100  | 3200                    | 2350  | 4050             | 3000  | 3750                    | 2750  | 4750             | 3500  |

DO NOT use these values if a different torque value or tightening procedure is given for a specific application. Torque values listed are for general use only. Check tightness of fasteners periodically.

Shear bolts are designed to fail under predetermined loads. Always replace shear bolts with identical property class.

Fasteners should be replaced with the same or higher property class. If higher property class fasteners are used, these should only be tightened to the strength of the original.

Make sure fasteners threads are clean and that you

properly start thread engagement. This will prevent them from failing when tightening.

Tighten plastic insert or crimped steel-type lock nuts to approximately 50 percent of the dry torque shown in the chart, applied to the nut, not to the bolt head. Tighten toothed or serrated-type lock nuts to the full torque value.

a "Lubricated" means coated with a lubricant such as engine oil, or fasteners with phosphate and oil coatings. "Dry" means plain or zinc plated without any lubrication.



# Index

|   |       |
|---|-------|
| 30839 - PTO Shaft - Primary Shaft for Manure Spreader N375-N600 . . . . .   | .5-2  |
| 30840 - PTO Slip Clutch for Manure Spreader . . . . .                       | .5-4  |
| 30841 - PTO Slip Clutch for Manure Spreader . . . . .                       | .5-6  |
| 30847-2 - 1 3/4" Spline Shaft Gearbox (9.278.760.00) . . . . .              | .6-6  |
| 30848 - Centre Gearbox (9.290.621.00). . . . .                              | .6-8  |
| 34001 - Apron Chain Gearbox - Up to SN 22NRS274 . . . . .                   | .6-2  |
| 39850 - PTO. 375,450,525,600,750 (V80-141P028359-028028-CV80-CLS) . . . . . | .5-8  |
| 39852 - PTO. 600, 750,275,725 (T60-086P265011-306028-CLS(2500NM) . . . . .  | 5-10  |
| 42409 - Beater Gearbox (Optional 1000RPM) . . . . .                         | 6-12  |
| 43856 - Beater Gearbox (Standard 540RPM) . . . . .                          | 6-10  |
| 49994 - CNM350 Apron Chain Gearbox - SN 23NRS201 - Current . . . . .        | .6-4  |
| Apron Runners . . . . .   | 2-40  |
| Beater Cross Beam (40684) - Up to SN 20NRS249 . . . . .                     | 2-22  |
| Beater Greaselines . . . . .  | 2-28  |
| Beaters (37590) - Up to SN 20NRS249 . . . . .                               | 2-20  |
| Beaters (46925) - SN 21NRS001 to Current . . . . .                          | 2-26  |
| Driveline - SN 16NS011 to Current . . . . .                                 | 2-12  |
| Driveline - Up to SN 16NS010 . . . . .                                      | 2-10  |
| Electric Flow Control Hydraulic Layout - Current . . . . .                  | 3-24  |
| Electric Flow Control Hydraulic Layout - Original . . . . .                 | 3-23  |
| Electric Flow Control Wiring . . . . .                                      | 3-25  |
| Endgate Indicator - 45861 . . . . .   | 3-26  |
| Endgate - SN 21NRS201 to Current . . . . .                                  | 2-18  |
| Endgate - Up to SN 20NRS249 . . . . .                                       | 2-16  |
| Floor & Side Boards . . . . .   | 2-32  |
| Flow Control Mounting . . . . .   | 3-21  |
| Front Apron Drive. . . . .  | .2-8  |
| Front Components . . . . .  | .2-2  |
| Front Shields- SN 16NS011 to Current . . . . .                              | .2-6  |
| Front Shields - Up to SN 16NS010 . . . . .                                  | .2-4  |
| Hitch Options . . . . .   | .3-2  |
| Hydraulic Layout . . . . .  | 2-42  |
| Hydraulic Light Kit - Up to SN 18NRS244 . . . . .                           | 3-11  |
| ISO Safety Decal Locations . . . . .  | . IX  |
| ISO Safety Decals . . . . .   | . X   |
| Light Kit Hydraulics - Up to SN 18NRS244 . . . . .                          | 3-12  |
| Light Kit Wiring Harness . . . . .  | 3-13  |
| Lights - Up to SN 18NRS244 . . . . .  | .3-8  |
| Manual Flow Control Hydraulic Layout . . . . .                              | 3-22  |
| Manual Light Kit - Up to SN 18NRS244 . . . . .                              | 3-10  |
| Manuals . . . . .   | . I   |
| Mechanical Light Kit (43622) - SN 19NRS200 to Current . . . . .             | .3-4  |
| Mechanical Light Kit (43622) - Up to SN 18NRS254 . . . . .                  | .3-6  |
| Model Decal Locations . . . . .   | . VII |
| Model Decals . . . . .  | .VIII |

|   |      |
|---|------|
| N375SB - Single Axle Brake Kit . . . . .                              | 3-14 |
| N375TB - Tandem Axle Brake Kit . . . . .                              | 3-15 |
| N750LC (GT400) / N750LCNT460 Scales . . . . .                         | 3-18 |
| N750LCNT560 Scales . . . . .  | 3-19 |
| N750LCNT8000 Scales . . . . .   | 3-20 |
| Nitro Apron Chain Warranty . . . . .                                  | I    |
| Optional Flange Paddle Kit (41504) - Up to SN 20NRS249 . . . . .      | 2-24 |
| Optional Flange Paddle Kit (47553) - SN 21NRS001 to Current . . . . . | 2-29 |
| Optional Kit Numbers . . . . .  | 3-1  |
| Parts Manual . . . . .  | I    |
| Poultry Beaters - Beaters . . . . .                                   | 4-5  |
| Poultry Beaters - Drivelines . . . . .                                | 4-7  |
| Poultry Beaters - Endgate . . . . .                                   | 4-3  |
| Poultry Beaters - Frame. . . . .                                      | 4-1  |
| Poultry Beaters - Spinners . . . . .                                  | 4-9  |
| Rear Apron Drive . . . . .  | 2-30 |
| Safety Decals . . . . .   | V    |
| Safety Decals . . . . .   | VI   |
| Safety Sign Locations . . . . .                                       | IV   |
| Scale Axle - Single . . . . .   | 3-16 |
| Scale Axle - Tandem . . . . .   | 3-17 |
| Section 2 - Parts Breakdowns & Lists . . . . .                        | 2-1  |
| Section 3 - Optional Features . . . . .                               | 3-1  |
| Section 4 - Option - Poultry Beaters . . . . .                        | 4-1  |
| Section 5 - PTOs . . . . .  | 5-1  |
| Section 6 - Gearboxes . . . . .                                       | 6-1  |
| Serial Number. . . . .  | I    |
| Side Shields - Up to SN 19NRS200 . . . . .                            | 2-14 |
| Single Axle . . . . .   | 2-34 |
| Tandem Axle - Optional Brake Compatible . . . . .                     | 2-38 |
| Tandem Axle - Standard. . . . .                                       | 2-36 |
| Torque Value Chart - Imperial . . . . .                               | IX   |
| Torque Value Chart - Metric . . . . .                                 | X    |
| Warranty and Limitation of Liability . . . . .                        | I    |



Scan with smartphone to  
download latest manual.

**TUBE•LINE™**